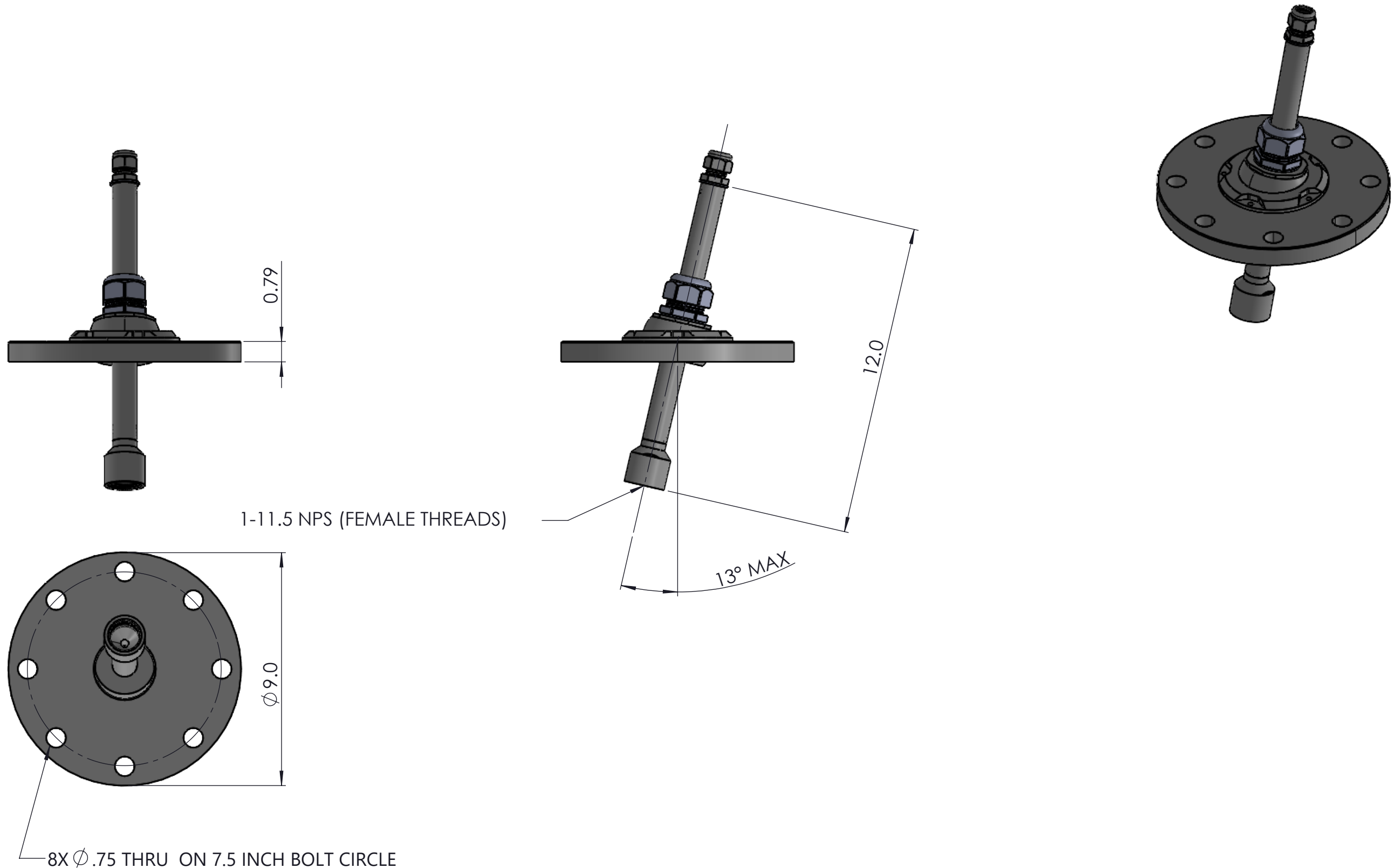


This drawing is the property of Garner Industries. It is issued in confidence on the condition that it is to be returned on request and that it is not to be copied or reproduced in any way, or used in the manufacture of the subject matter thereof without the written consent of Garner Industries.

DIMENSIONS ARE IN INCHES UNLESS NOTED OTHERWISE

BINMASTER

Division of Garner Industries / 2021 Transformation Dr, Suite 2230
Lincoln, NE 68508 / (402) 434-9102 \ www.binmaster.com



TITLE: SWVL-15.9S12 SWIVEL MT 4IN ANSI (9IN DIA.) FLANGE WITH 1IN NPS EXT PI

Model No.: SWVL-15

P/N: SWVL-15.9S12

DWG No.: 418-0301

MATERIAL: GF POLYPROPYLENE

REVISION
-

SHEET
1 of 1