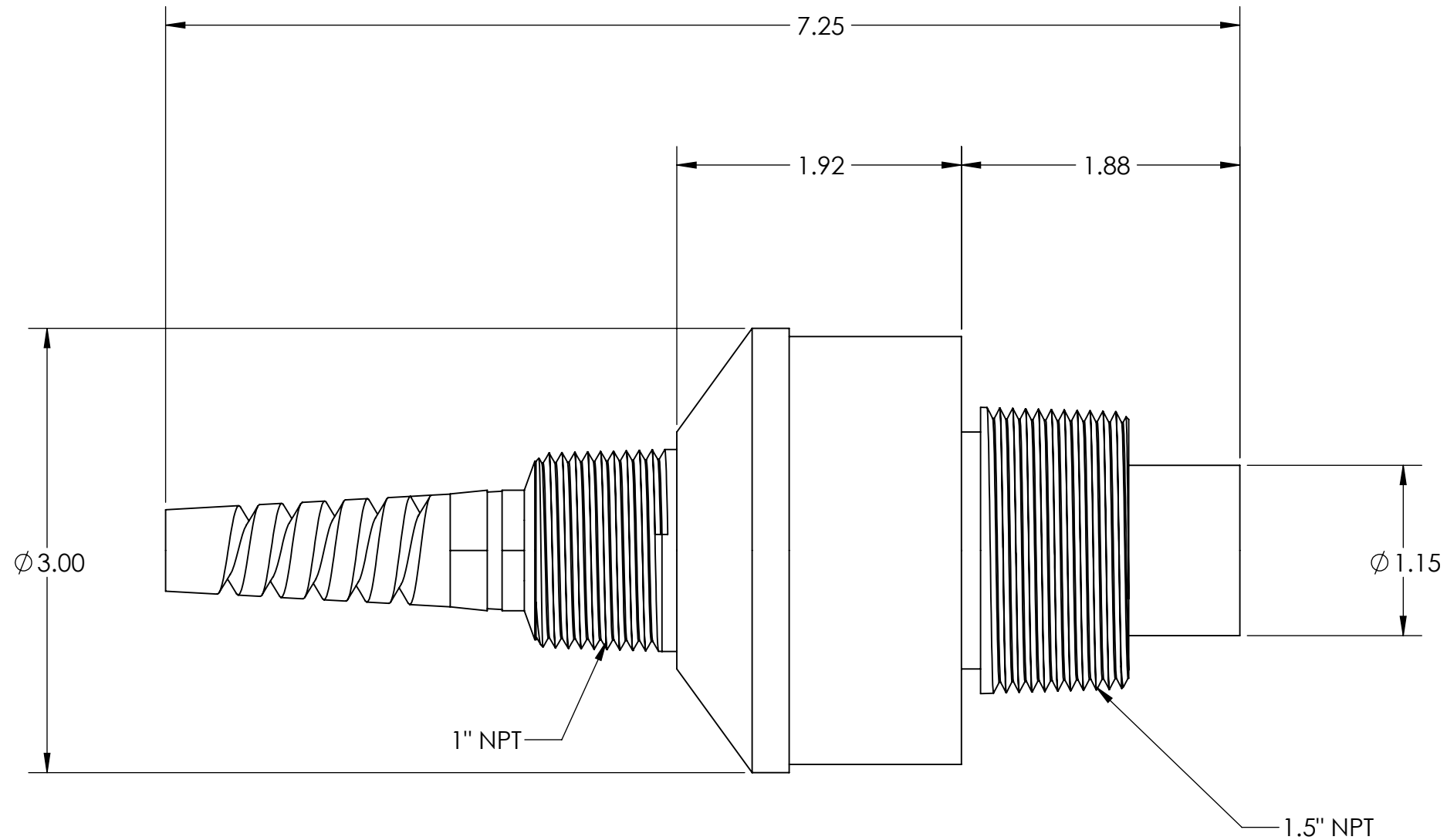


This drawing is the property of Garner Industries.
It is issued in confidence on the condition that it
is to be returned on request and that it is not to
be copied or reproduced in any way, or used in the
manufacture of the subject matter thereof without
the written consent of Garner Industries.

DIMENSIONS ARE IN INCHES UNLESS NOTED OTHERWISE

BINMASTER

Division of Garner Industries / 2021 Transformation Dr, Suite 2230
Lincoln, NE 68508 / (402) 434-9102 \ www.binmaster.com



TITLE: TOUGHSONIC 14, 1IN NPT 1.5IN NPT

Model No.: -

P/N: TS-200.14G__

DWG No.: 418-0313

MATERIAL:

REVISION
-

SHEET
1 of 1