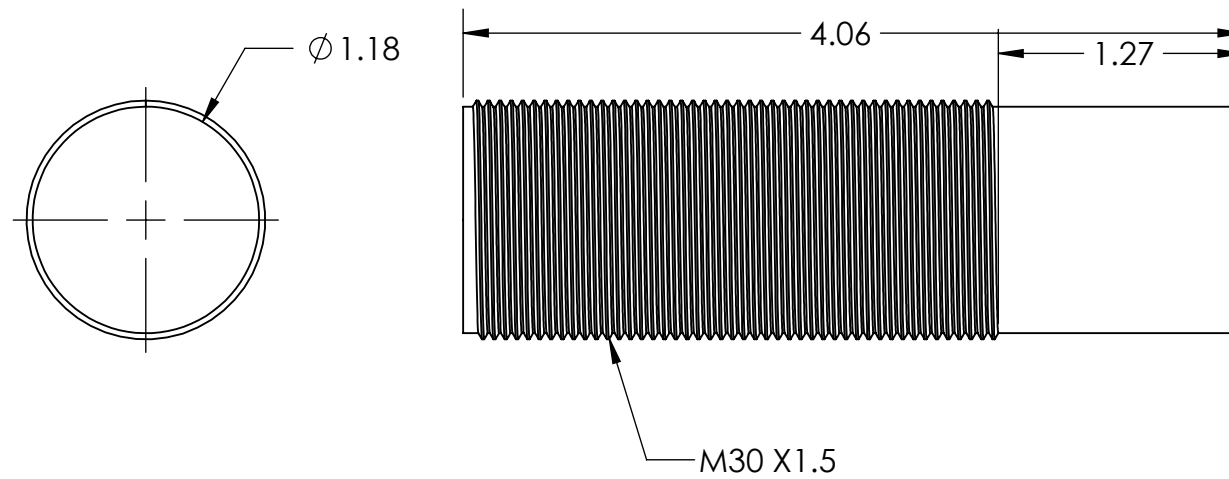


This drawing is the property of Garner Industries. It is issued in confidence on the condition that it is to be returned on request and that it is not to be copied or reproduced in any way, or used in the manufacture of the subject matter thereof without the written consent of Garner Industries.

DIMENSIONS ARE IN INCHES UNLESS NOTED OTHERWISE



Division of Garner Industries / 2021 Transformation Dr, Suite 2230
Lincoln, NE 68508 / (402) 434-9102 \ www.binmaster.com



TITLE: TOUGHSONIC 14 30MM

Model No.: -

P/N: TS-100.14A_ _ _

DWG No.: 418-0309

MATERIAL:

REVISION
-

SHEET
1 of 1