

This drawing is the property of Garner Industries. It is issued in confidence on the condition that it is to be returned on request and that it is not to be copied or reproduced in any way, or used in the manufacture of the subject matter thereof without the written consent of Garner Industries.

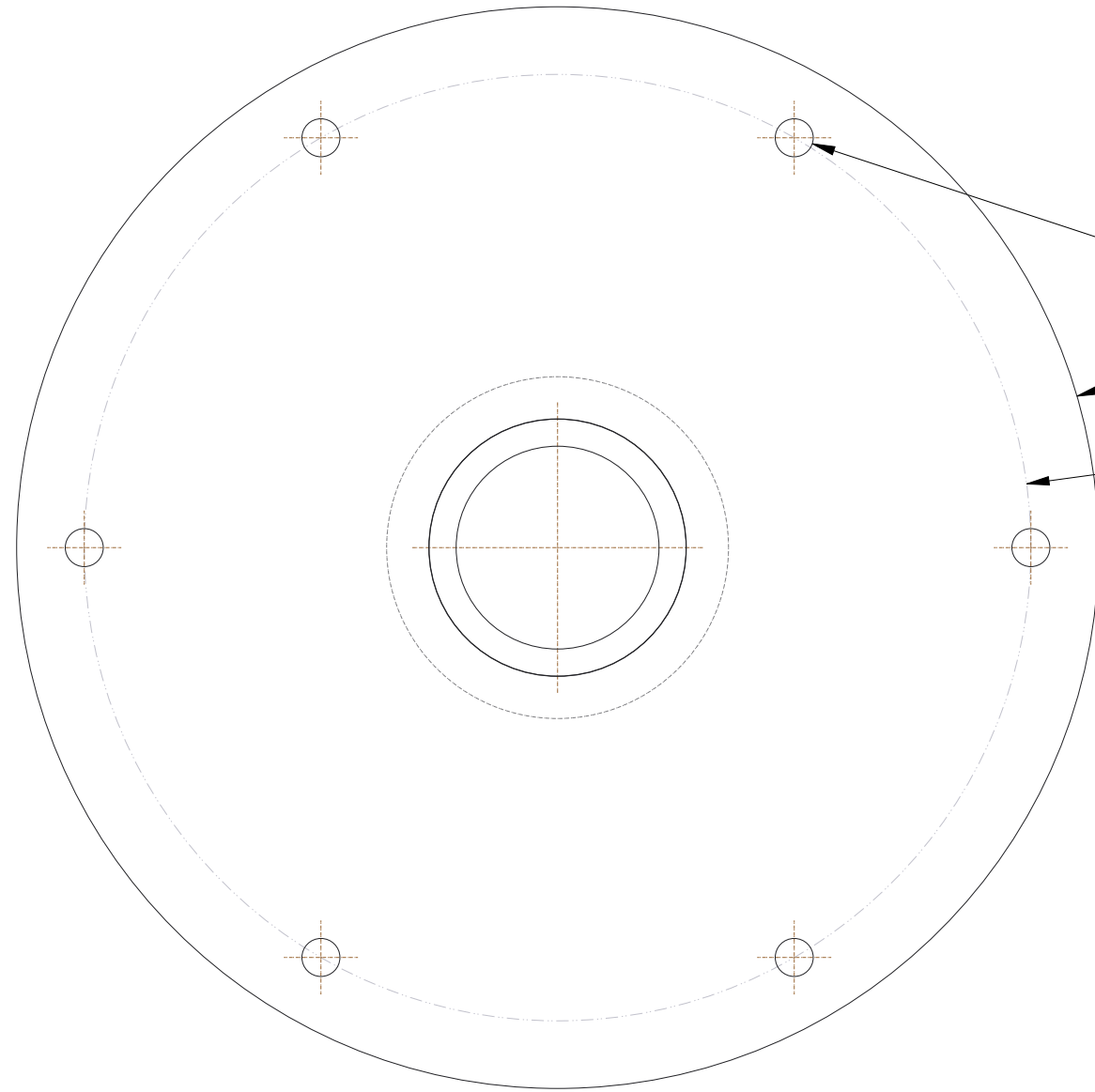
DIMENSIONS ARE IN INCHES UNLESS NOTED OTHERWISE



Division of Garner Industries / 7201 North 98th Street / Lincoln, NE 68507
(402) 434-9102 / fax (402) 434-9144 \ www.binmaster.com



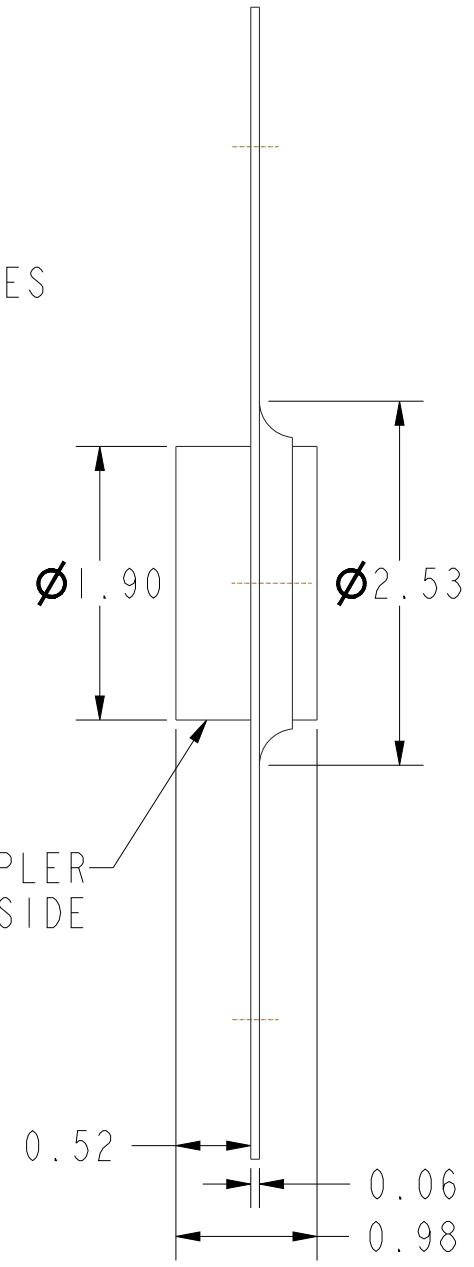
SCALE 0.500



$\varnothing 0.281$ THRU (6) HOLES

$\varnothing 8.00$

$\varnothing 7.00$ BOLT CIRCLE



$\varnothing 1.90$

$\varnothing 2.53$

1-1/4" NPT HALF COUPLER
THREADS THIS SIDE

0.52

0.06

0.98

SCALE 0.750

TITLE: MTG. DIM, MOUNT PLATE, GRMP-3

Model No.: GRMP-3

P/N: 416-0262

DWG No.: 418-0283

MATERIAL: 316 SS

REVISION

PAGE
1 OF 1