

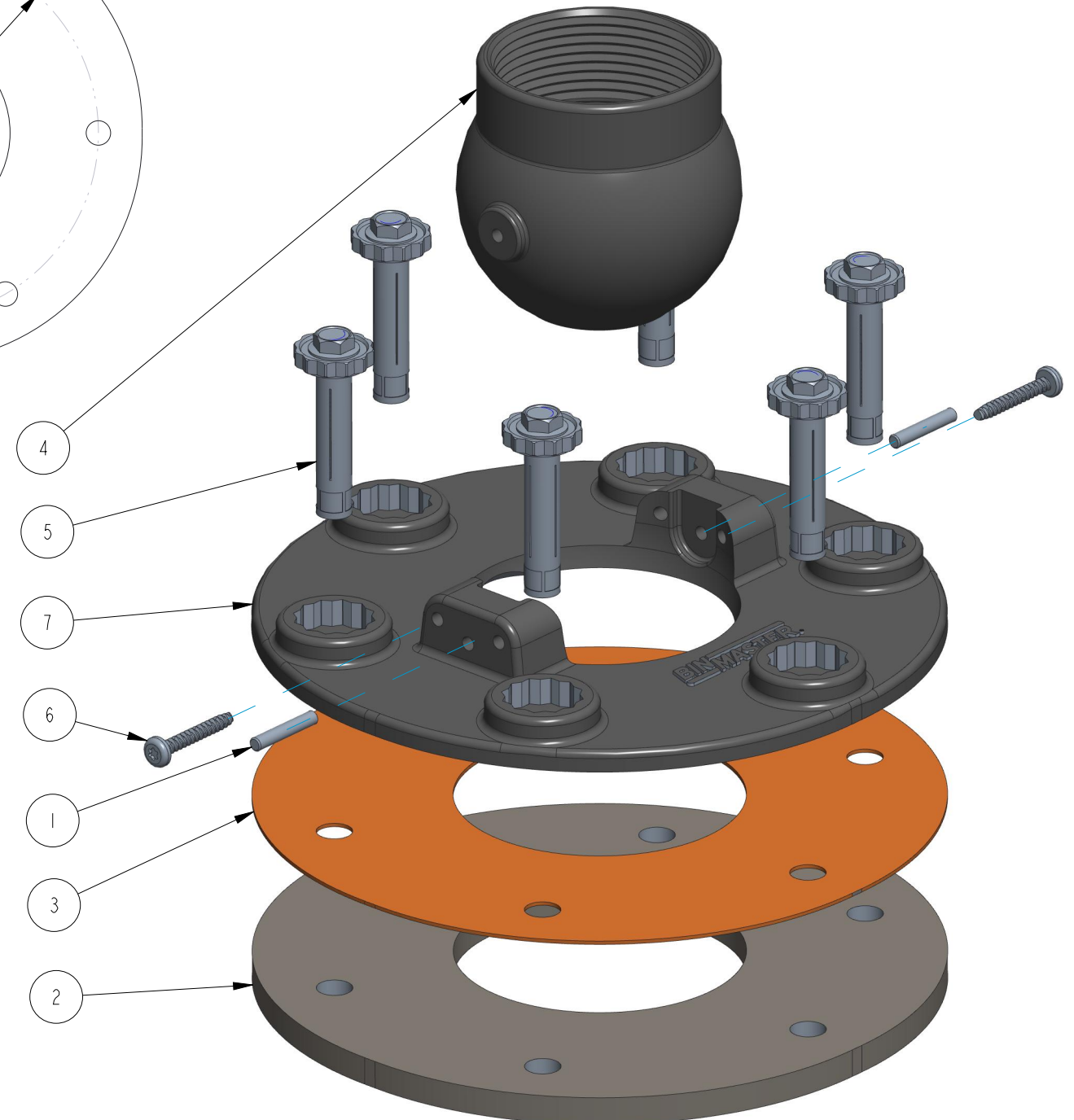
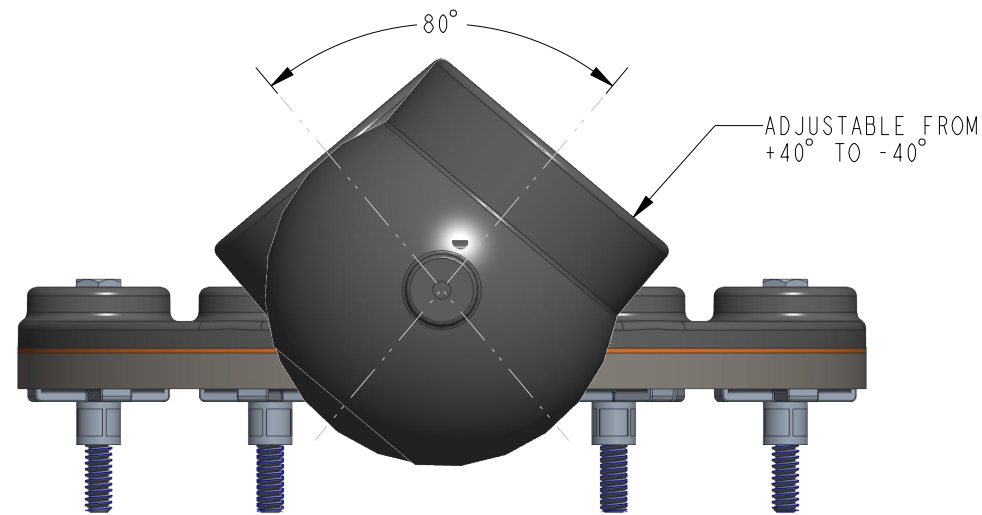
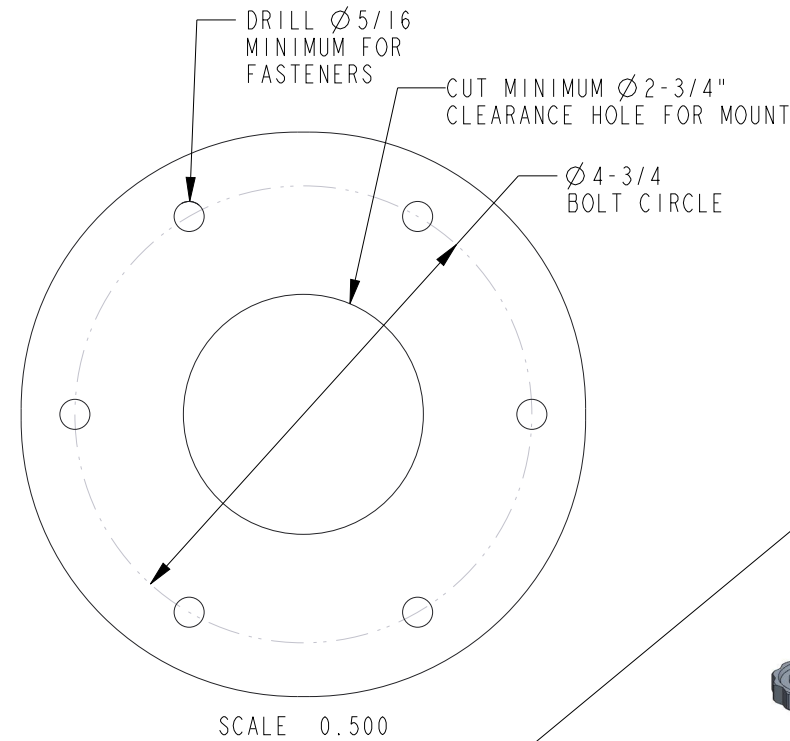
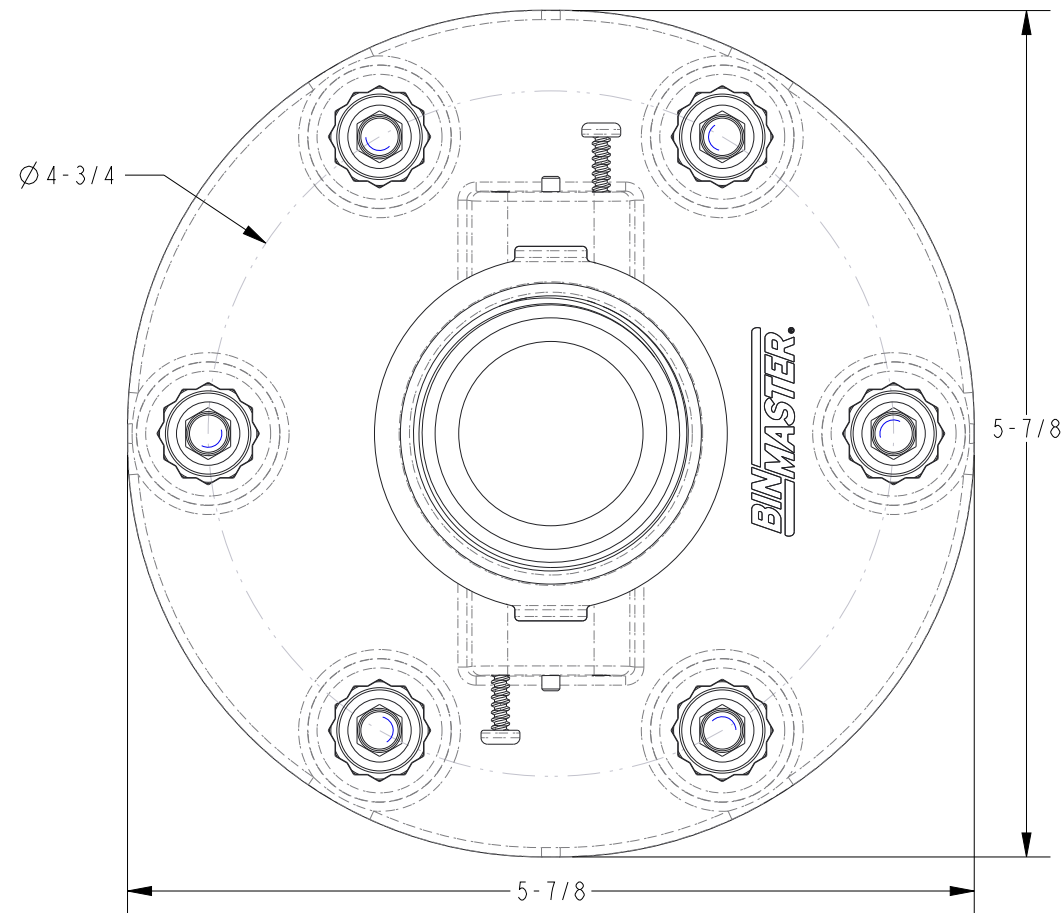
This drawing is the property of Gamer Industries. It is issued in confidence on the condition that it is to be returned on request and that it is not to be copied or reproduced in any way, or used in the manufacture of the subject matter thereof without the written consent of Gamer Industries.

DIMENSIONS ARE IN INCHES UNLESS NOTED OTHERWISE



Division of Gamer Industries / 7201 North 98th Street / Lincoln, NE 68507
(402) 434-9102 / fax (402) 434-9144 \ www.binmaster.com

ITEM	PART No.	DESCRIPTION	QTY.
1	150-0018	DOWEL PIN .125 X .75 LNG, SS	2
2	280-0099	GASKET, LASER MOUNT, THICK	1
3	280-0098	GASKET, LASER MOUNT, THIN	1
4	258-0118	PP, 10% GLASS FILLED POLIFIL GFPPCC-1010 BLACK	1
5	175-0269	RIVET, BLIND, FAB-LOK, .25-.5	6
6	175-0272	SCREW, PLASTICS, #6 X .875 LNG, SS, T15 TORX	2
7	258-0117	SPL-100, MNT, BASE	1



SCALE 0.750

REVISION A

TITLE: MTG., DIM, SWVL-40

Model No.: SWVL-40, 1-1/2 NPS

P/N: 416-0747

DWG No.: 418-0258

MATERIAL: POLYPROPYLENE

PAGE 1 OF 1