

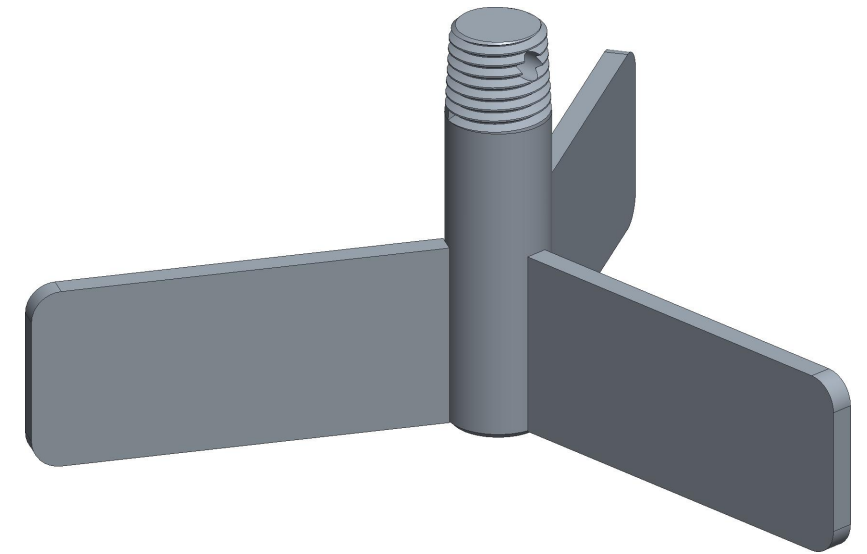
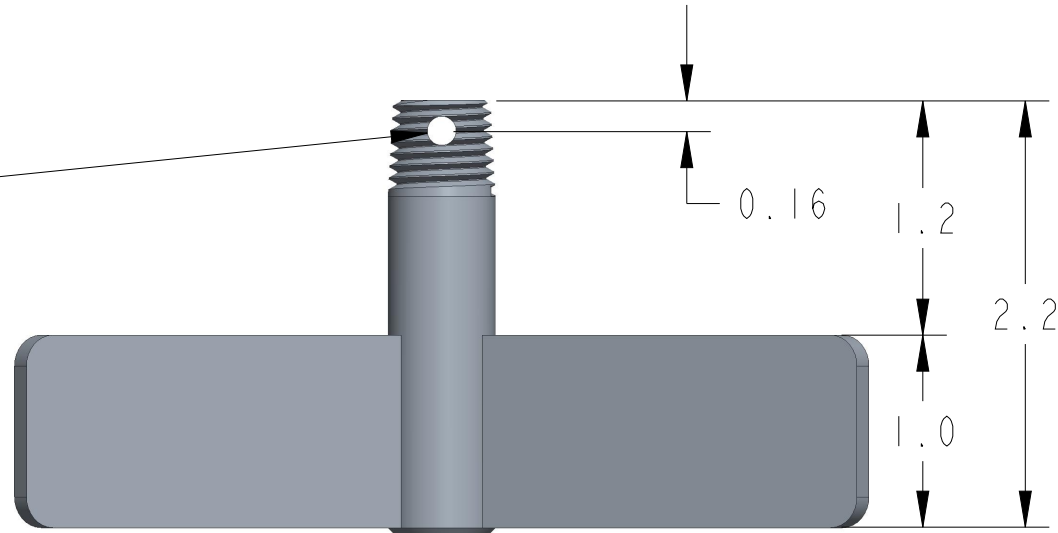
This drawing is the property of Garner Industries. It is issued in confidence on the condition that it is to be returned on request and that it is not to be copied or reproduced in any way, or used in the manufacture of the subject matter thereof without the written consent of Garner Industries.

DIMENSIONS ARE IN INCHES UNLESS NOTED OTHERWISE

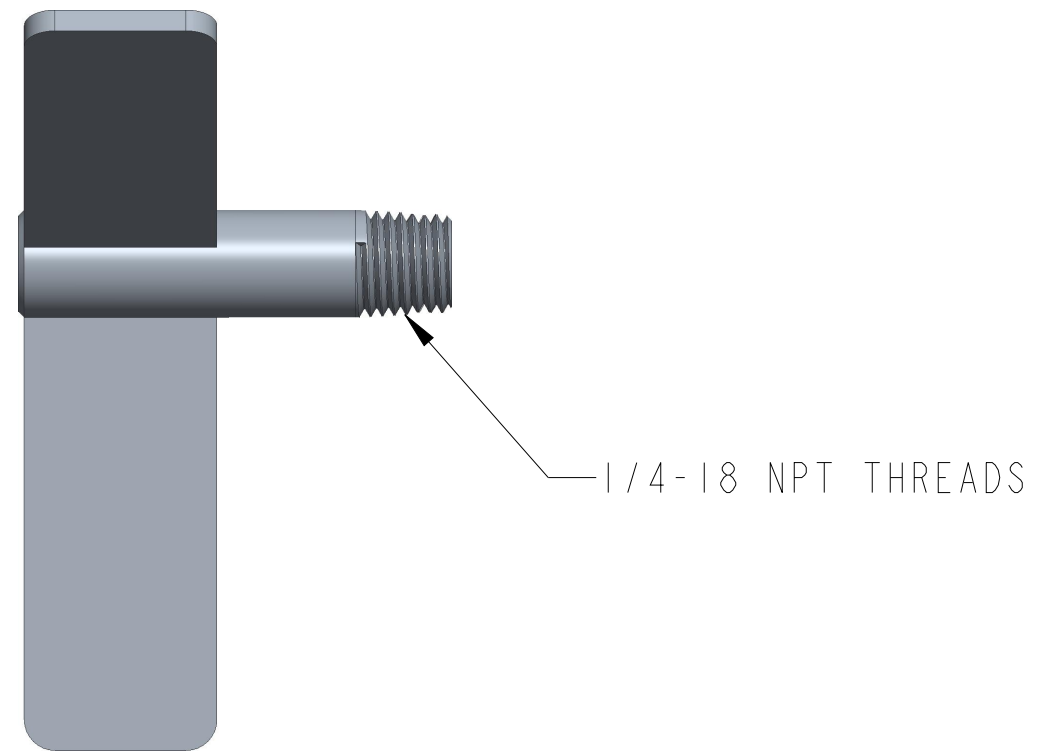
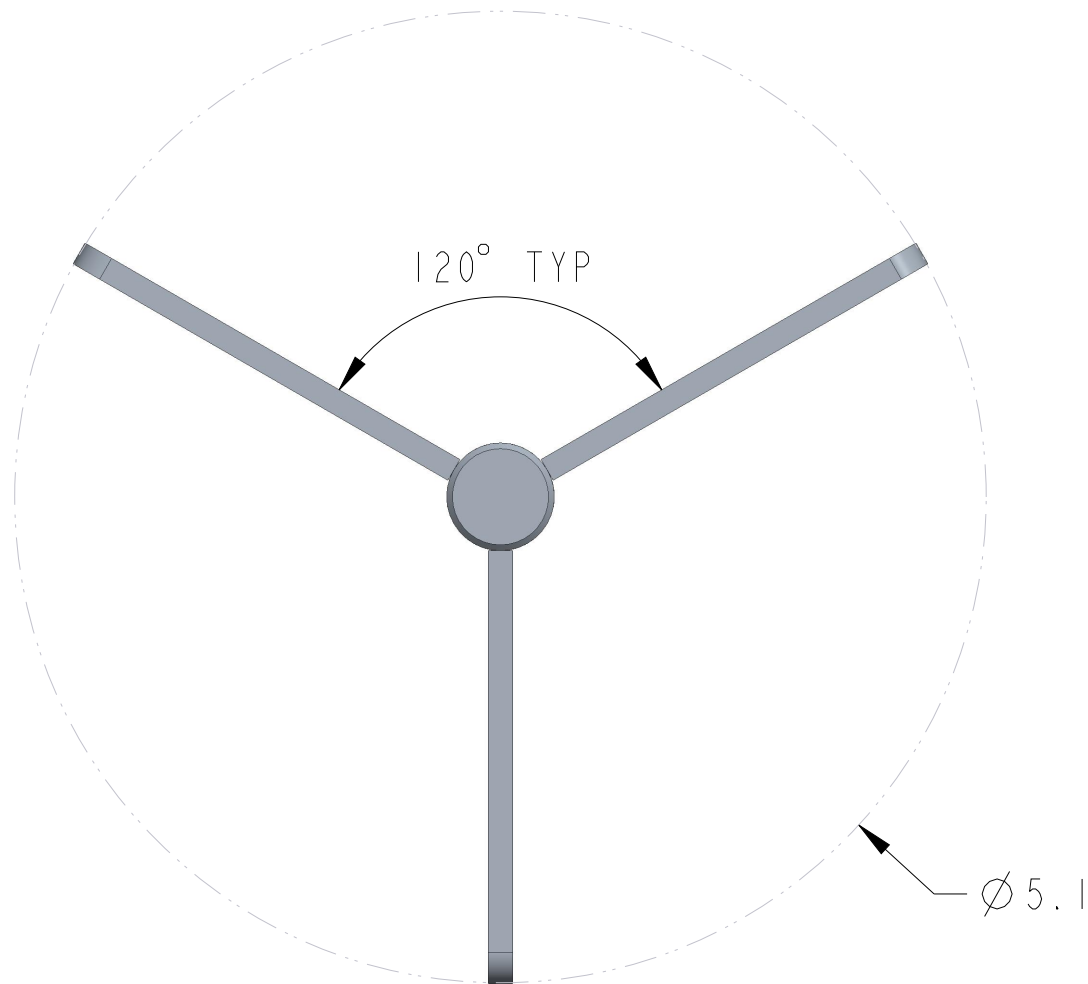


Division of Garner Industries / 7201 North 98th Street / Lincoln, NE 68507  
(402) 434-9102 / fax (402) 434-9144 \ www.binmaster.com

Ø 0.15 THRU  
FOR USE WITH  
Ø 1/8" ROLL PIN



SCALE 1.000



SCALE 1.000

REVISION  
A

TITLE: MTG DIM, PADDLE, GRP-22

Model No.: GRP-22

P/N: 416-0160

DWG No.: 418-0035

MATERIAL: 304 STAINLESS STEEL

PAGE  
1 OF 1