

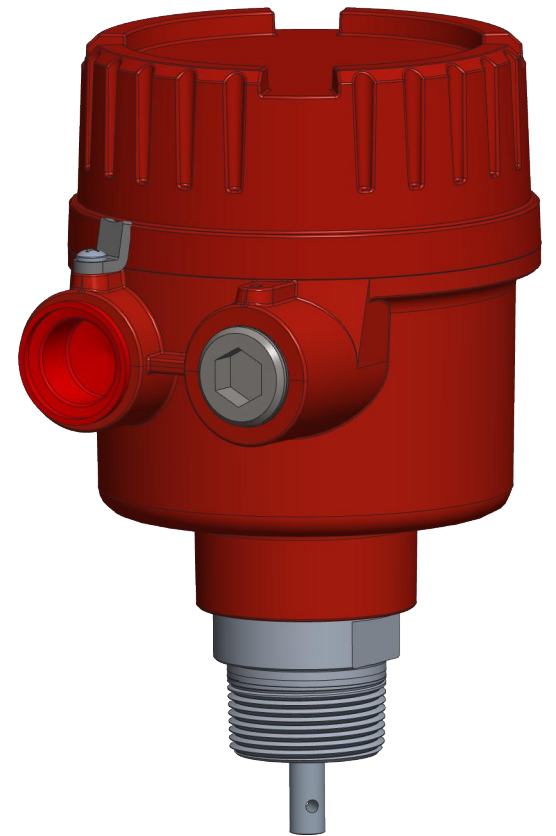
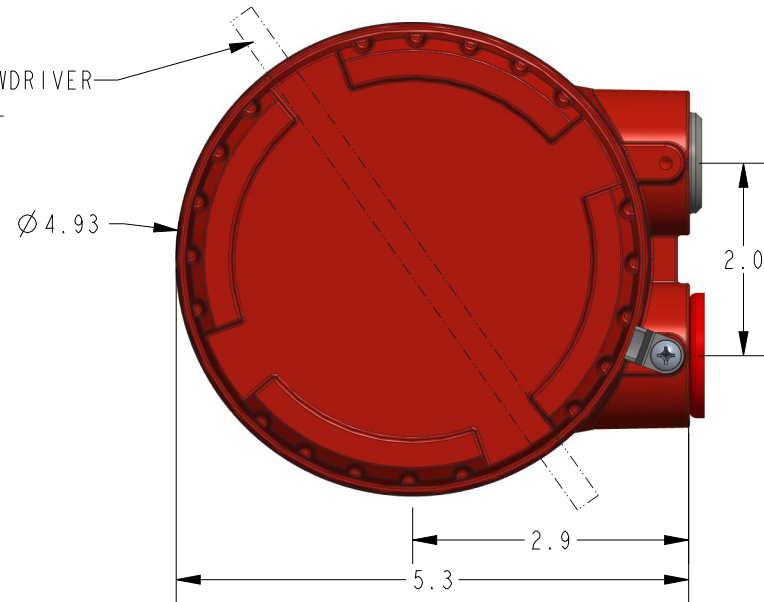
This drawing is the property of Garner Industries. It is issued in confidence on the condition that it is to be returned on request and that it is not to be copied or reproduced in any way, or used in the manufacture of the subject matter thereof without the written consent of Garner Industries.

DIMENSIONS ARE IN INCHES UNLESS NOTED OTHERWISE



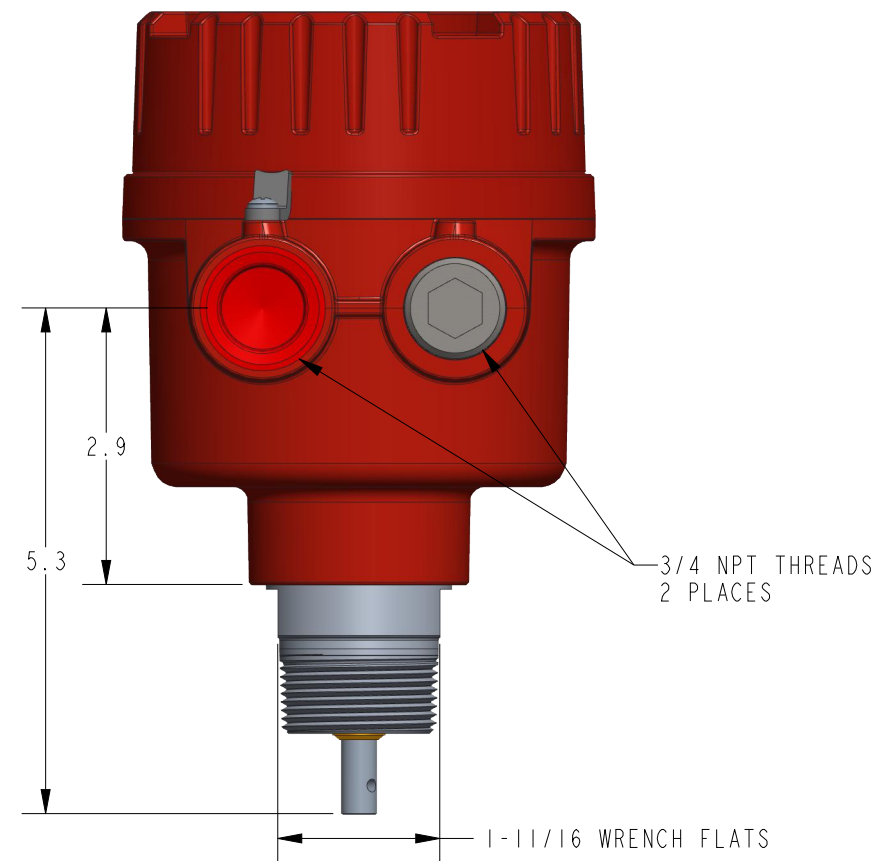
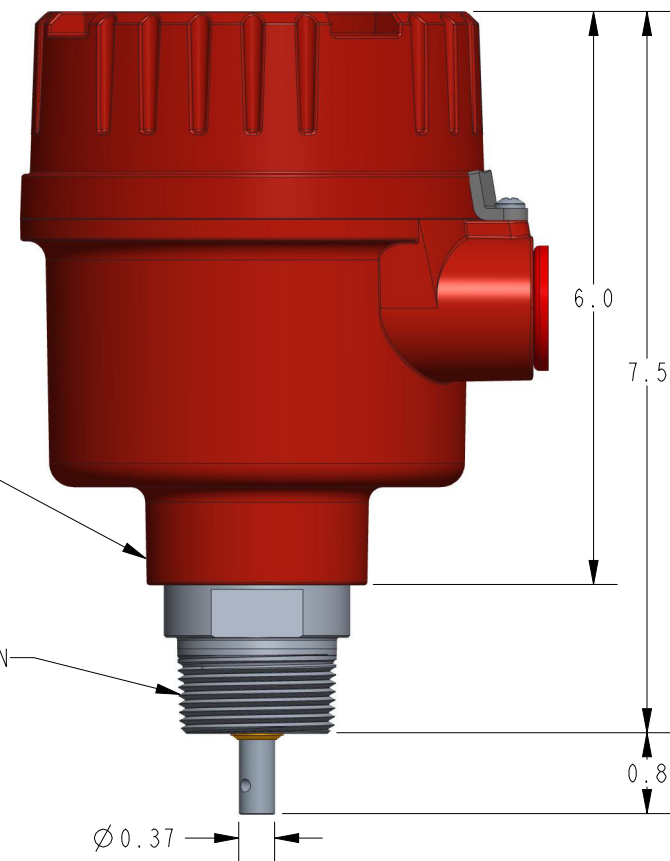
Division of Garner Industries / 7201 North 98th Street / Lincoln, NE 68507
(402) 434-9102 / fax (402) 434-9144 \ www.binmaster.com

FLAT BAR OR LONG SCREWDRIVER
CAN AID IN LID REMOVAL



ENCLOSURE BODY ROTATES INDEPENDENTLY
FROM PROCESS CONNECTION ALLOWING
CONDUIT ENTRIES TO BE POSITIONED
PROPERLY PER APPLICATION

1-1/4 OR 1-1/2" NPT PROCESS CONNECTION
IN EITHER ALUMINUM OR STAINLESS STEEL



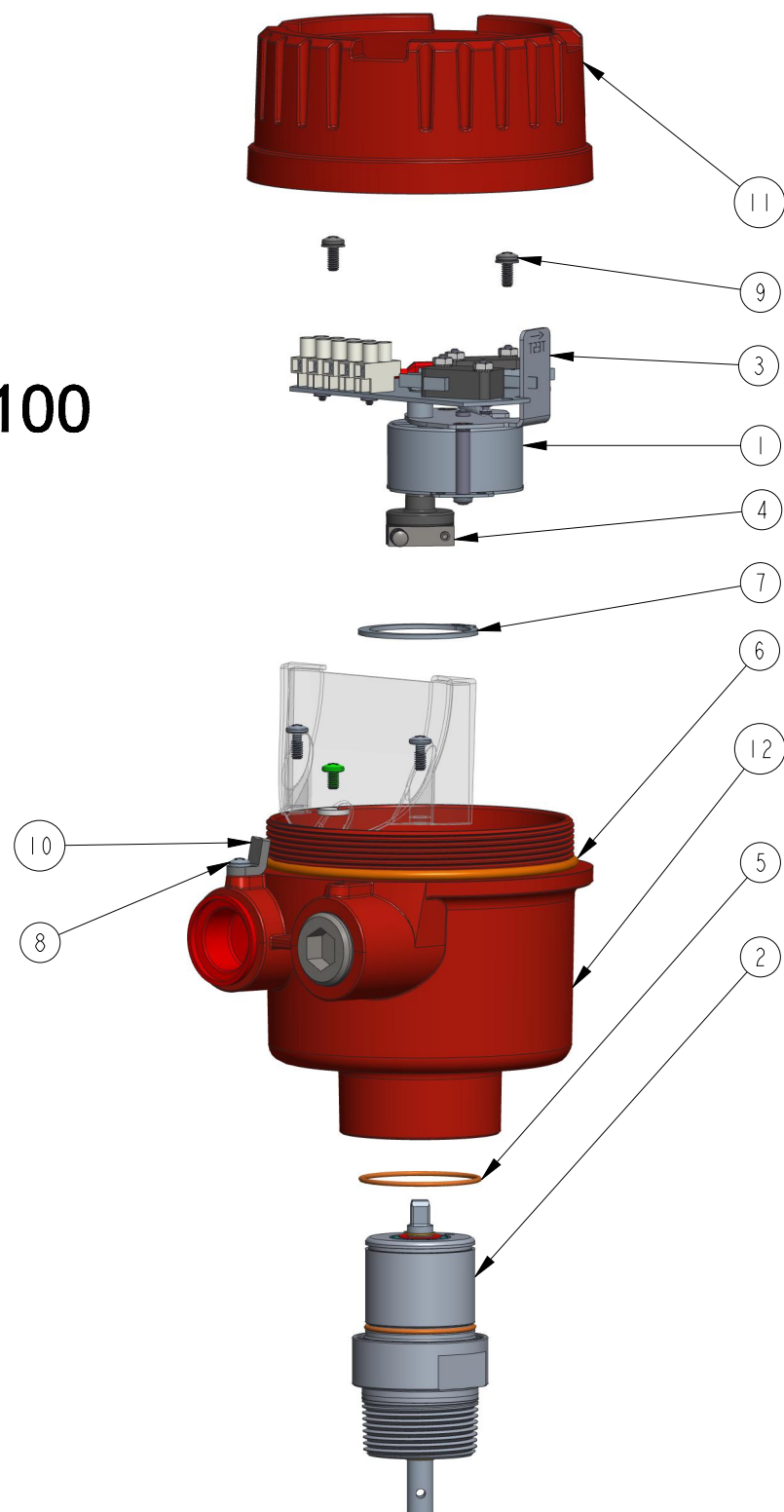
This drawing is the property of Garner Industries. It is issued in confidence on the condition that it is to be returned on request and that it is not to be copied or reproduced in any way, or used in the manufacture of the subject matter thereof without the written consent of Garner Industries.

DIMENSIONS ARE IN INCHES UNLESS NOTED OTHERWISE



Division of Garner Industries / 7201 North 98th Street / Lincoln, NE 68507
(402) 434-9102 / fax (402) 434-9144 \ www.binmaster.com

BMRX-100



Replacement Parts List

ITEM	PART No.	DESCRIPTION	QTY.
1	350-0068	BMRX 115 VAC MOTOR	1
1	350-0069	BMRX 220 VAC MOTOR	1
1	350-0070	BMRX 24 VAC MOTOR	1
2	416-0785-R	ASS'Y, 1-1/4 SS ROTARY PROCESS CONNECTION	1
2	416-0803-R	ASS'Y, 1-1/2 SS ROTARY PROCESS CONNECTION	1
2	416-0804-R	ASS'Y, 1-1/4 AL ROTARY PROCESS CONNECTION	1
2	416-0805-R	ASS'Y, 1-1/2 AL ROTARY PROCESS CONNECTION	1
2	416-0806-R	ASS'Y, 1-1/4 SS ROTARY PROCESS CONNECTION W/ INTERNAL 1" NPS	1
2	416-0807-R	ASS'Y, 1-1/2 SS ROTARY PROCESS CONNECTION W/ INTERNAL 1" NPS	1
2	416-0808-R	ASS'Y, 1-1/4 AL ROTARY PROCESS CONNECTION W/ INTERNAL 1" NPS	1
2	416-0809-R	ASS'Y, 1-1/2 AL ROTARY PROCESS CONNECTION W/ INTERNAL 1" NPS	1
2	416-0817-R	ASS'Y, 1-1/4 SS FERTILIZER PROCESS CONNECTION	1
2	416-0718-R	ASS'Y, 1-1/2 SS FERTILIZER PROCESS CONNECTION	1
2	416-0825-R	ASS'Y, 2 SS TRI-CLOVER ROTARY PROCESS CONNECTION	1
2	416-0826-R	ASS'Y, 1-1/2 BSPT AL ROTARY PROCESS CONNECTION	1
3	416-0810-R	ASS'Y, BMRX-100 115VAC ELECTRO-MECHANICAL	1
3	416-0811-R	ASS'Y, BMRX-100 220VAC ELECTRO-MECHANICAL	1
3	416-0812-R	ASS'Y, BMRX-100 24VAC ELECTRO-MECHANICAL	1
4	416-0799	ASS'Y, ROTARY DETENT CLUTCH	1
5	203-0089	O'RING, SILICONE, #030	1
6	203-0080	O'RING, SILICONE, #244	1
7	165-0040	RING, EXTERNAL RET 1-5/16 SHAFT DIA. SS	1
8	110-0013	SCREW, PANHD 8-32 X 5/16 PHIL., SS	1
9	110-0143	SCREW, PANHD 8-32 X 3/8 PHIL. SS. SEMS	3
10	299-0679	TAB, LOCKING, PROBE ENCLOSURE	1
11	220-0480-R	ENCLOSURE, PAINTED CAP, BMRX-X00	1
12	220-0482	ENCLOSURE, PAINTED BODY, BMRX-X00	1

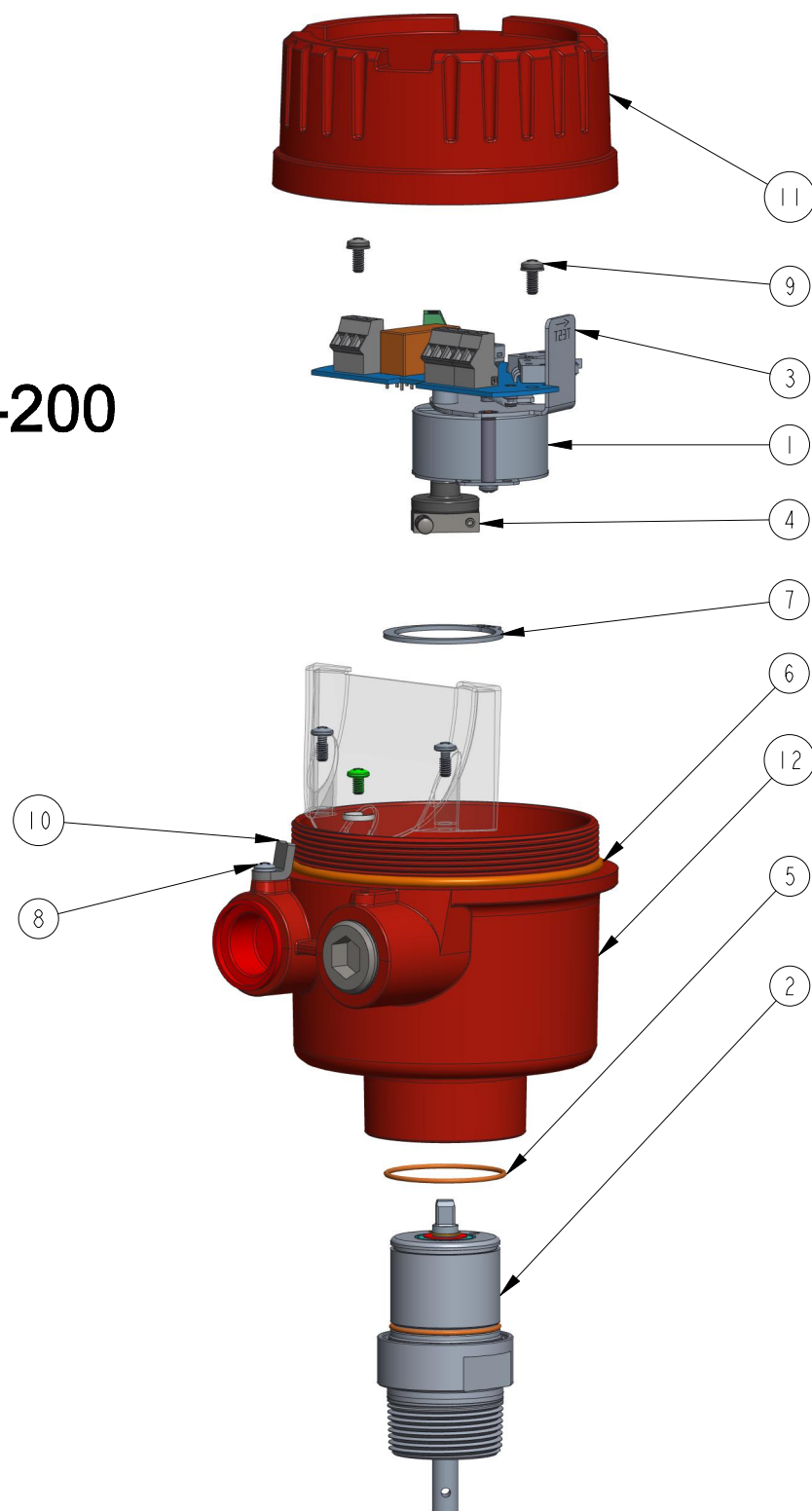
This drawing is the property of Garner Industries. It is issued in confidence on the condition that it is to be returned on request and that it is not to be copied or reproduced in any way, or used in the manufacture of the subject matter thereof without the written consent of Garner Industries.

DIMENSIONS ARE IN INCHES UNLESS NOTED OTHERWISE



Division of Garner Industries / 7201 North 98th Street / Lincoln, NE 68507
(402) 434-9102 / fax (402) 434-9144 \ www.binmaster.com

BMRX-200



Replacement Parts List

ITEM	PART No.	DESCRIPTION	QTY.
1	350-0068	BMRX 115 VAC MOTOR	1
1	350-0069	BMRX 220 VAC MOTOR	1
1	350-0070	BMRX 24 VAC MOTOR	1
1	350-0071	BMRX 6 VAC, FOR BMRX-200 VDC	1
2	416-0785-R	ASS'Y, 1-1/4 SS ROTARY PROCESS CONNECTION	1
2	416-0803-R	ASS'Y, 1-1/2 SS ROTARY PROCESS CONNECTION	1
2	416-0804-R	ASS'Y, 1-1/4 AL ROTARY PROCESS CONNECTION	1
2	416-0805-R	ASS'Y, 1-1/2 AL ROTARY PROCESS CONNECTION	1
2	416-0806-R	ASS'Y, 1-1/4 SS ROTARY PROCESS CONNECTION W/ INTERNAL 1" NPS	1
2	416-0807-R	ASS'Y, 1-1/2 SS ROTARY PROCESS CONNECTION W/ INTERNAL 1" NPS	1
2	416-0808-R	ASS'Y, 1-1/4 AL ROTARY PROCESS CONNECTION W/ INTERNAL 1" NPS	1
2	416-0809-R	ASS'Y, 1-1/2 AL ROTARY PROCESS CONNECTION W/ INTERNAL 1" NPS	1
2	416-0817-R	ASS'Y, 1-1/4 SS FERTILIZER PROCESS CONNECTION	1
2	416-0818-R	ASS'Y, 1-1/2 SS FERTILIZER PROCESS CONNECTION	1
2	416-0825-R	ASS'Y, 2 SS TRI-CLOVER ROTARY PROCESS CONNECTION	1
2	416-0826-R	ASS'Y, 1-1/2 BSPT AL ROTARY PROCESS CONNECTION	1
3	416-0786-R	ASS'Y, BMRX-200 115VAC ELECTRO-MECHANICAL	1
3	416-0787-R	ASS'Y, BMRX-200 230VAC ELECTRO-MECHANICAL	1
3	416-0800-R	ASS'Y, BMRX-200 24VDC ELECTRO-MECHANICAL	1
3	416-0813-R	ASS'Y, BMRX-200 24VAC ELECTO-MECHANICAL	1
4	416-0799	ASS'Y, ROTARY DETENT CLUTCH	1
5	203-0089	O'RING, SILICONE, #030	1
6	203-0080	O'RING, SILICONE, #244	1
7	165-0040	RING, EXTERNAL RET 1-5/16 SHAFT DIA. SS	1
8	110-0013	SCREW, PANHD 8-32 X 5/16 PHIL., SS	1
9	110-0143	SCREW, PANHD 8-32 X 3/8 PHIL. SS. SEMS	3
10	299-0679	TAB, LOCKING, PROBE ENCLOSURE	1
11	220-0480-R	ENCLOSURE, PAINTED CAP, BMRX-X00	1
12	220-0482	ENCLOSURE, PAINTED BODY, BMRX-X00	1