

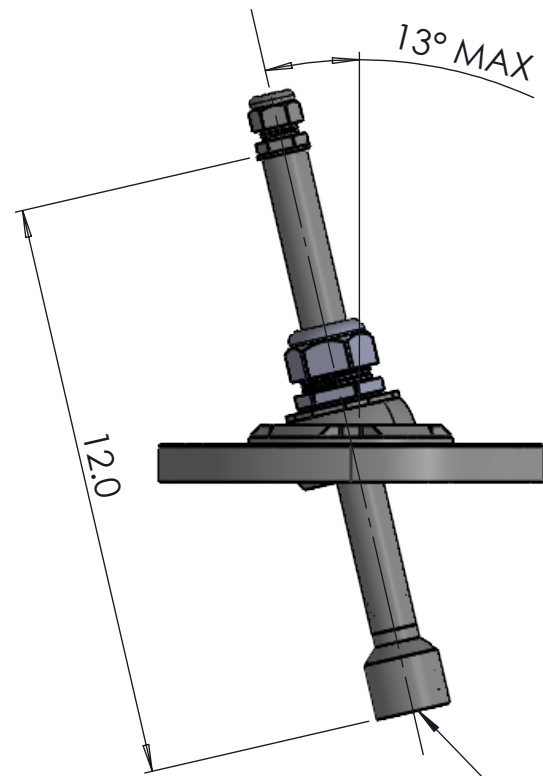
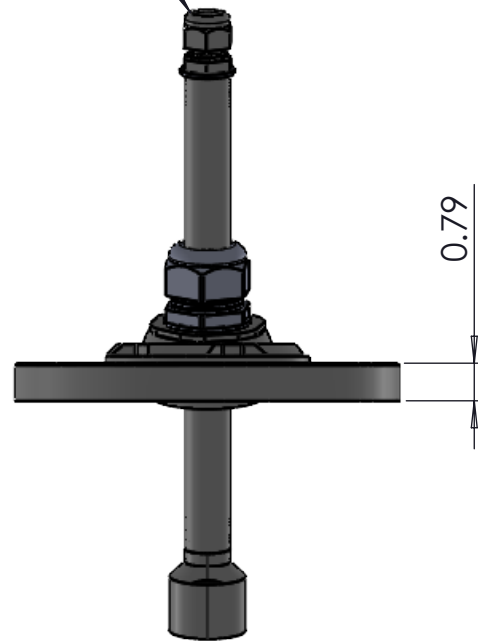
This drawing is the property of Garner Industries. It is issued in confidence on the condition that it is to be returned on request and that it is not to be copied or reproduced in any way, or used in the manufacture of the subject matter thereof without the written consent of Garner Industries.

DIMENSIONS ARE IN INCHES UNLESS NOTED OTHERWISE

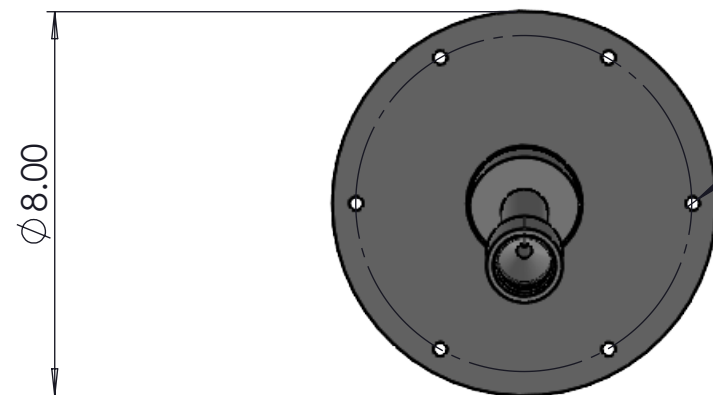
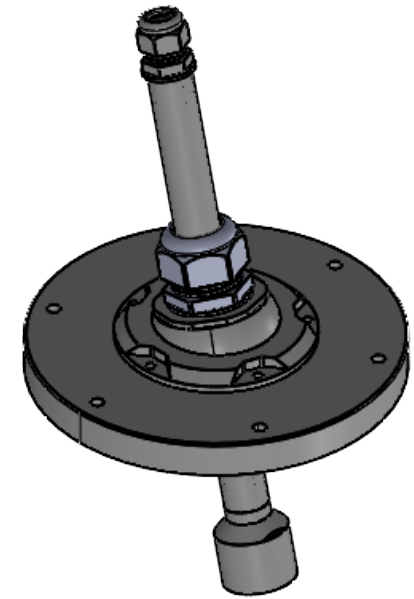
# BINMASTER

Division of Garner Industries / 2021 Transformation Dr, Suite 2230  
Lincoln, NE 68508 / (402) 434-9102 \ www.binmaster.com

CORD GRIP



1-11.5 NPS (FEMALE THREADS)



6X Ø0.28 THRU ON 7 INCH BOLT CIRCLE