

BINMASTER QUICK SETUP GUIDE

BCGW.XXXXE-WL-19 & SMARTBOB

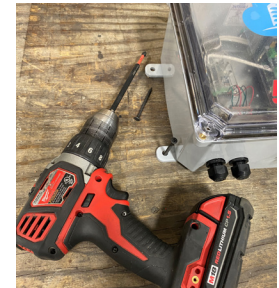
BIN CLOUD GATEWAY



Tools needed: drill and bit, phillips screwdriver, drywall/ wood screws, ethernet cable, pliers. Screws and plastic plugs, A1, can be used to secure the top cover.

STEP 1
Choose a wall location to mount your Gateway. Make sure there is access to a 120VAC outlet and an ethernet connection.

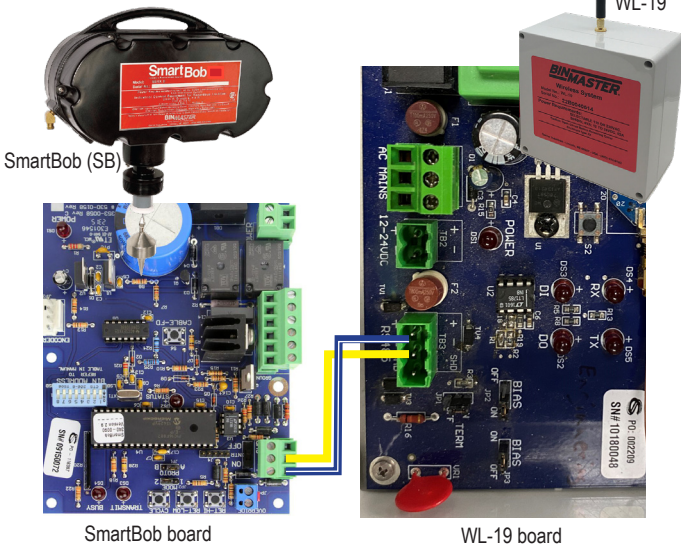
STEP 2
Attach mount brackets to the enclosure with the included screws. Brackets fit on protruding screwholes on the back of the enclosure. Then, use drywall screws and attach unit to the wall.



STEP 3 -- Wire WL-19 to SmartBob
Unscrew covers on WL-19 and SmartBob to reveal interior PC boards.

- Connect SmartBob RS485 (+) to WL-19 RS485 (+)
- Connect SmartBob RS485 (-) to WL-19 RS485 (-)

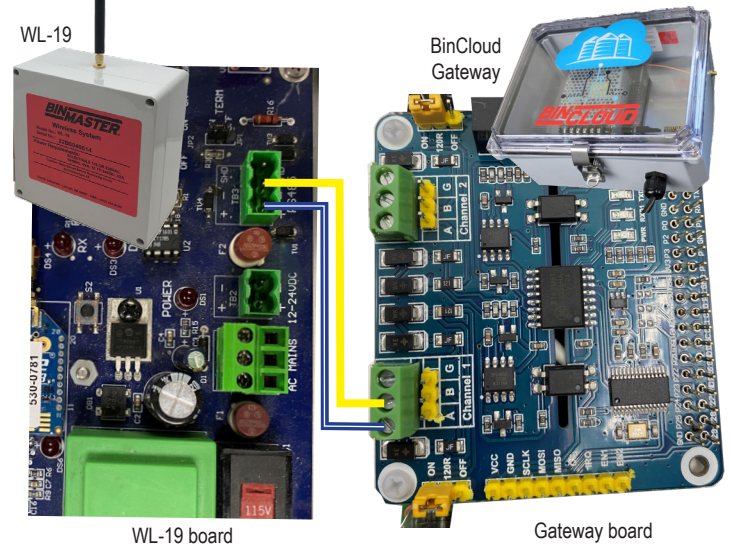
(note: WL-19 (SHD) can connect to SmartBob (SHD) but not required.)



STEP 4 --Wire a WL-19 to BinCloud Gateway
Unscrew covers on WL-19 and open BinCloud Gateway cover to reveal interior PC boards.

- Connect WL-19 RS485(+) to Gateway Channel 1 (A)
- Connect WL-19 RS485(-) to Gateway Channel 1 (B)

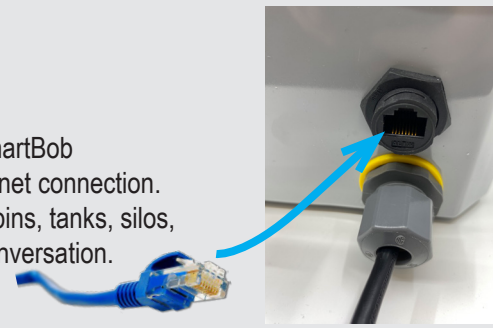
(note WL-19 (SHD) can connect to Gateway Channel 1 (G) but not required.)





STEP 5 PLUG IN!

- Double check connections from Step 3 and 4 and replace covers.
- Connect the Gateway ethernet plug to a network port, router or switch.
- Plug Gateway units into the 120VAC outlet and power on WL-19s and SmartBob
- Wait 25 minutes and call BinMaster at 1-800-278-4241 to confirm the internet connection. BinMaster will create a custom cloud page using measurements from your bins, tanks, silos, etc. Check the worksheet on following pages so you can prepare for this conversation.



FIREWALL RULES FOR BINCLOUD GATEWAY

Direction Outbound	Ports	For these IPS	IP Addresses
TCP	80, 433		All
UDP	5959-5961		52.38.107.102
			52.25.64.249
			34.221.219.221
			54.218.6.237
UDP	5959-5970		52.39.255.60
			54.71.174.229
			52.88.4.160
			34.217.159.41
			34.213.84.184
			52.43.176.61
			35.162.54.59
			52.42.122.172
			44.224.165.129
			44.226.176.44
			44.237.66.197
			44.238.4.218
			54.184.44.101
			44.228.115.25
			44.230.239.2
			44.236.20.68
			44.236.200.9
			44.236.76.190
			44.239.243.92
			44.240.35.27

Direction Outbound	Ports	Region	IP Addresses
UDP	20000-40000	USA	All
UDP			54.212.116.92
UDP			52.12.114.120
UDP			52.87.228.243
UDP			3.88.21.119
UDP			34.223.7.202
UDP		Europe	54.93.100.223
UDP			18.195.88.21
UDP			18.184.70.5
UDP		India	15.207.116.15
UDP			13.127.230.228
UDP		SE Asia	13.212.70.205
UDP			13.212.30.222
UDP		Asia	18.182.42.125
UDP			13.230.250.171
UDP			18.179.34.24
UDP		Japan	52.69.206.76
UDP			18.179.57.238

Wired Connections/Schematic from Step 3 & 4

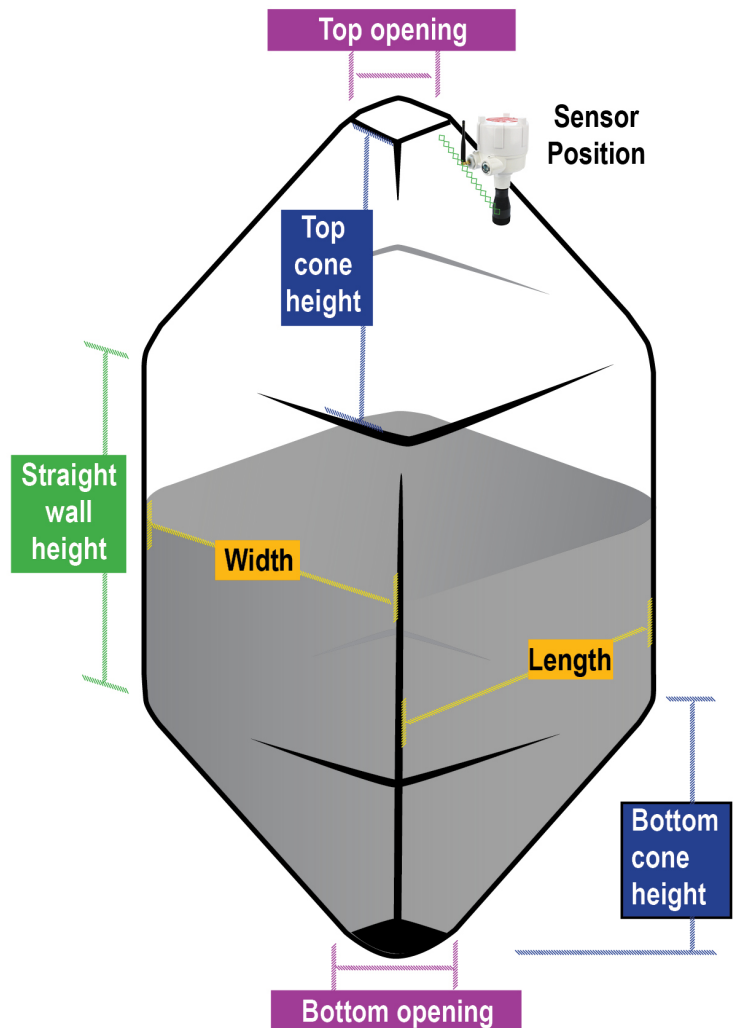
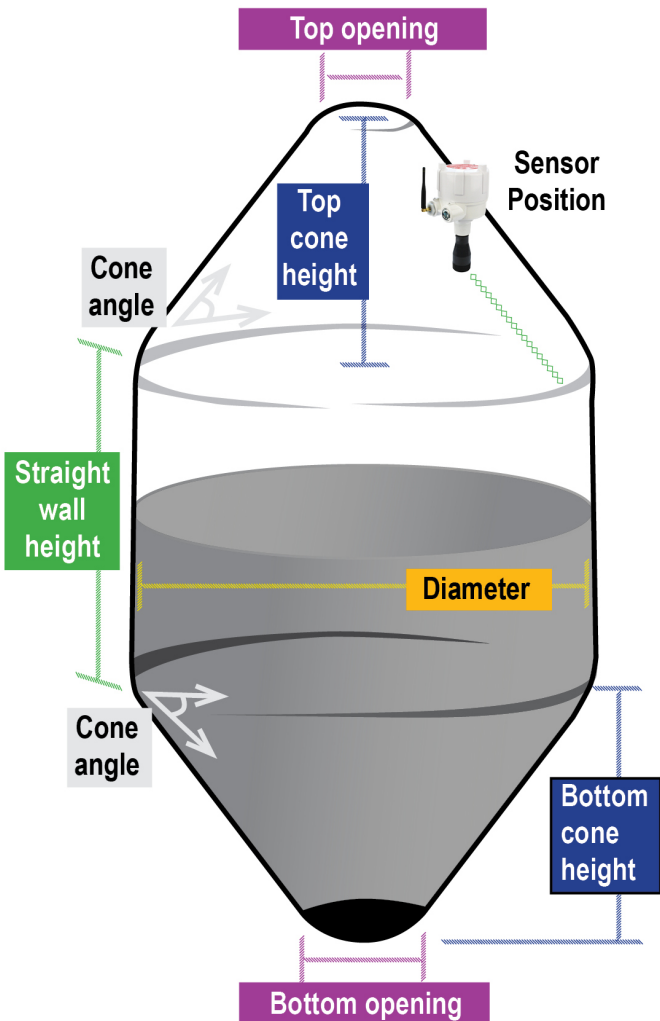
BinCloud Gateway	WL-19	WL-19	SmartBob
Channel 1 (A)	RS485 (+)	RS485 (+)	RS485(+)
Channel 1 (B)	RS485 (-)	RS485 (-)	RS485 (-)
G	SHD	SHD	G (not required)

Measuring a Vessel | Get Ready for BinCloud

In order to calculate material from level readings, we set up BinCloud software with your vessel dimensions. Bins, silos, and tanks vary greatly, so you'll need to provide physical measurements to BinMaster. Here's a handy guide to prepare for the BinMaster call:

Vessel Manufacturer _____ Model # _____ Other ID # _____
(if available from paperwork or plate on vessel)

Straight Wall Height: _____	Top Cone Height: _____	Sensors 4-20mA
Diameter*: _____	Bottom Cone Height: _____	4mA Distance Setting (empty): _____
Width*: _____	Bottom Opening: width: _____ length: _____	20mA Distance Setting (full): _____
Length*: _____	Top Opening: width: _____ length: _____	<i>Many measurements are available through vessel manuals and similar paperwork. Try searching model number and manufacturer name before pulling out your tape measure. * indicates this measurement needed only if applicable to the vessel shape (see illustration above)</i>
Top Cone Angle*: _____	Sensor Position _____	
Bottom Cone Angle*: _____	Capacity _____	



MORE CONFIGURATIONS →

Measuring a Vessel | Get Ready for BinCloud

