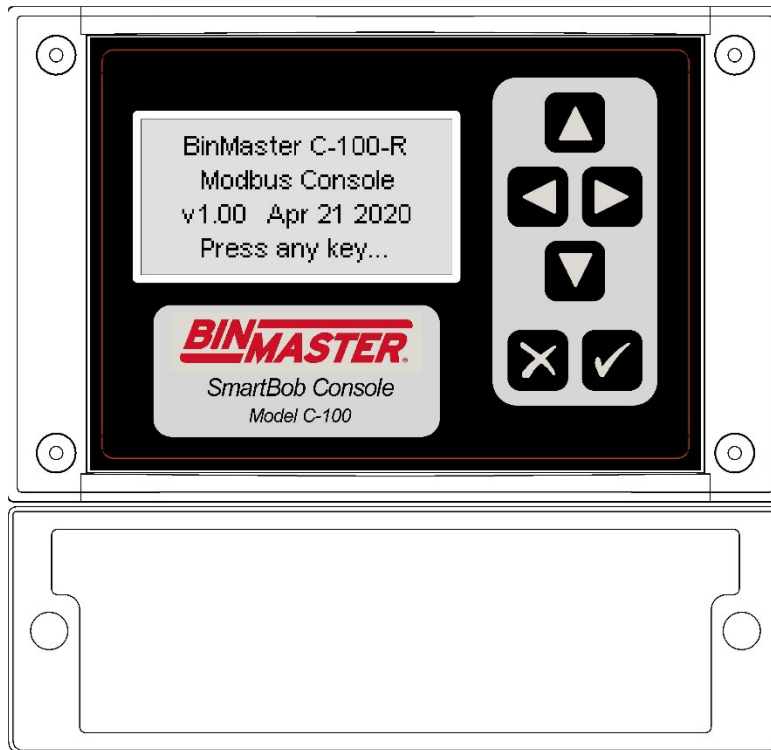




## Model C-100-R Modbus Console



### **OPERATORS MANUAL**

Please read thoroughly before installation and operation.



Division of Garner Industries  
7201 North 98<sup>th</sup> Street  
Lincoln, NE 68507-9741  
(402) 434-9102

(this page intentionally left blank)

# TABLE OF CONTENTS

SAFETY SUMMARY.....	4
1.0 INTRODUCTION.....	5
2.0 SPECIFICATIONS.....	5
3.0 INSTALLATION.....	7
3.1 Mounting.....	7
3.2 Connections and Wiring.....	9
3.3 RS-485 Network Requirements.....	12
3.4 Lightning/Surge Protection.....	14
3.5 Wiring Diagram.....	15
4.0 OPERATION and SETUP.....	16
4.1 Keypad.....	16
4.2 Menu System.....	16
4.3 Messaging System.....	24
5.0 WARRANTY AND SERVICE.....	25
5.1 Limited Warranty.....	25
5.2 Technical Support, Customer Service and Repair.....	25
6.0 DISPOSAL.....	26

## Safety Summary

Review the following safety precautions to avoid injury and prevent damage to the equipment.

The product should be installed, commissioned, and maintained by qualified and authorized personnel only.

Install according to installation instructions and comply with all national and local codes.

Use electrical wire that is sized and rated for the maximum voltage and current of the application.

Insure that the enclosure cover is in place and secured tightly during normal operation.

In potentially wet environments thoroughly seal all conduit entries.

If this product is used in a manner not specified by the manufacturer the safety protection could be compromised.

## Safety Terms and Symbols



**WARNING:** Warning statements identify conditions or practices that could result in injury or loss of life. Risk of electrical shock.

---



**CAUTION:** Caution statements identify conditions or practices that could result in damage to this product or other property.

---

## FCC Compliance

NOTE: This equipment has been tested and found to comply with the limits for a Class A digital device, pursuant to part 15 of the FCC Rules. These limits are designed to provide reasonable protection against harmful interference when the equipment is operated in a commercial environment. This equipment generates, uses, and can radiate radio frequency energy and, if not installed and used in accordance with the instruction manual, may cause harmful interference to radio communications. Operation of this equipment in a residential area is likely to cause harmful interference in which case the user will be required to correct the interference at his own expense.

## 1.0 Introduction

The BinMaster Model C-100-R is a compact control console for a network of BinMaster Modbus/RTU sensors. It can control from 1 to 120 Modbus sensors with a few keystrokes or automatically by use of an interval timer or external start input signal. It has a 4-20mA current output that, in conjunction with the external start input, provides for a traditional interface to a PLC (programmable logic controller) or DCS (distributed control system) system. The console was designed with a NEMA 4X rating, thus if it is properly installed it will be protected from windblown dust and rain. Vessel configuration is quick and easy with a simple and intuitive user-interface, configurable in either the English or Spanish languages. Measurement formats can be displayed as headroom percentage, headroom height, headroom weight, product percentage, product height and product weight. Vessel configuration and user settings are stored in non-volatile memory and will be retained during a power failure.

The Model C-100-R can interface with up to five BinMaster C-50 Expansion consoles on a dedicated RS-485 network. The Model C-50 is for interfacing the Modbus sensor system to a PLC or DCS system. Each Model C-50 expansion console supports up to 6 analog I/O cards, each with 4 ports, for a total of 24 analog I/O ports per C-50. With five C-50's each Modbus sensor can have its own I/O port. Each input can be used for externally starting a measurement and each output provides for a 4-20mA current output of the last measurement. For more information on the Model C-50, contact one of BinMaster's application specialists or go to [www.binmaster.com](http://www.binmaster.com).

## 2.0 Specifications

### Power Requirements

Isolated 24VDC or 16-24VAC source with 2W (0.085A) minimum output.

A quality earth connection is also required on the power terminal. Although this is not needed for power or normal operations, it is required for proper protection from lightning and other electrical surges.

### SB-485 Port

RS-485 at 9600 or 19,200 bps using Modbus/RTU and supporting 1 to 120 Modbus sensors on up to 4,000 feet of a quality twisted-pair shielded cable.

### EX-485 Port

RS-485 at 19,200 bps using a proprietary half duplex protocol to communicate to BinMaster Model C-50 expansion consoles on up to 4,000 feet of a quality twisted-pair shielded cable.

### External Start Input

Continuous monitoring for a dry contact closure to initiate a measurement with a response time of less than 1 sec.

### 4-20mA Current Output

Continuous 4 – 20mA current output with 16 bits of resolution into a maximum loop resistance of 620Ω. If weight calculations are DISABLED, the output level is relative to the last measurement of a user-assigned vessel and its entered height. If weight calculations are ENABLED, the output level is relative to the calculated weight of a user-assigned vessel and all its entered parameters.

An error condition (did not drop, bob stuck or communications error) can also be presented at this output with a user-selectable value of either 2mA or 22mA.

#### Interval Timer for Automatic Measurements

Any number of sensors on the network can be configured for an automatic measurement with a time between measurements ranging from 0 seconds (continuous) to 49 minutes and 59 seconds in 1 second increments.

#### Vessel Parameters

Vessel Height in feet:	1.00 to 299.99 in 0.01 increments
Vessel Height in meters:	0.30 to 89.99 in 0.01 increments
Body Height in feet:	1.00 to 299.99 in 0.01 increments
Body Height in meters:	0.30 to 89.99 in 0.01 increments
Body Radius/Width in feet:	0.10 to 59.99 in 0.01 increments
Body Radius/Width in meters:	0.10 to 19.99 in 0.01 increments
Hopper Height in feet:	0.10 to 29.99 in 0.01 increments
Hopper Height in meters:	0.10 to 8.99 in 0.01 increments
Outlet Radius/Width in feet:	0.10 to 8.99 in 0.01 increments
Outlet Radius/Width in meters:	0.10 to 2.99 in 0.01 increments
Sensor Offset in feet:	-99.99 to 99.99 in 0.01 increments
Sensor Offset in meters:	-29.99 to 29.99 in 0.01 increments
Product Density in lb/cu ft:	1.00 to 199.99 in 0.01 increments
Product Density in kg/cu m:	16.00 to 3,999.99 in 0.01 increments

#### Displayed Measurement Accuracy

Headroom Height:	+/-0.01 of reading plus the accuracy of the sensor.
Product Height:	+/-0.01 of reading plus the accuracy of the sensor plus the accuracy of the entered vessel's height.
Volume / Weight:	+/-0.01 of reading plus the accuracy of the sensor plus the accuracy of all entered vessel parameters.

#### 4-20mA Output Accuracy

Headroom Height:	+/-0.16% plus the accuracy of the sensor.
Product Height:	+/-0.16% plus the accuracy of the sensor plus the accuracy of the entered vessel's height.
Volume / Weight:	+/-0.16% plus the accuracy of the sensor plus the accuracy of all entered vessel parameters.

#### Ambient Temperature

Storage:	-4° to 158° Fahrenheit (-20° to 70° Celsius)
Operating:	-4° to 158° Fahrenheit (-20° to 70° Celsius)

## Physical

Dimensions:	6.5 x 6.3 x 3.5 inches (166 x 160 x 89 mm)
Weight:	1.5 lb (0.7 kg)
Enclosure:	Polycarbonate, light industrial gray.

Ingress Protection Rating                      NEMA Type 4x

## 3.0 Installation

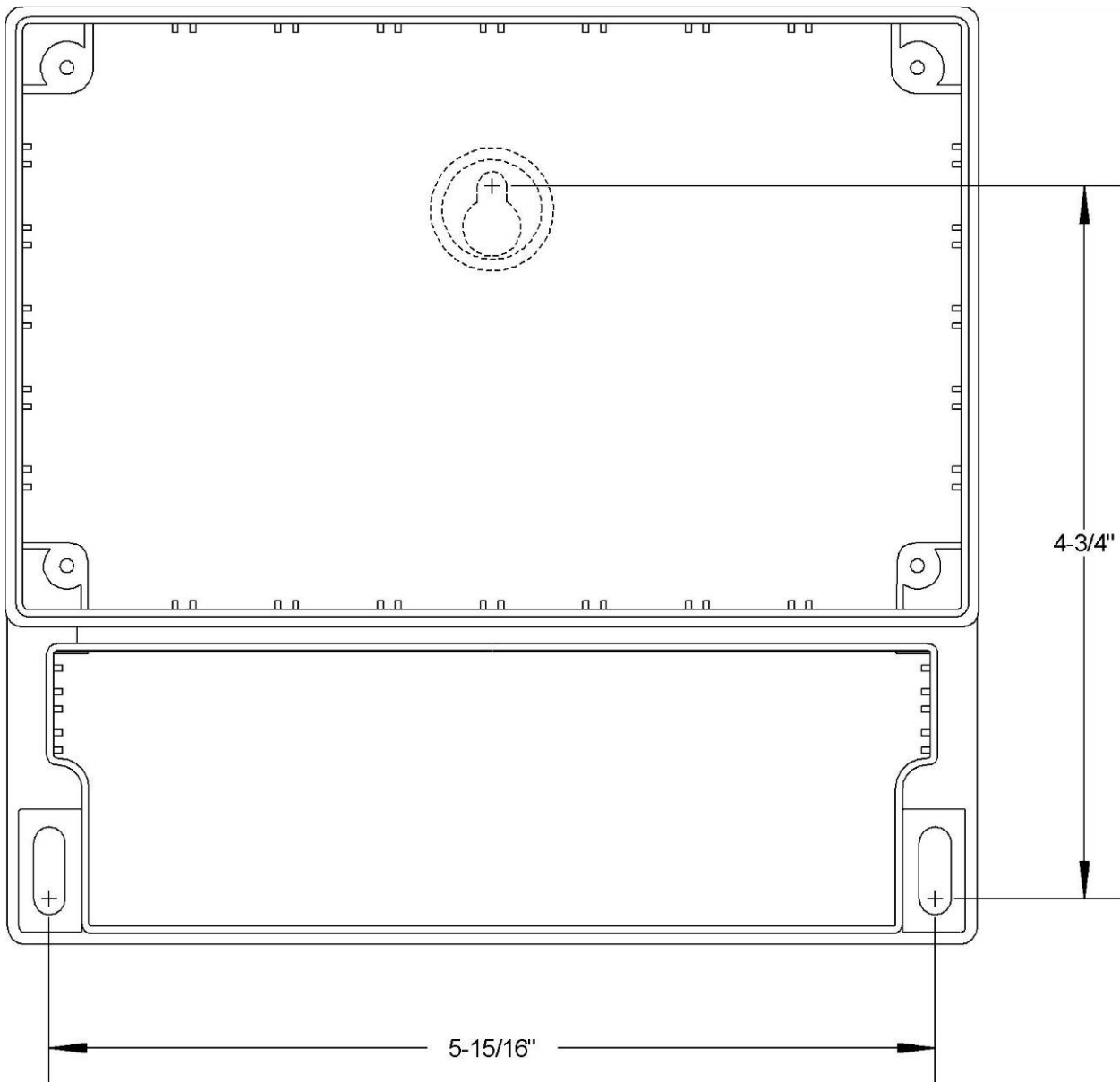
### 3.1 Mounting

When locating a position to mount the C-100-R control console, make sure to allow for adequate air flow around the unit and do not place it near any equipment that produces excessive heat. If the ambient temperature of the C-100-R is going to exceed 122°F (50°C), consider using a fan of some type to circulate the air. Allowing for good air flow around the C-100-R will prolong the life of the unit. Also, to prolong the life of the unit's enclosure and front panel, avoid a location that would place it in direct and constant sunlight.

### 3.1.1 Screw Mount

There are three screw holes that can be used for mounting the C-100-R control console as shown in the diagram below. You will need one #8 wood screw at least 3/8" long and two #8 wood screws at least 5/8" long.

1. Locate, drill a hole for and screw the 3/8" long screw into the mounting board/plate, leaving the head of the screw out about 1/8".
2. Hang the console with the one screw by the center mounting tab.
3. Remove the lower wiring cabinet cover and mark the locations for the two lower mounting screws with a pencil or awl.
4. Remove the console and drill holes for the two lower mounting screws.
5. Hang the console again by the center mounting tab and fasten in place with the two lower mounting screws.





## 3.2 Connections and Wiring

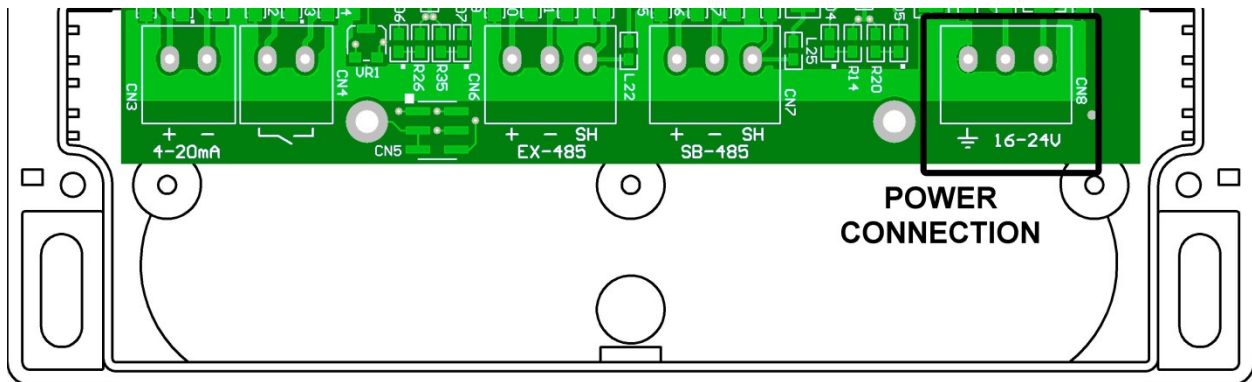
A minimum configuration will require a three-wire power connection and a three-wire RS-485 connection to the sensor network. Optionally, there may be a two-wire 4-20mA connection, a two-wire external start connection and another three-wire RS-485 connection for the Expansion network.

All wiring is fed through water-tight cordgrips and connected inside the lower wiring cabinet to pluggable terminal blocks mounted on the printed circuit board. Remove the two screws on the lower wiring cabinet cover to gain access to the terminal blocks. When wiring is complete, be sure that the lid is properly fastened down for a water and dust-tight seal. Never remove or unscrew the nameplate lid with the keypad and LCD window.

There are a total of five terminal blocks but only four cordgrip/entry points inside the wiring cabinet. It is recommended that if all terminal blocks are being used, that the 4-20mA Output (CN3) and the External Start Input (CN4) share the same cordgrip/entry point.

All five terminal blocks are capable of supporting 22 to 12 AWG size wires. Be sure to use the appropriate wire gauge/size for the connections and follow all national and local codes concerning this installation.

### 3.2.1 Power Connection

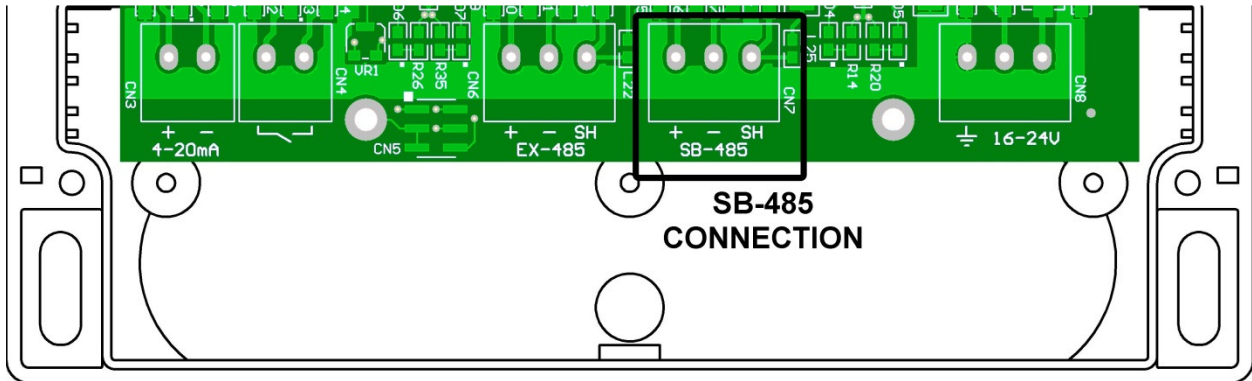


The power connection (CN8) is a three wire terminal block located on the far right. Two terminal screws marked 16-24V are for connecting to a 24VDC or 16-24VAC source, isolated from earth ground. See section 2.0 Specifications for power source requirements. Due to the low power requirements of this console, a 16 or 18 AWG wire would be sufficient for these two power connections.

The terminal screw marked with the  $\perp$  symbol should be connected to a quality earth for proper protection from lightning and other electrical surges induced in an industrial environment. It is recommended to use a 16 AWG wire or larger for the earth connection and connect it to the closest possible source to earth.

All three connections at CN8 are required for proper operation and protection of the console.

### 3.2.2 SB-485 for Sensor Bus



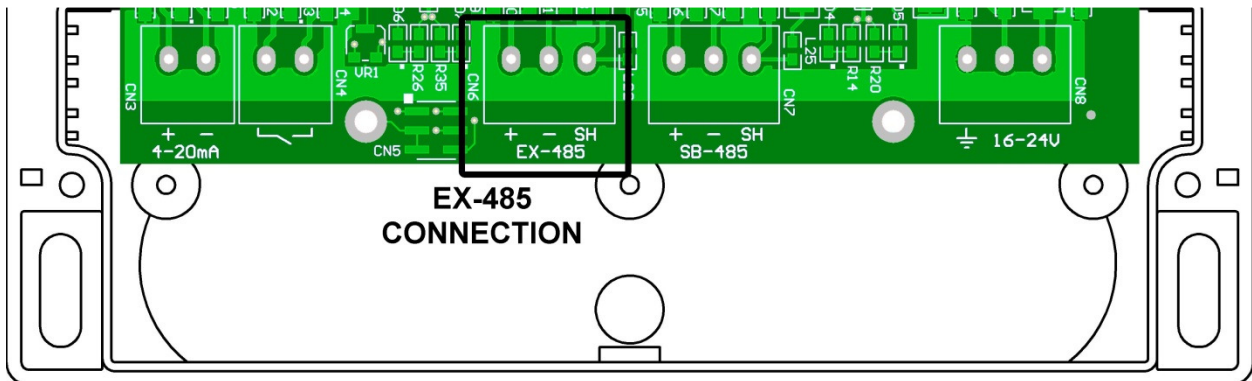
The SB-485 connection (CN7) is a three wire terminal block located near the center of the printed circuit board and is for connection to the RS-485 sensor bus/network. Two terminal screws marked + and – should be connected to the positive and negative wires of the sensor network cable. The third terminal screw marked SH should be connected to the shield of the sensor network cable. Do NOT connect the shield to earth.

A good quality twisted-pair shielded cable should be used for the sensor network. The cable should connect to each device on the network in a daisy-chain fashion. Branch lines or splits are not recommended. The maximum length of the cable should be 4,000 feet or 1,220 meters.

The C-100-R control console has permanent biasing resistors for the sensor network, so remove or un-switch any other bias resistors on all other devices connected to this network.

Devices located at the ends of the sensor network must be properly terminated. For the two devices located at the ends, switch in their NTR or termination resistor. The C-100-R control console can be located anywhere along the network and has a software menu for switching it's termination in or out of circuit.

### 3.2.3 EX-485 for Expansion Bus



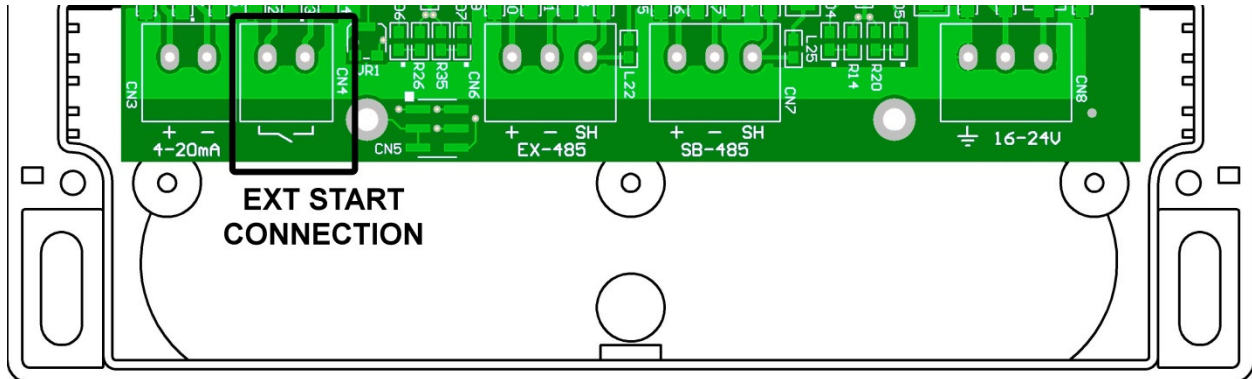
The EX-485 connection (CN6) is a three wire terminal block located near the center of the printed circuit board and is for connection to the Expansion RS-485 network. Two terminal screws marked + and – should be connected to the positive and negative wires of the RS-485 network cable. The third terminal screw marked SH should be connected to the shield of the RS-485 network cable. Do NOT connect the shield to earth.

These three connections at this terminal block are optional and only needed when connecting BinMaster C-50 expansion units to the system.

A good quality twisted-pair shielded cable should be used for the RS-485 network. The cable should connect to each device on the network in a daisy-chain fashion. Branch lines or splits are not recommended. The maximum length of the cable should be 4,000 feet or 1,220 meters.

This port has built-in line biasing and termination.

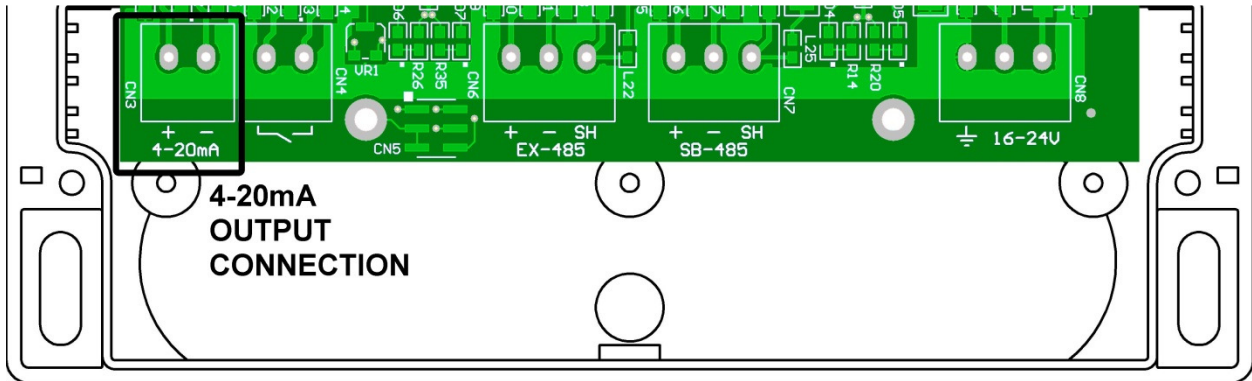
### 3.2.4 External Start Input



The External Start connection (CN4) is a two wire terminal block located towards the left of the printed circuit board. It is identified with CN4 and an open switch symbol. These two terminal screws are polarity independent and are intended only for a dry contact closure, such as a relay output from a PLC or a pushbutton switch. This connection does not source or sink any negligible amount of current so a quality twisted-pair cable of 20 to 22 AWG wiring is sufficient. A shielded cable is not required; however, if one is used leave the shield un-connected at the console.

The External Start connection is optional and only needed when a PLC/DCS or remote pushbutton switch is needed to initiate a measurement. This input can only trigger one sensor but can be assigned to any one on the network. This input is negative edge-triggered, meaning the dry contact must be cycled open and then closed again to initiate a new measurement.

### 3.2.5 4-20mA Output



The 4-20mA Output connection (CN3) is a two wire terminal block located on the far left of the printed circuit board. It is identified with CN3 and labeled with 4-20. The two terminal screws marked + and – should be connected to the proper positive and negative wires of the load. This output is powered and capable of driving up to a 620 $\Omega$  loop. Depending on the distance this wiring must go, a quality twisted-pair cable of 18 to 22 AWG wiring is sufficient. A shielded cable is not required; however, if one is used leave it unconnected at the console.

The 4-20mA Output connection is optional and only needed when a 4-20mA output is needed to feed a PLC or DCS system of the last measurement taken. This output can only represent one sensor measurement but can be assigned to any sensor on the network.

### 3.3 RS-485 Network Requirements

Both the sensor bus (SB-485) and the Expansion bus (EX-485) use RS-485 wiring and data signaling techniques and must meet certain criteria for reliable operation. If these criteria are not met, communications errors will most likely occur and result in failed measurements. Troubleshooting communications errors can be expensive and time consuming, so BinMaster strongly encourages you to take adequate time in understanding and installing the RS-485 networks and to use quality cabling and connection techniques.

Summary of RS-485 requirements for BinMaster products:

- All devices must be wired or connected in a daisy-chain fashion.
- Use a quality twisted-pair cable with shield.
- Maintain correct polarity between all devices wired to the network cable.
- The two ends of the network cable must be terminated.
- Biasing must be applied in only one place anywhere along the cable or network.
- All devices on the network must support and be configured for the same protocol.

## Wiring

All devices on an RS-485 network must be connected directly to the network cable with no splits, taps or branch lines. The overall length of the cable must not exceed 4,000 feet or about 1,220 meters. Use a quality twisted-pair cable with shield and connect as per the wiring diagram in section 3.5. Observe the polarity of the wiring between all devices on the network, making sure that the wire connected to the + terminal at the C-100-R control console is also connected to the + terminal on all other devices. Likewise, make sure that the wires connected to the – and SH terminals at the C-100-R control console are also connected to the – and SH terminals, respectively, on all other devices. Do not connect the wires or shield to anything other than that specified.

## Termination

All RS-485 networks must be terminated at both ends with a 120Ω resistor for proper operation and reliability. Normally this is done by the two devices connected at the very ends of the network cable. On some devices the termination is set ON or OFF by a slide switch labeled “NTR” and on other devices this may be set IN or OUT of circuit through a software menu.

The C-100-R console uses a software menu titled “SB-485 Termination” for switching the termination resistor IN or OUT on the SB-485 port. For the EX-485 port, the C-100-R console has the termination resistor permanently switched in and therefore the C-100-R console must be located at one end of the network. Refer to the manual of the other devices for instructions on how to switch their termination.

## Bias Resistors

All RS-485 networks must have bias resistors installed or switched in for proper operation and reliability. This must be done at only one device but anywhere along the network cable.

The C-100-R control console has bias resistors permanently switched in for both the SB-485 port and the EX-485 port, so for all other devices connected to either of these networks make sure that the bias resistors are turned OFF or switched OUT of circuit. Refer to the manual of these other devices for instructions on how to do so.

## Protocol / Baud Rate

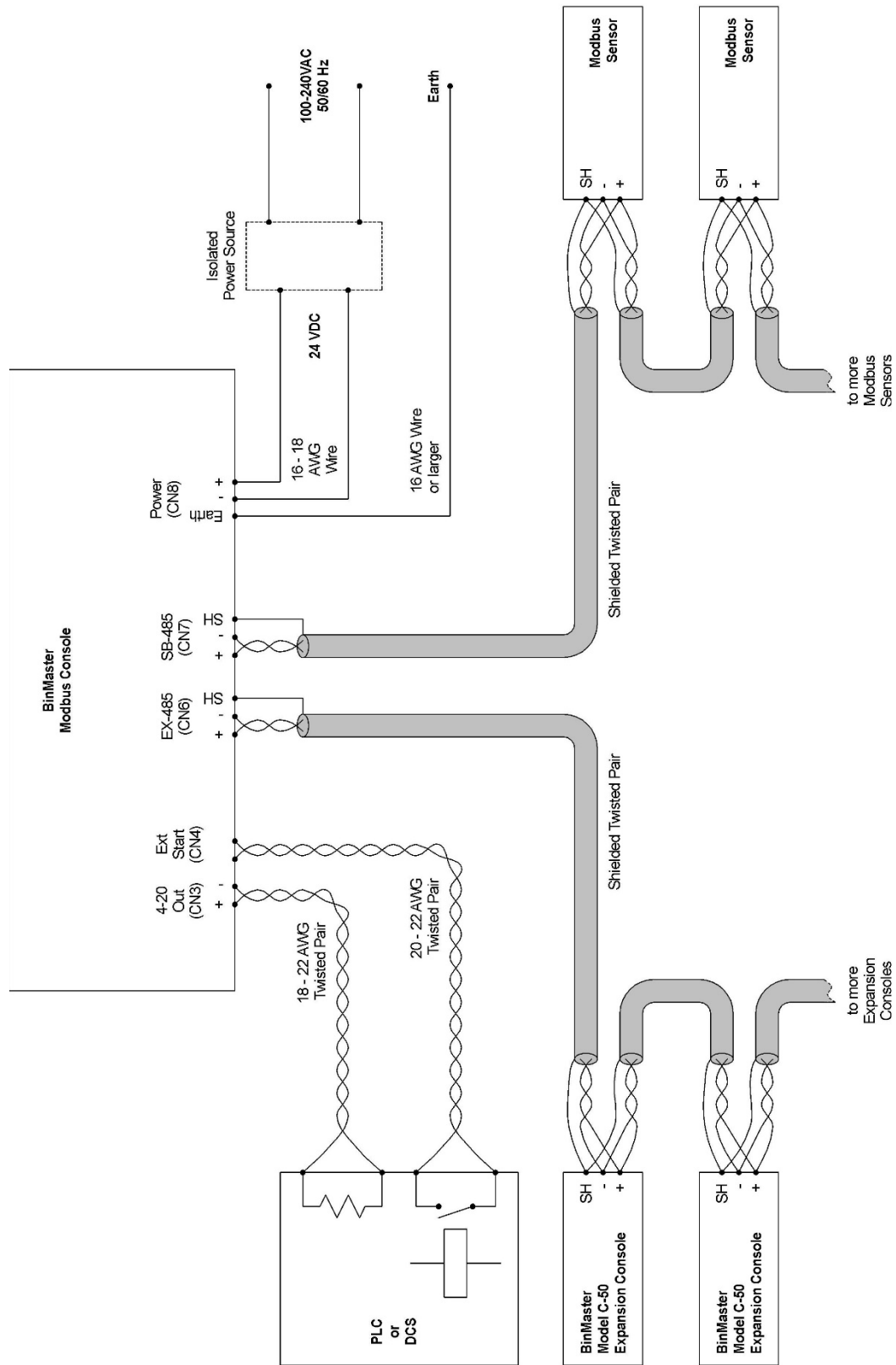
All devices on an RS-485 network must be configured to use the same protocol and baud rate. This console supports three BinMaster sensors on the SB-485: the SmartSonic, the NCR-80 and the GWR-2000. NCR-80 and GWR-2000's can be mixed on the sensor bus, but the SmartSonic must stand alone. Selecting the appropriate sensor type will set the baud rate to be used for all sensors.

### 3.4 Lightning/Surge Protection

All electronic devices connected to a large wired network are susceptible to damage from lightning and other sources of electrical surges. Both the power source and an RS-485 network are a means for electrical surges to enter the C-100-R control console and do damage. Although some level of protection from electrical surges is built into the C-100-R control console, there are options to further protecting your investment.

1. As recommended for the power connection at CN8, use an isolated power source and verify that the output is NOT grounded or referenced to earth. Make sure that all devices connected to either the sensor network or Expansion network uses a separate power source.
2. Be sure to connect the terminal at CN8 marked  $\perp$  to a good quality earth using a 16 AWG size wire or larger. This wire should be as short as possible to earth with no sharp bends or loops in the wiring.
3. Use additional external lightning/surge arrestors on the RS-485 networks. This is very critical of large outdoor networks that are high off the ground. Place 1 to 3 surge arrestors on the RS-485 network evenly spaced apart, following the manufacturer's installation instructions and using a good quality connection to earth.
4. Consider using BinMaster wireless solutions that not only greatly protect your investment from lightning but can reduce installation time and eliminate the need for running long lengths of RS-485 cable. Call BinMaster and speak with one of our applications specialist for more information on our wireless solutions.

### 3.5 Wiring Diagram



## 4.0 Operation and Setup

The C-100-R control console is controlled and operated using a 6-button icon-based keypad and a simple intuitive text-based menu system. The menu system is user-selectable in either the English or Spanish languages.

### 4.1 Keypad

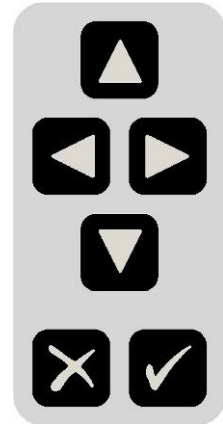
The keypad consists of 6 membrane style keys appearing as shown to the right.

Four of them are labeled with left, right, up and down arrow keys and are used for navigating menu selection bars and character cursors.

Another key is labeled with a ✕ (cross out) for cancel or escape and is generally used to stop an action or to exit a screen without taking action.

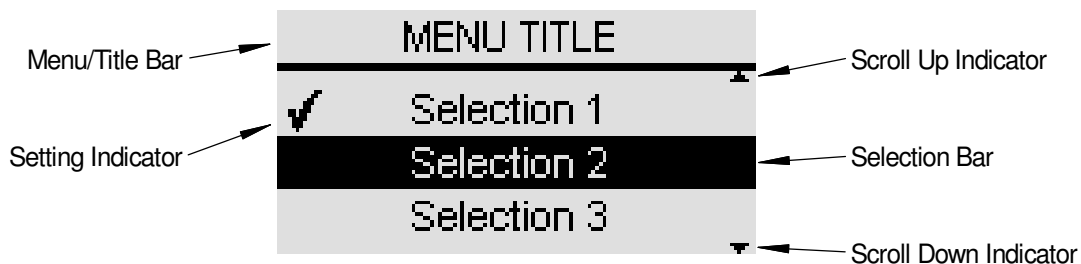
The final key is labeled with a ✓ (check mark) for Ok and is generally used to accept the current selection and/or to advance to the next screen.

Most operations will simply require a single press and release of a key; however some operations may benefit from a key being held. For instance, holding the up or down arrow keys will allow the user to continuously scroll through long lists of vessel measurements. In some menus, the left and right arrow keys serve as a page up and page down key for faster navigation through long lists. Also, in some menus with long lists, you can press the left and up arrow keys simultaneously for a jump to the top of the list and pressing the right and down arrow keys simultaneously for a jump to the bottom of the list.



### 4.2 Menu System

Each menu and/or screen maintains a common format for ease of understanding and use. The example screen below shows a few of the common items found on most screens.



The Menu/Title Bar will always be present at the top and identify the current menu or screen to the user. Below that will be up to three lines of text or selection items, depending on the current menu or screen.

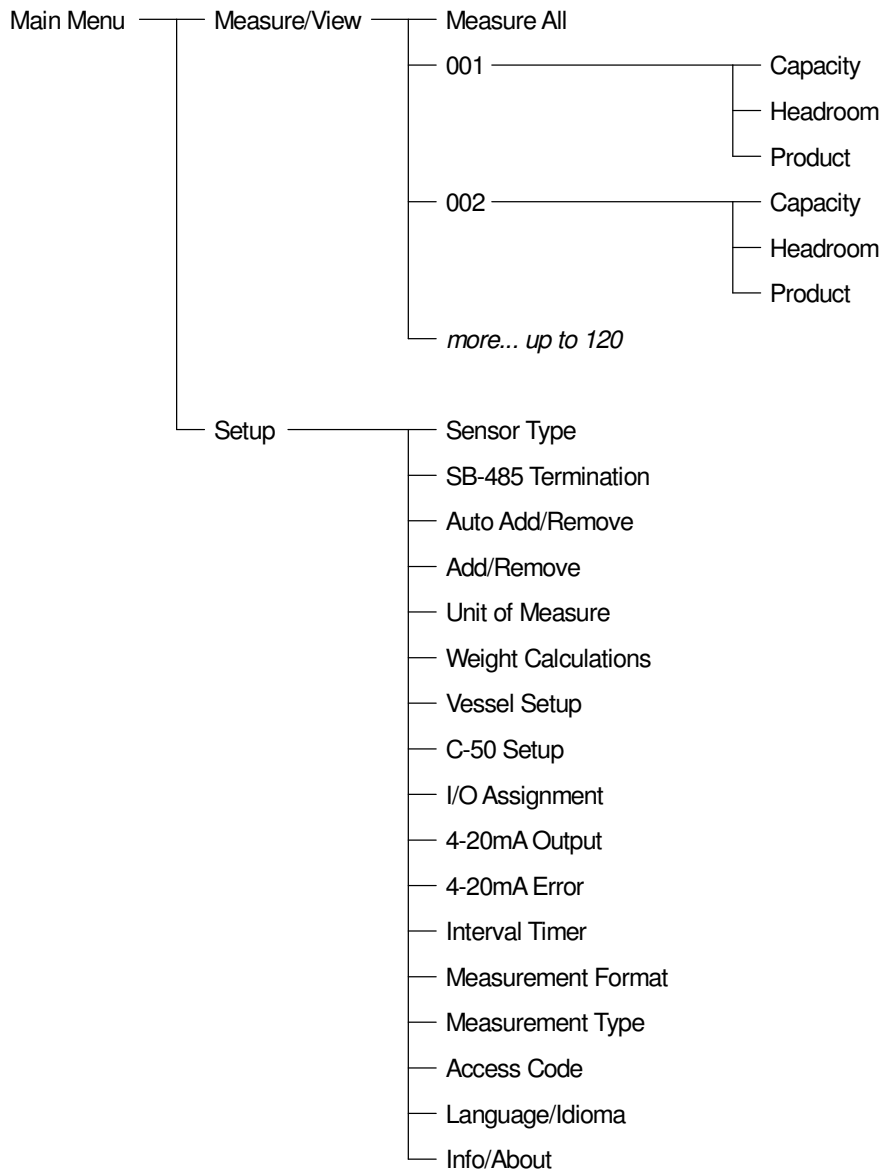
The Selection Bar is repositioned vertically with the ▲/▼ keys and is used for making a selection in a menu. Normally a selection isn't accepted until the ✓ key is pressed.

The Setting Indicator, displayed as a check mark towards the left of the screen, is used in various places under the Setup Menu to indicate current or active settings.



The Scroll Up and Down Indicators, displayed as little up and down arrows towards the right of the screen, will be present when more selections or information is available off screen. The Scroll Up Indicator will be present when the user can scroll up to obtain more selections or information and the Scroll Down Indicator will be present when the user can scroll down to obtain more selections or information.

Navigating through the menu system is straight-forward, position the selection bar on the desired menu or selection item and press the ✓ key. To go back a menu or escape from the current screen, press the ✕ key. The menu system is structured as shown in the following diagram.



### 4.2.1 Main Menu

The Main menu has two selections: Measure/View and Setup. Select Measure/View if you want to take an immediate measurement or view the results of the last automated measurement. Select Setup if you need to change user display preferences, setup vessel parameters, sensor network settings or configure the Expansion network. The main menu is at the top of the menu system, so pressing the **X** key here will have no effect.

### 4.2.2 Measure/View

The Measure/View menu provides a full listing of all the last measurement results and a means to initiate a measurement. It will always have at least two selections. The first selection will always be Measure All and selecting it will immediately start a measurement process on all configured sensors. The second selection and any following selections will contain the last measurement data next to its associated sensor address. Note that sensors are identified by their address and are always displayed with three digits ranging from 001 to 120. Selecting any of the measurement data will bring up the details screen for that sensor. If there is only one sensor configured on the network, then there will only be two selections in this menu. If you have multiple sensors configured, then you can scroll through this menu to see them all. The title bar will also indicate whether the measurement data is of the headroom (Hdrm) or of the product (Prod), as set under Measurement Format. Note that 'headroom' refers to the upper empty space in the tank and 'product' refers to the lower filled space.

MEASURE/VIEW HDRM	
Measure All	
001:	4,589.2 lbs
002:	11,644.9 lbs

The details screen displays additional data for a particular sensor and provides a means to take a measurement with that particular sensor by pressing the **✓** key. Use the **◀▶** keys to cycle through all the data (capacity, headroom and product) for the selected vessel and sensor. In each mode, the percentage and height are displayed, as is volume or weight if weight calculations are enabled. If the vertical scroll indicators are present, the operator can scroll to other sensor measurement results.

MEASURE/VIEW DETAILS	
Product of 001:	
71.3%	12.37 ft
4,297.70 lbs	

The accuracy of these readings is dependent on both the sensor reading and the vessel parameters entered into Vessel Setup.

### 4.2.3 Setup

The Setup menu has selections for setting user preferences, configuring the sensor network, the Expansion network and defining sensors and associated vessels. All settings and configurations made will be retained during a loss of power.

#### Sensor Type

This is a menu for selecting the type of sensor installed or in use on the sensor bus/network (SB-485), the operator can choose NCR-80/GWR-2000 or SmartSonic. The default setting is NCR-80/GWR-2000.

All devices on the sensor network must be configured to use the same baud rate, data bits, parity and stop bits. The NCR-80 and GWR-2000 requires 9600 baud, 8 data bits, no parity and 1 stop bit. The SmartSonic requires 19,200 baud, 8 data bits, no parity and 1 stop bit. The sensor type must be configured prior to running Auto Add/Remove or any measurement process.

## SB-485 Termination

This is a menu for setting whether the sensor bus termination is switched In or Out of the network. If the console is the final device connected at either end of the sensor network choose In, otherwise choose Out. The default setting is In. The termination should be set prior to running Auto Add/Remove or any measurement process.

## Auto Add/Remove

This is a process the operator can choose to let the console automatically scan and detect any sensors on the network. After selecting Auto Add/Remove, it will begin searching for sensors currently connected to the network, adding or removing them from the working list. If there are existing enabled, a confirmation screen will appear to make sure you want to re-scan for new and removed sensors. Press **X** to cancel or **✓** to confirm. The operator can choose to let it scan all the way to 120 or stop it once they feel it has found them all.

Since this process uses Modbus/RTU communications, make sure that Sensor Type and SB-485 Termination have previously been set.

## Add/Remove

This is a menu that allows the operator to manually add or remove sensors to the console's working list. Use the **▲**, **▼** and **✓** keys to select and accept one or more sensor addresses from the list to be configured for use. After all desired addresses are assigned, use the **X** key to exit.

## Unit of Measure

This is a menu for selecting the measurement unit used for entering vessel dimensions and product density in Vessel Setup. It also determines the unit used for readings when Measurement Format is set for Height or Cubic Unit. If weight calculations are enabled, your two choices are U.S. (lb, ft) or Metric (kg, m) with the default being U.S. (lb, ft). If weight calculations are disabled, your two choices are Foot (ft) or Meter (m) with the default being Foot (ft).

Changing this setting will convert all stored vessel parameters from one system to the other.

## Weight Calculations

This is a menu for enabling or disabling volume and weight calculations. The default is disabled. By enabling weight calculations, the operator will be able to view measurement results as a volume or weight in various units. The option to disable this feature is provided due to the complexity of entering vessel parameters that may not be needed on some systems.

This setting will have an effect on the following:

1. The amount of data to be entered under Setup > Vessel Setup.
2. Selections available under Setup > Measurement Format.
3. Data presented under Measure/View.
4. Data represented by the 4-20mA output.

## Vessel Setup

This is a menu for entering the vessel parameters associated with the sensor addresses previously configured in Add/Remove or Auto Add/Remove. Defining vessels accurately is critical in obtaining accurate measurement data of weight or product height.

If weight calculations are disabled, this is simply for setting the overall height of the vessel, sensor offset and maximum drop. The first screen is for selecting the vessel(s) to be configured, the

second screen is for entering the vessel height of the selected vessel(s), the third screen is for setting a headroom offset and the fourth for setting maximum drop distance.

Vessel Selection – This is for selecting which vessel or vessels to configure parameters for, choose either Set All or one particular vessel. If all vessels are to be the same or similar use Set All, otherwise configure one at a time.

Vessel Height – For setting the overall height of the vessel.

Sensor Offset – For setting the offset or distance between the sensor and the full mark. A positive value places the sensor below the full mark or down in the tank. A negative value places the sensor above the full mark or up outside the tank.

If weight calculations are enabled, this is a multi-page menu for entering vessel parameters and product density required in calculating weight. Following is a listing of the different Vessel Setup pages and a process flowchart.

Vessel Selection – See description above.

Vessel Shape – For setting the shape of the previously selected vessel(s), choose between circular or rectangular.

Body Height – For setting the height of the vessel's body. Note that this is just the main body of the vessel and not the overall height.

Body Radius – For setting the radius of a circular vessel's body.

Body Width 1 & Body Width 2 – For setting the two widths of a rectangular vessel's body.

Hopper Present – Choose between Yes or No on whether a hopper is present.

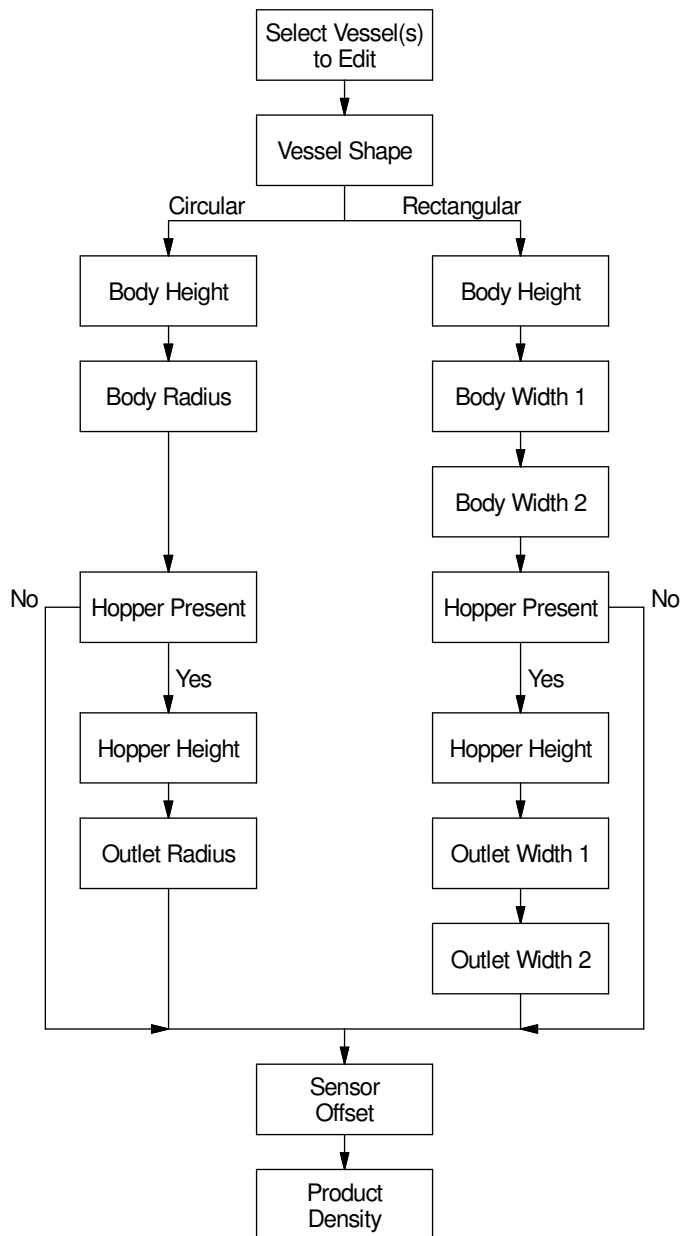
Hopper Height – For setting the height of the hopper, if it exists.

Outlet Radius – For setting the radius of a circular hopper's outlet, if a hopper exists.

Outlet Width 1 & Outlet Width 2 – For setting the two widths of a rectangular hopper's outlet, if a hopper exists.

Sensor Offset – See description above.

Product Density – For setting the weight density of the product or contents of the vessel.



### C-50 Setup

This is a menu for automatic setup of Model C-50's connected to the expansion port (EX-485). The operator can choose between Enabled and Disabled. The operator must use Add/Remove or Auto Add/Remove prior to making this selection. The default setting is Disabled.

After the user selects Enabled, the C-100-R console will automatically assign available I/O's to enabled sensors and then enter the I/O Assignment menu for the user to review and/or reassign if necessary.

## I/O Assignment

This is a menu for assigning sensors to I/O ports. The operator must use Add/Remove or Auto Add/Remove prior to using this menu. This menu will differ depending on whether the C-50 Setup was enabled or disabled.

If C-50 setup is disabled, then this menu will be for assigning any single sensor to the C-100-R's onboard I/O (External Start input and 4-20mA output). The operator simply selects the address of any single sensor in this list, but it defaults to the first address available in the list.

I/O ASSIGNMENT	
✓	001
	002
	003

If C-50 setup is enabled, then the operator will use this menu for viewing the current assignments between multiple sensors and multiple I/O ports located on the C-50 network. On the left is the address of the sensor and to its right is the I/O port that is assigned to it. The I/O port is displayed in the format *c:s:p*, where *c* is the expansion console's address (1 to 5), *s* is the slot/card position (0 to 5) and *p* is the slot/card's port (0 to 3). For additional information on addressing, slots/cards and ports, please refer to the *Model C-50 Operators Manual*. To reassign the I/O port of a particular sensor, position the selection bar on the address of that sensor to be changed and press ✓. This will display another menu for assigning a different I/O port to that sensor. The operator can choose to unassign a sensor address or reassign to any I/O port listed in this menu; however, only I/O ports that are currently available and unassigned will be listed. To swap the assignments of two sensors already assigned to I/O ports, you must first unassign one of them, then reassign the second one and finally go back and reassign the first one.

I/O ASSIGNMENT	
001	1:0:0
002	1:0:1
003	1:0:2

ASSIGNMENT FOR 002	
	Unassigned
	1:0:0
✓	1:0:1

## 4-20mA Output

This is a menu for setting what the 4-20mA Output will represent; the operator can choose between Product and Headroom. The default setting is Product.

When weight calculations are disabled, this output is a percentage of the headroom height or product height. When weight calculations are enabled, this output is a percentage of the headroom weight or product weight.

## 4-20mA Error

This is a menu for setting what the 4-20mA output error level will be, the operator can choose between 2mA and 22mA. This error level will be programmed to the output whenever the last measurement produced an error condition. The default setting is 22mA.

## Interval Timer

The interval timer allows the operator to enable and configure the console to take multiple automatic timed measurements. The selections are On/Set and Off. The default setting is Off.

After selection of On/Set, a setup screen appears for entering the timer value in minutes and seconds. Enter any amount of time from 0 seconds (continuous) to 49 minutes and 59 seconds in the format: MM:SS. One second would be 00:01 and 60 minutes would be 60:00. The timer is adjusted one digit at a time. Use the ◀/▶ keys to select a digit by repositioning the cursor and the ▲/▼ keys to adjust the selected digit. Once all four digits have been entered, press the ✓ key.

INTERVAL TIMER	
Enter as MM:SS:	
00:30	
◀/▶	Cursor ▲/▼: Digit

After the interval time has been set, a menu appears for assigning sensors to the automatic measurement process. At least one must be assigned and up to all sensors configured may be assigned. Use the ▲, ▼ and ✓ keys to select and accept one or more sensor address' from the list to the interval timer. After all desired sensors are assigned, press the ✕ key to exit.

### Measurement Format

This is a menu for selecting the measurement format displayed under the Measure/View menu. When weight calculations are disabled, only Percent and Height are available. When weight calculations are enabled, the operator can select between the following:

- Percent
- Height
- Cubic Unit
- U.S. Gallon
- U.S. Bushel
- Liter
- Pound
- Ton
- Kilogram
- Metric Ton

Height and Cubic Unit will be dependent on the setting in Unit of Measure, with units set to either foot (ft) or meter (m).

Note that this setting effects what is displayed in Measure/View and Measure/View Details.

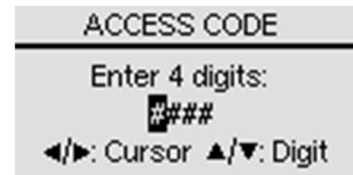
### Measurement Type

This menu is for selecting what type of reading is displayed in Measure/View and Measure/View Details. Choose between Headroom and Product. Headroom will configure the console to display readings that represent the filling or empty space above the material. Product will configure the console to display readings that represent the amount of product or material in the vessel. The default setting is Product.

### Access Code

This menu allows the operator to enable and set a 4-digit code for access to the Setup menu. The selections are On/Set and Off. The default setting is Off.

After selection of On/Set, a setup screen appears for entering a 4-digit number. Enter any 4-digit number between 0000 and 9999, one digit at a time. Use the ◀▶ keys to re-position the cursor and the ▲/▼ keys to adjust the selected digit. After all four digits have been entered, write the number down in a safe place and press the ✓ key. Next time the Setup menu is accessed, this same screen is presented for entering the access code. Entry to the Setup menu is not permitted until the correct 4-digit code is entered. With an access code set, if the console is left unattended in the Setup menu it will automatically exit to the Main menu after 20 seconds of no keypad activity.



**CAUTION:** If you lose or forget the access code you will have to clear ALL nonvolatile memory to regain access to the Setup menu. Doing so will also erase all user settings and vessel parameters.

To clear all nonvolatile memory, press and hold both the ✕ and ✓ keys while either pressing S1 inside the wiring cabinet or power cycling the console.

---

#### Language/Idioma

This is a menu that allows the operator to select either the English or Spanish language for displaying the text-based menu system. The default is English.

This menu is also presented to the user when the C-100-R control console is powered up for the very first time.

#### Info/About

This screen simply displays company, product and firmware version information. Knowing the firmware version may be needed when working with BinMaster's service department. This information is also displayed momentarily when powering up.

### 4.3 Messaging System

The Model C-100-R has a messaging system that, if certain conditions are met, will display an important message to the operator. This message may remain visible until the conditions that caused it are corrected or until the user presses the ✓ key.

*"One or more enabled expansion consoles are offline."*

This message will be displayed if C-50 setup is enabled and one or more previously detected C-50 expansion consoles are not responding to communication requests. The operator should verify all Expansion network wiring and that all C-50s on the network are powered.

*"One or more assigned expansion outputs are disconnected."*

This message will be displayed if C-50 setup is enabled and one or more 4-20mA outputs, which are assigned to a sensor, are disconnected. The operator should verify that all assigned 4-20mA outputs on all C-50s expansion consoles are properly connected to their appropriate PLC input or load. Status LEDs on the C-50 expansion console should further assist in identifying the disconnected output. For additional information, refer to the *Model C-50 Operators Manual*.



## **5.0 Warranty and Service**

### **5.1 Limited Warranty**

BinMaster warrants this product against defects in material and workmanship for two (2) years according to the following terms:

- 1.) This warranty extends to the original purchaser only and commences on the date of original purchase.
- 2.) BinMaster's sole obligation under said warranty is to repair, or at its option replace the defective parts. The buyer shall have no other remedy. All special, incidental and consequential damages are excluded. The buyer must deliver the product under warranty prepaid to the factory. BinMaster's obligation is limited to the cost of material and labor to repair or replace, and does not include transportation expenses.
- 3.) This warranty shall be voided, in our sole judgment, by alterations of equipment except by BinMaster, or tampering with, improper installation or maintenance, accident or misuse, or act of God. This warranty expressly excludes all damage to the product resulting from careless or neglectful packaging or transportation. The warranty does not extend to repairs made necessary by normal wear.
- 4.) This warranty is in lieu of all other warranties, expressed or implied including any implied warranties or merchantability or fitness for particular purpose. No employee, agent, franchise dealer or other person is authorized to give any warranties of any nature on behalf of BinMaster.
- 5) BinMaster shall in no event be responsible for any warranty work done without first obtaining BinMaster's written consent.
- 6) Except as provided herein, BinMaster shall have no liability, loss or damage caused or alleged to be caused directly or indirectly by this equipment.
- 7) This warranty gives the buyer specific legal rights, and you may also have other rights which vary from state to state.
- 8) For service, please call 402-434-9102.

### **5.2 Technical Support, Customer Service and Repair**

If you are in need of an updated operator's manual, specification drawing or parts replacement list, please visit our online documentation at [www.binmaster.com](http://www.binmaster.com).

Prior to shipping your Model C-100-R back for repair, please call our service department for an RMA number. Along with the RMA number, you will also be provided with shipping instructions and address.

You may call the customer service department for technical support, application assistance and to receive an RMA Monday through Friday from 8:00 am to 5:00 pm Central Time.

BinMaster, a division of Garner Industries, offers a toll-free telephone number (800) 278-4241 to our customer service department. International customers can call us at (402) 434-9102 or reach us via fax at (402) 434-9133.

## **6.0 Disposal**

This product consists of materials that may be recycled by certain recycling companies. It uses recyclable materials and is designed to be easily separated. Consult local authorities for proper disposal locations.