



*Taking Control . . . To A Higher Level*

## **BM65 R, RH, RHT Explosion Proof Diaphragm**

---

<u>Item</u>	<u>Part No.</u>	<u>Description</u>
1	220-0016	Cast Aluminum Enclosure
2	530-0017	Micro Switch Assembly (BM65 R)
	530-0044	Micro Switch Assembly (BM65 RHT)
	530-0222	Micro Switch Assembly (BM65 RH)
3	270-0063	Back Mounting Plate
4	275-0010	Diaphragm Retaining Ring
5	416-0046	Plunger Assembly
6	225-0003	Neoprene Diaphragm (BM65 R)
	225-0004	Heavy Neoprene Diaphragm
	225-0005	Silicone Diaphragm (BM65 RHT)
	225-0027	Neoprene Diaphragm (BM65 RH)
7	280-0004	Gasket Ring
	280-0057	Gasket Ring (BM65 RH)

---

**Unit illustration with key appears on back**

---

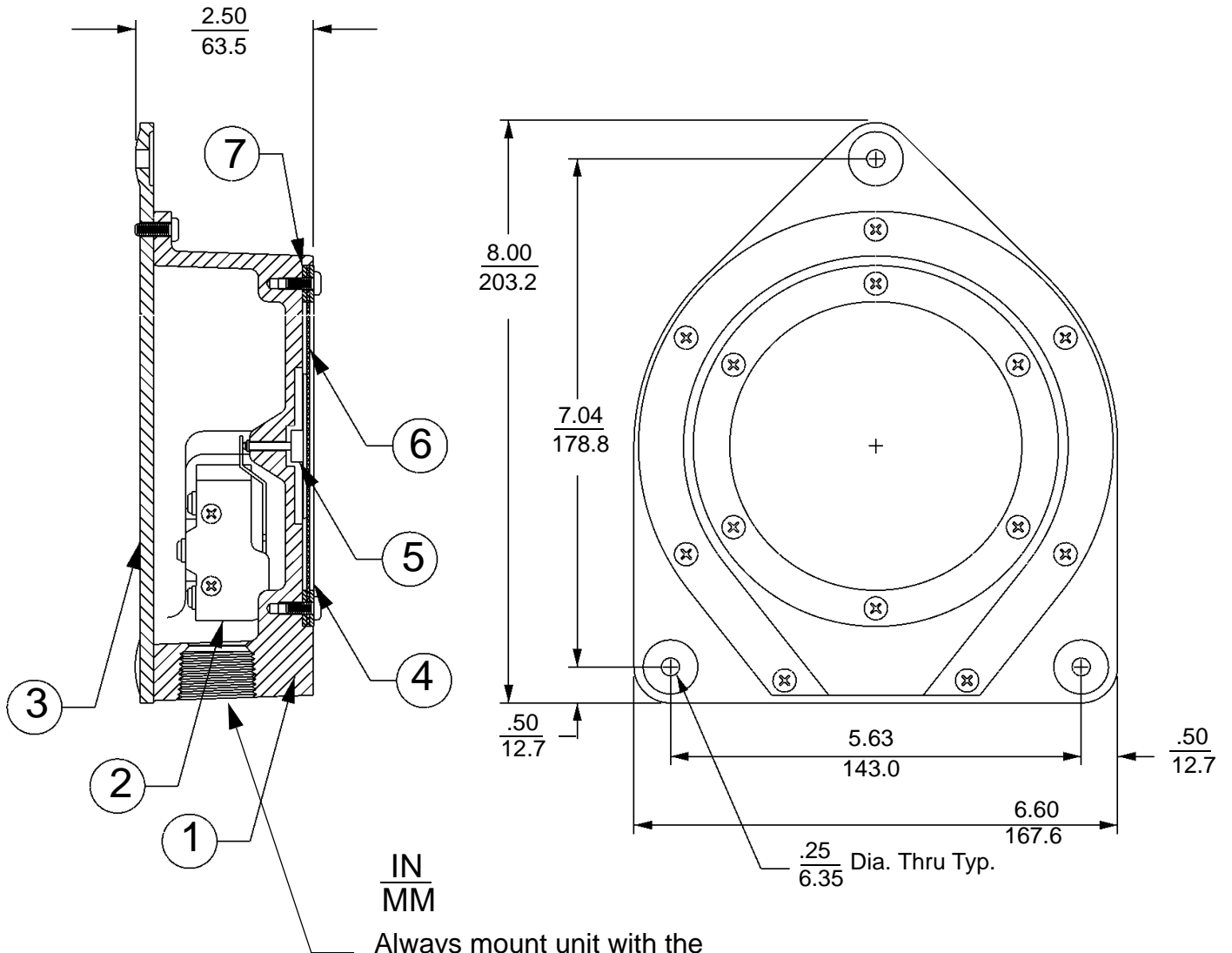


Division of Garner Industries  
7201 No. 98th Street P. O. Box 29709  
Lincoln, NE 68507 Lincoln, NE 68529  
(402) 434-9102 Fax (402)434-9133  
[www.binmaster.com](http://www.binmaster.com)



Taking Control . . . To A Higher Level

# BM65 R, RH, RHT Explosion Proof Daphragm



Always mount unit with the  
conduit opening down

Parts list appears on back



Division of Garner Industries  
7201 No. 98th Street P. O. Box 29709  
Lincoln, NE 68507 Lincoln, NE 68529  
(402) 434-9102 Fax (402) 434-9133  
www.binmaster.com