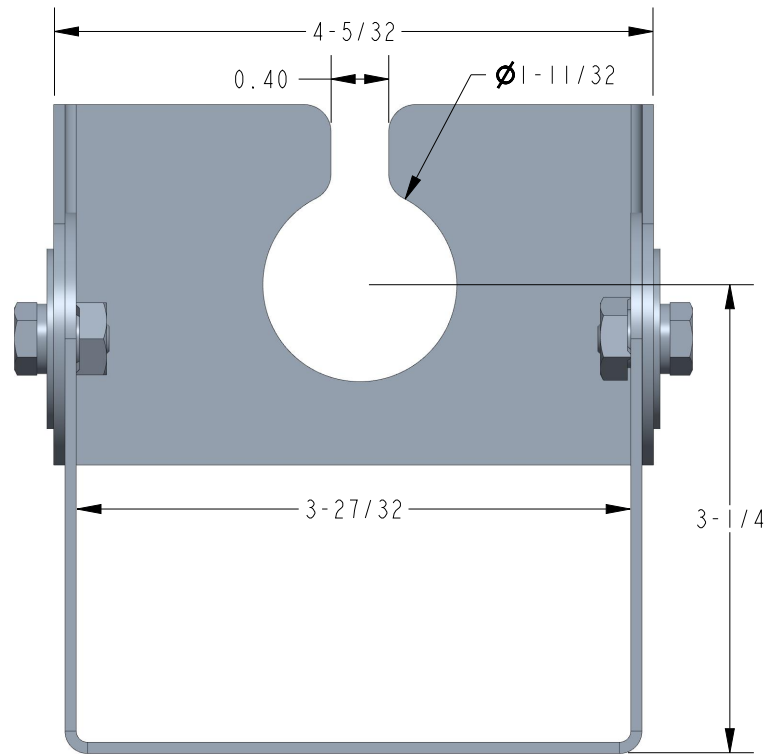


This drawing is the property of Garner Industries. It is issued in confidence on the condition that it is to be returned on request and that it is not to be copied or reproduced in any way, or used in the manufacture of the subject matter thereof without the written consent of Garner Industries.

DIMENSIONS ARE IN INCHES UNLESS NOTED OTHERWISE



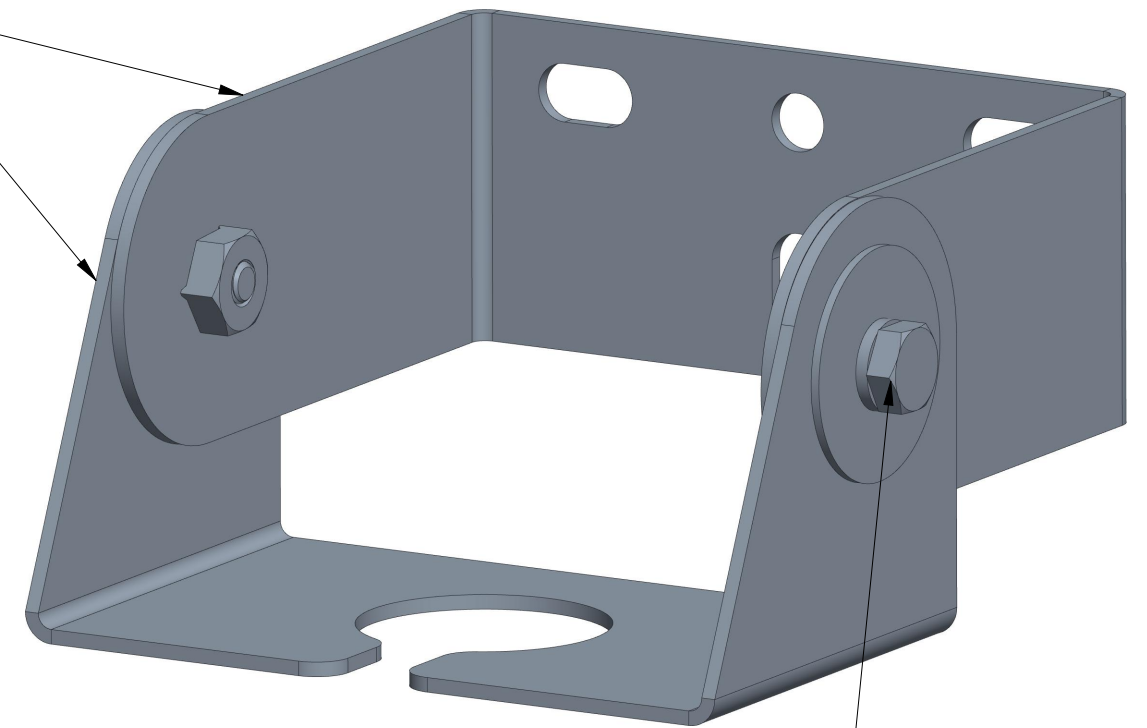
Division of Garner Industries / 7201 North 98th Street / Lincoln, NE 68507
(402) 434-9102 / fax (402) 434-9144 \ www.binmaster.com



P/N 416-0764

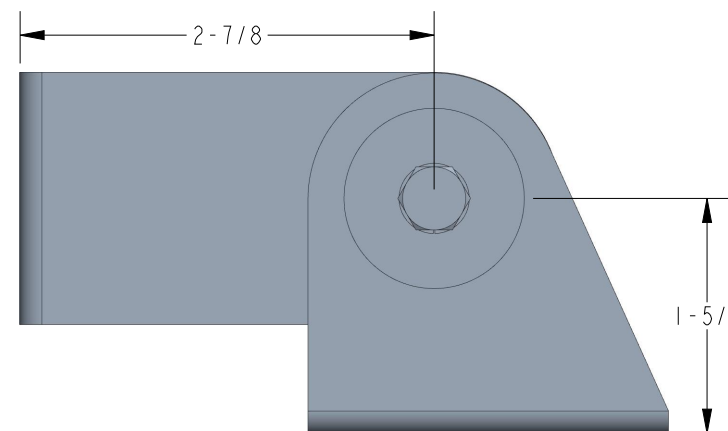
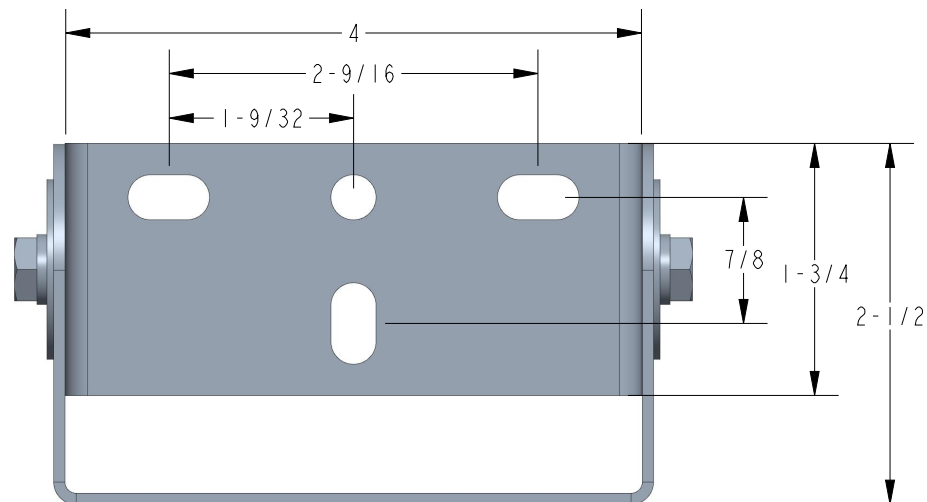
P/N 258-0124

NOTE: SHOWN WITHOUT 1/4" SELF-DRILLING SCREWS THAT ARE INCLUDED IN KIT.



SCALE 1.000

1/4"-20 BOLTS



SCALE 0.750

REVISION

TITLE: MTG. DIM, CNCR 1" SHORT WALL BRKT

Model No.: ALL CNCR's W/ 1" THREADS

P/N: 730-0787

DWG No.: 418-0269

MATERIAL: SS

PAGE 1 OF 1