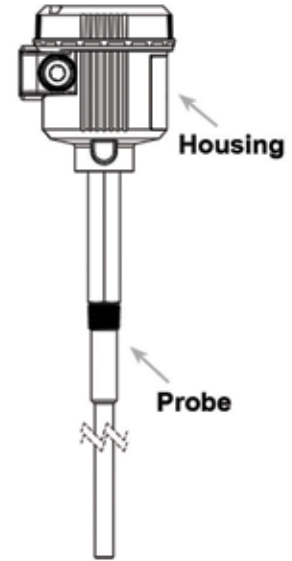


DUST ALERT - 3000

Mark X if none									
								N4	
Sample									
DD300.	S	2	L12	M1	T1	1	X	N4	G



Area Classification
G: Area Classification: Ordinary/
 General Purpose Only

Probe Insulation (use X if none)
C: Insulation: Teflon-Coated Probe

Process Pressure
1: 10 PSI Max.

Process Temperature
T1: Standard Temp: -13°F to 250°F (-25°C to 121°C) Max
T2: High Temp: -13°F to 450°F (-25°C to 232°C) Max.
T3: High-High Temp: -13°F to 500°F (-25°C to 260°C) Max.

Mounting
M1: 0.5-Inch: NPT Male, 0.5 in.
M3: 1.5-Quick-Clamp: 1.5 in. Tri-Clamp

Probe Length
L02: Probe-L1.5: Length - 1.5 in (3.8 cm)
L03: Probe-L3: Length - 3.0 in (7.6 cm)
L06: Probe-L6: Length - 6.0 in (15.2 cm)
L12: Probe-L12: Length - 12.0 in (30.5 cm) - Stock
L18: Probe-L18: Length - 18.0 in (45.7 cm)
L24: Probe-L24: Length - 24.0 in (60.9 cm) - Stock
L30: Probe-L30: Length - 30 in (76.2 cm)
L36: Probe-L36: Length - 36 in (91.4 cm)

Resolution
2: Standard Resolution: 5.0pA, Range 0 to 5000 pA
1: High Resolution: 0.5pA, Range 0 to 5000 pA

Ambient Temperature
S: Standard Ambient Temp: -13°F to 158°F (-25°C to 70°C)
L: Low Ambient Temp: -40°F to 158°F (-40°C to 70°C)

Base Unit
DD310.: DD-3000: 2-Wire Loop Powered
DD305.: DD-3000: 2 Relays 20 to 250 VAC/VDC
DD300.: DD-3000: 2 Relays 18 to 60 VDC



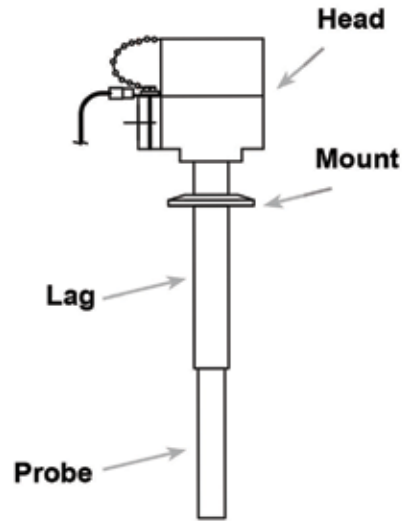
Dust Alert - 3000

The Dust Alert with integrated electronics and sensing probe utilizes inductive electrification technology to detect and alert—via an alarm relay or 4-20 mA output—when dust emissions exceed a preset point. This extremely sensitive method minimizes the influence of sensor contamination, particulate velocity change, or temperature drift. Designed to save time, reduce maintenance, and prevent downtime, the Dust Alert DD-3000 is ideal for baghouse leak detection and can be installed in stacks, ducts, or pipes.

Description	CODE	Part No.
BASE UNIT		
DD-3000-T: 2-Wire loop powered with 4-20 mA output, in a NEMA 4X IP65 Aluminum enclosure	DD310.	
DD-3000-A: 20 to 250 VAC/VDC dual relay output, in a NEMA 4X IP65 Aluminum enclosure	DD305.	
DD-3000-A: 18 to 60 VDC dual relay output, in a NEMA 4X IP65 Aluminum enclosure	DD300.	
AMBIENT TEMPERATURE		
Ambient Temp: -13°F to 158°F (-25°C to 70°C)	S	
Ambient Temp: -40°F to 158°F (-40°C to 70°C)	L	
RESOLUTION		
Standard Resolution: 5.0pA, Range 0 to 5000 pA	2	
High Resolution: 0.5pA, Range 0 to 5000 pA	1	
PROBE LENGTH		
Probe: Length - 1.5 in (3.8 cm)	L02	
Probe: Length - 3.0 in (7.6 cm)	L03	
Probe: Length - 6.0 in (15.2 cm)	L06	
Probe: Length - 12.0 in (30.5 cm)	L12	
Probe: Length - 18.0 in (45.7 cm)	L18	
Probe: Length - 24.0 in (60.9 cm)	L24	
Probe: Length - 30 in (76.2 cm)	L30	
Probe: Length - 36 in (91.4 cm)	L36	
MOUNTING		
Mount: NPT Male, 0.5 in.	M1	
Mount 1.5 in. Tri-Clamp	M3	
PROCESS TEMPERATURE		
Standard Process Temp: -13°F to 250°F (-25°C to 121°C) Max.	T1	
High Process Temp: -13°F to 450°F (-25°C to 232°C) Max.	T2	
High-High-Process Temp: -13°F to 500°F (-25°C to 260°C) Max.	T3	
PROCESS PRESSURE		
10 PSI Max.	1	
PROBE INSULATION		
Insulation: Teflon-coated probe	C	
Insulation: None	X	

Description	CODE	Part No.
AREA CLASSIFICATION		
Area Classification: Ordinary/General Purpose Only (CE Approved)	G	
FITTING		
1.5" X 3.0" 304 SS process fitting		175-0265

Mark X if none						
Sample						
PS10.	G	L10	T2	1	M1	S



Cable
S: PS 10 Particulate Sensor Cable
D: PS 10 Particulate Sensor Daisy Chain Cable
XX: ft. Cable Length (max. XX ft.)

Mounting
M1: NPT Male, 0.5 in.
M2: NPT Male, 0.75 in.
M3: 1.5 in. Tri-Clamp
M4: 2.0 in. Tri-Clamp
M6: 3.0 in. Tri-Clamp

Process Pressure
1: Standard: 10 PSI Max.
6: High: 50 PSI Max.

Process Temperature
T2: Standard Temp: -40°F to 250°F (-40°C to 120°C) Max.
T4: High Temp: -40°F to 450°F (-40°C to 232°C) Max.
T8: High-High Temp: -40°F to 800°F (-40°C to 426°C) Max.

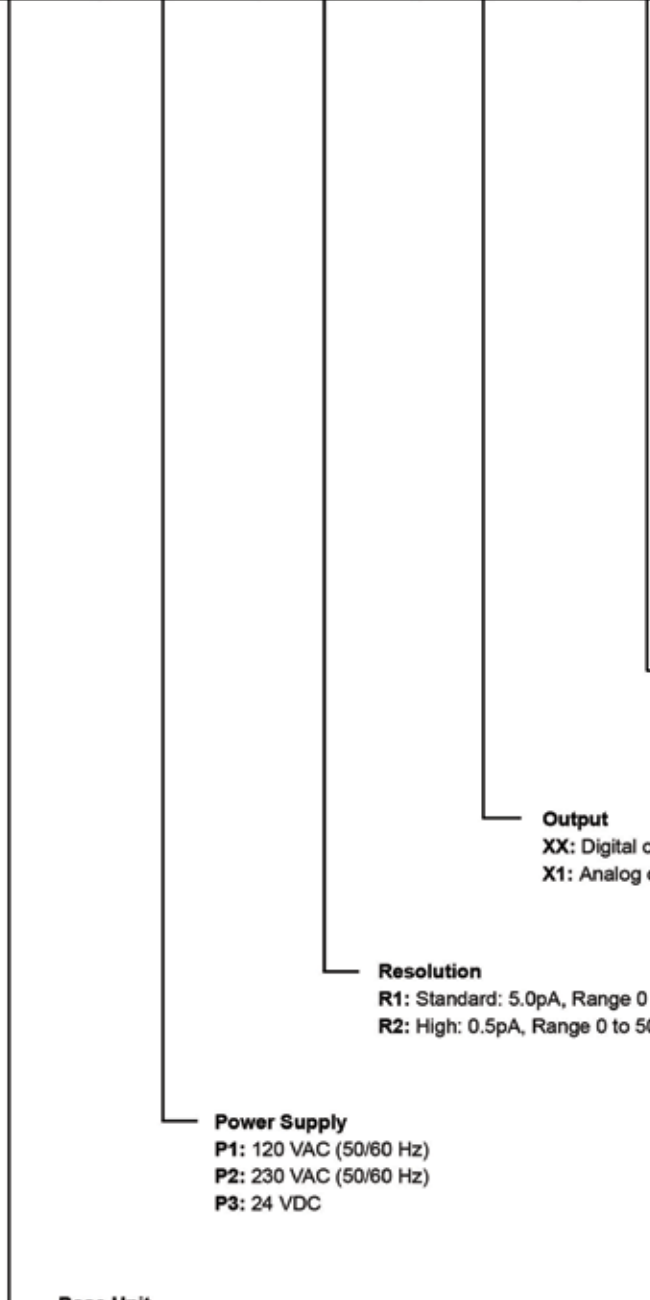
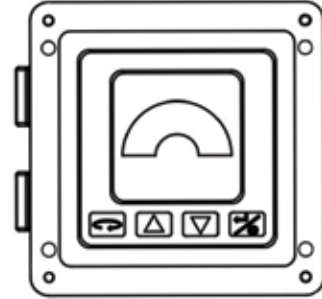
Probe Length
L02: Probe-L1.5: Length - 1.5 in (3.8 cm)
L03: Probe-L3: Length - 3.0 in (7.6 cm)
L06: Probe-L5: Length - 5.0 in (12.7 cm)
L10: Probe-L10: Length - 10 in (25.4 cm)
L15: Probe-L15: Length - 15 in (38.1 cm)
L20: Probe-L20: Length - 20 in (50.9 cm)
L30: Probe-L30: Length - 30 in (76.2 cm)
L36: Probe-L36: Length - 36 in (91.4 cm)

Area Classification
G: Ordinary
A2: Hazloc
A3: HazLoc IS

Base Unit
PS10.: PS-10 Particulate Sensor

Description	CODE
BASE UNIT	
PS-10 Particulate Sensor in NEMA 4X housing to connect probe to BM-30LGX monitor	PS10.
AREA CLASSIFICATION	
Area Classification: Ordinary/General Purpose Only (CE Approved)	G
Area Classification: Hazardous Location, Intrinsically Safe, CSA Approval, Class I, II, & III, Division I & II, All Groups	A2
Area Classification: Hazardous Location, Intrinsically Safe, CSA Approval, Class I, II, & III, Division II, Groups A-D, F, G	A3
PROBE LENGTH	
Probe: Length - 1.5 in (3.8 cm) Teflon-coated stainless steel probe	L02
Probe: Length - 3.0 in (7.6 cm) Teflon-coated stainless steel probe	L03
Probe: Length - 5.0 in (12.7 cm) Teflon-coated stainless steel probe	L05
Probe: Length - 10 in (25.4 cm) Teflon-coated stainless steel probe	L10
Probe: Length - 15 in (38.1 cm) Teflon-coated stainless steel probe	L15
Probe: Length - 20 in (50.9 cm) Teflon-coated stainless steel probe	L20
Probe: Length - 30 in (76.2 cm) Teflon-coated stainless steel probe	L30
Probe: Length - 36 in (91.4 cm) Teflon-coated stainless steel probe	L36
PROCESS TEMPERATURE	
Standard Process Temp: -40°F to 250°F (-40°C to 120°C) Max.	T2
High Process Temp: -40°F to 450°F (-40°C to 232°C) Max.	T4
High-High-Process Temp: -40°F to 800°F (-40°C to 426°C) Max.	T8
PROCESS PRESSURE	
Standard: 10 PSI Max.	1
High: PSI Max. (Flange, 0.75 in. NPT, or 2 in Quick-clamp only)	5
MOUNTING	
NPT Male, 0.5 in., (For 10 PSI Max.)	M1
NPT Male, 0.75 in., (For 50 PSI Max. and/or 500 °F peak)	M2
Quick clamp (1.5 in. Tri-Clamp with 1 in. NPT process connection, For 10 PSI Max.)	M3
Quick clamp (2.0 in. Tri-Clamp with 1.5 in. NPT process connection, For 50 PSI Max. and/or 500 °F peak and/or air purge)	M4
Quick clamp (3.0 in. Tri-Clamp with 2.0 in. NPT process connection, For faraday cage, 10 PSI Max., Probe Length ≤ 20 in)	M5
CABLE	
Base Cable: PS 10 Particulate Sensor Cable Standard	S
Base Cable: PS 10 Particulate Sensor Daisy Chain Cable	D
ft. cable length	XX

Mark X if none				
Sample				
BM-30LGX	P1	R1	XX	A1



Area Classification
A1: Ordinary/General Purpose Only
A2: Class I, II & III sensor

Output
XX: Digital outputs: (2) Relays (Standard)
X1: Analog outputs: (1) 4-20 mA Isolated

Resolution
R1: Standard: 5.0pA, Range 0 to 5000 pA
R2: High: 0.5pA, Range 0 to 5000 pA

Power Supply
P1: 120 VAC (50/60 Hz)
P2: 230 VAC (50/60 Hz)
P3: 24 VDC

Base Unit
BM-30LGX: BM30-LGX Particulate monitor control unit, NEMA 4X aluminum enclosure

BM30-LGX Control Unit

The BM30-LGX particulate monitor detects dusts, powders, granulars and pellets—as well as liquid particulates such as mists—before emissions are visible, helping companies meet regulatory requirements and preventing the escape of valuable powders. The BM30-LGX consists of a control unit, a particulate sensor, and a sensor coaxial cable. The control unit's LCD display allows for easy setup and adjustment of parameters and variable output monitoring. Applications for the BM30-LGX include continuous emissions monitoring, baghouse filter leak detection, and process particulate flow monitoring. The BM30-LGX is CE conformant, CSA certified, and complies with EN 61010, safety requirements for electrical equipment for measurement, control and laboratory use.



Description	CODE
BASE UNIT	
BM30-LGX Particulate monitor control unit in NEMA 4X aluminum enclosure	BM-30LGX
POWER SUPPLY	
120 VAC (50/60 Hz)	P1
230 VAC (50/60 Hz)	P2
24 VDC	P3
RESOLUTION	
Standard: 5.0pA, Range 0 to 5000 pA	R1
High: 0.5pA, Range 0 to 5000 pA	R2
OUTPUT	
Digital outputs: (2) Relays (Standard)	XX
Analog outputs: (1) 4-20 mA Isolated	X1
AREA CLASSIFICATION	
Area Classification: Ordinary/General Purpose Only (CE Approved)	A1
Area Classification: CSA C & US approved for use with Class I, II, and III sensor	A2