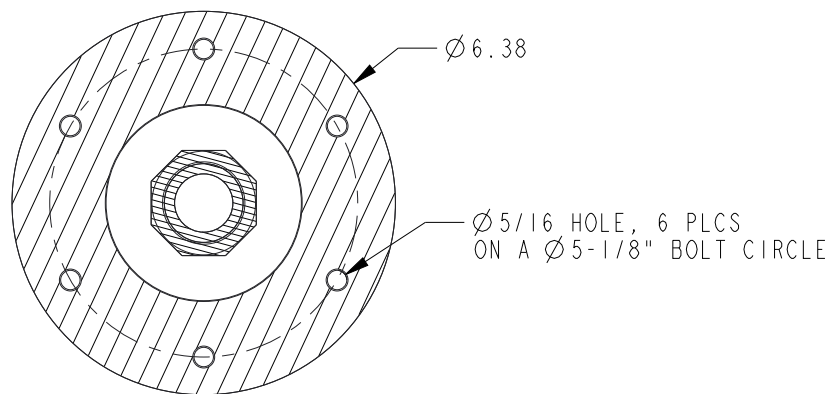
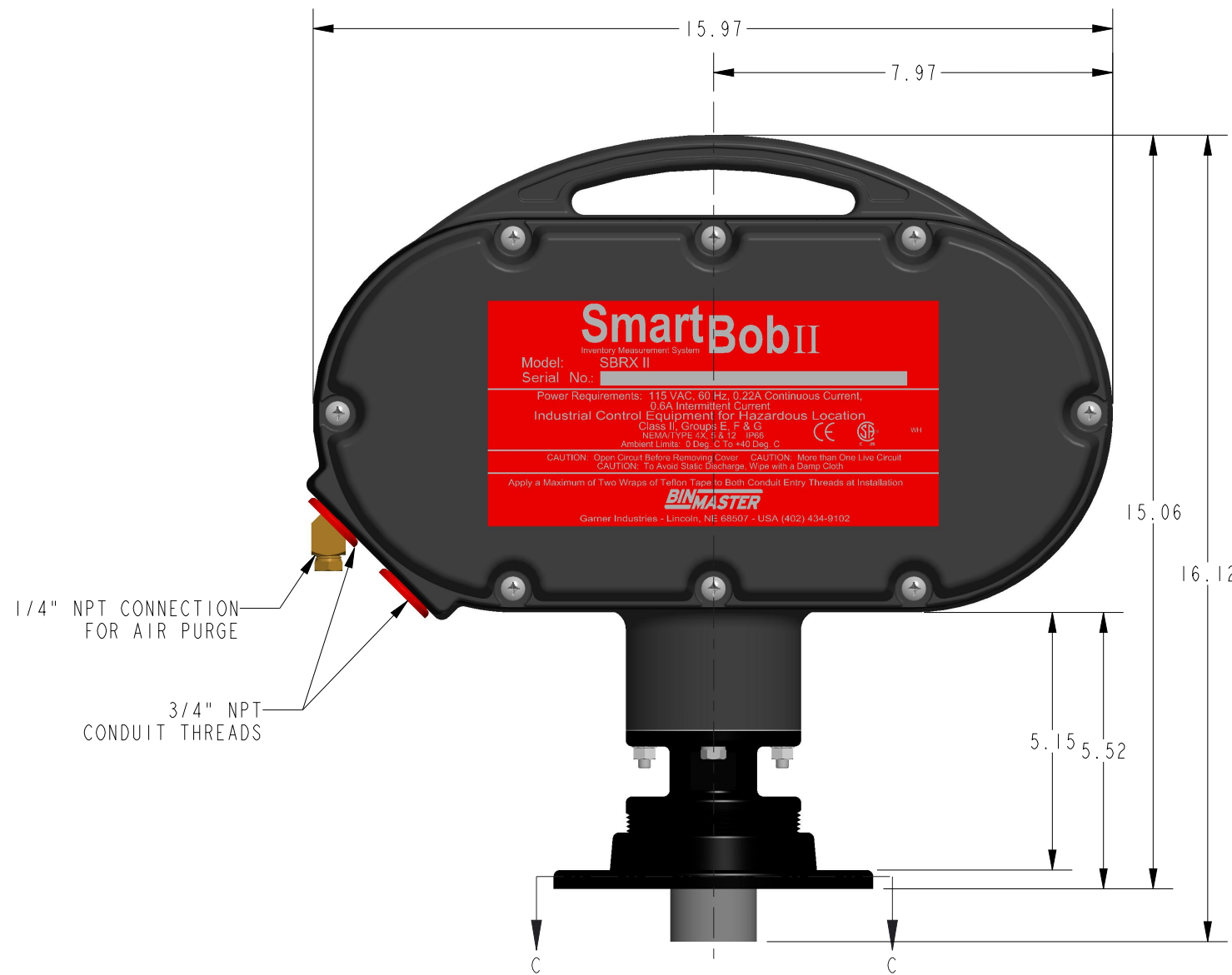


This drawing is the property of Garner Industries. It is issued in confidence on the condition that it is to be returned on request and that it is not to be copied or reproduced in any way, or used in the manufacture of the subject matter thereof without the written consent of Garner Industries.

DIMENSIONS ARE IN INCHES UNLESS NOTED OTHERWISE



Division of Garner Industries / 7201 North 98th Street / Lincoln, NE 68507
(402) 434-9102 / fax (402) 434-9144 \ www.binmaster.com



SCALE 0.313

TITLE: MTG DIM, FINAL ASS'Y, SBR II & AO



SCALE 0.250

Model No.:	SBR AO 230	P/N:	730-5156
Model No.:	SBR AO 115	P/N:	730-5154
Model No.:	SBR II 230	P/N:	730-5039
Model No.:	SBR II 115	P/N:	730-5038

DWG No.: 418-0082

REVISION B

PAGE 1 OF 1