

This drawing is the property of Garner Industries. It is issued in confidence on the condition that it is to be returned on request and that it is not to be copied or reproduced in any way, or used in the manufacture of the subject matter thereof without the written consent of Garner Industries.

DIMENSIONS ARE IN INCHES UNLESS NOTED OTHERWISE



Division of Garner Industries / 7201 North 98th Street / Lincoln, NE 68507
(402) 434-9102 / fax (402) 434-9144 \ www.binmaster.com

AVAILABLE HORIZONTAL EXTENSION ASS'Y OPTIONS

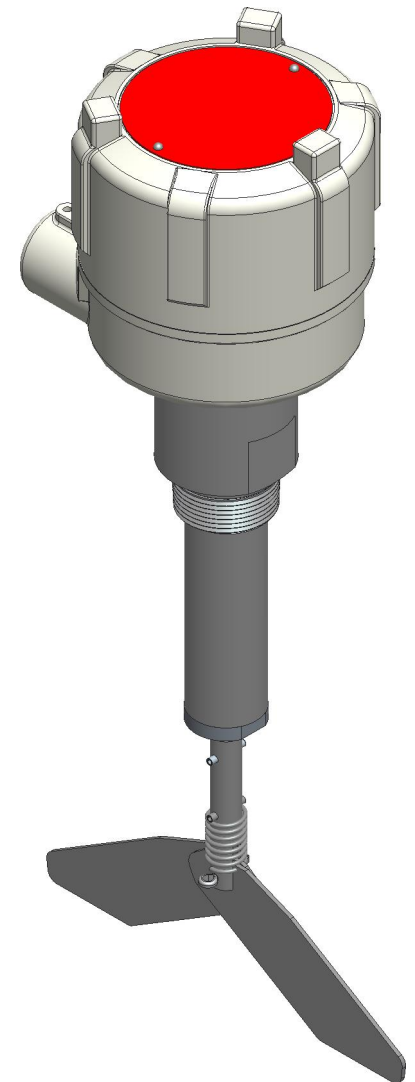
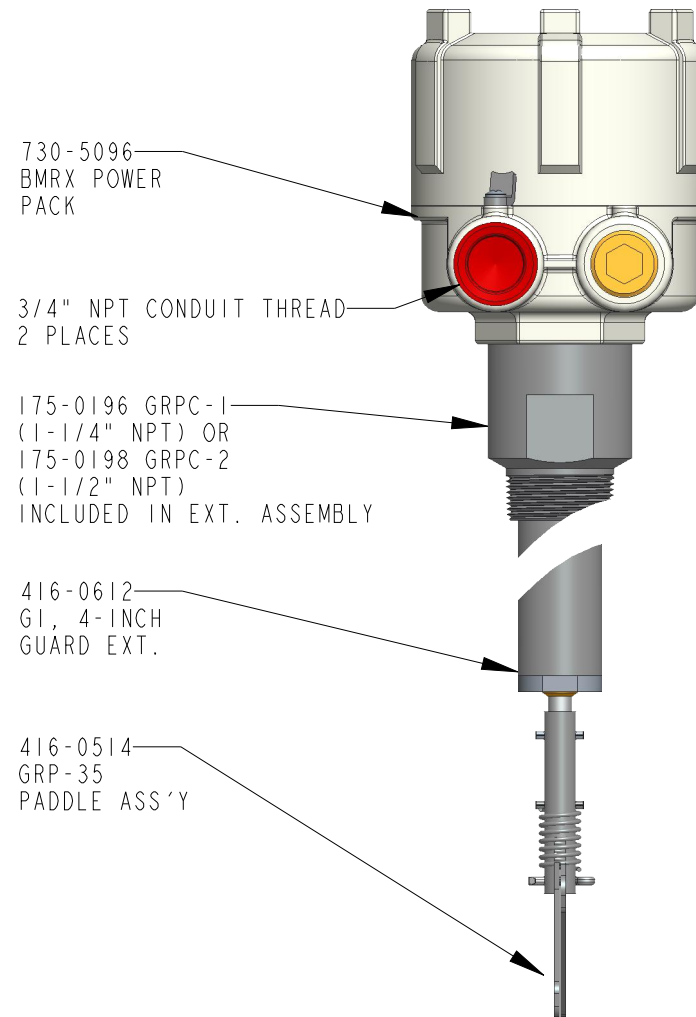
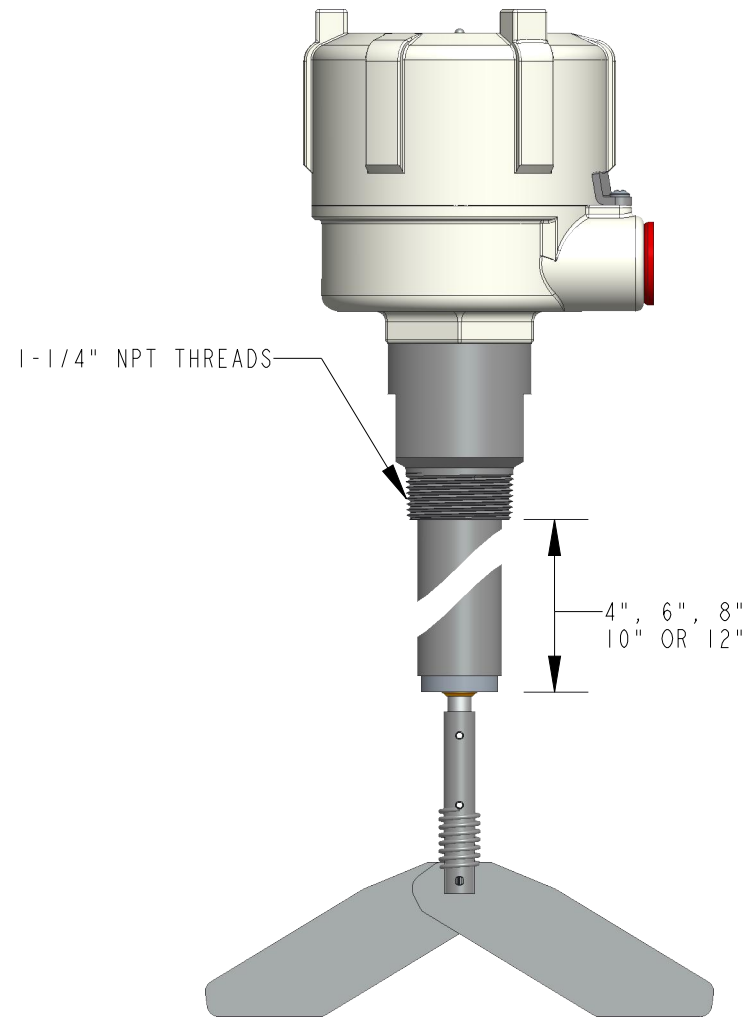
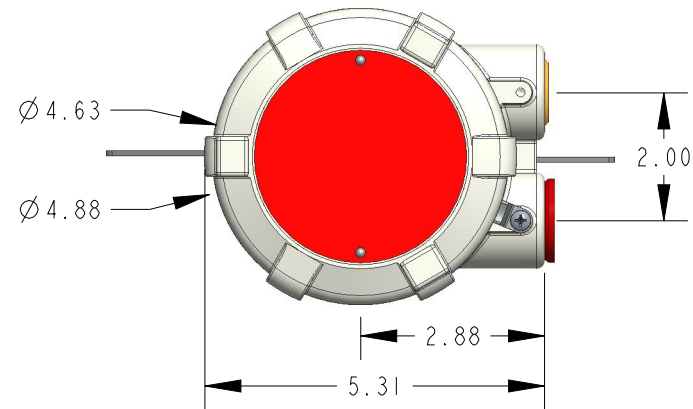
EXT. NO.	ASS'Y P/N
G1	416-0612
G2	416-0618
G3	416-0496
G4	416-0497
G5	416-0498
G6	416-0499
G7	416-0500
G8	416-0501
G9	416-0502
G10	416-0503

AVAILABLE HORIZONTAL EXTENSION ASS'Y PADDLES

PADDLE NO.	ASS'Y P/N
R1	299-0009
R2	299-0010
R3	416-0161
R4	416-0152
R5	416-0153
R6	416-0160
R7	416-0154
R8	416-0259
R9	416-0261
R10	416-0265
R11	416-0266
R12	416-0336
R13	416-0430
R14	416-0100
R15	416-0487
R16	416-0513
R17	416-0514
R18	416-0556
R19	416-0557

SCALE 0.333

TITLE: MTG DIM, BMRX W/ 4" GUARD EXT. & PADDLE



Model No.: BMRX 24 DC	P/N: 730-5166
Model No.: BMRX 24 AC	P/N: 730-5098
Model No.: BMRX 230 VAC	P/N: 730-5097
Model No.: BMRX 115 VAC	P/N: 730-5096

DWG No.: 418-0192

REVISION
A
PAGE
1 OF 1