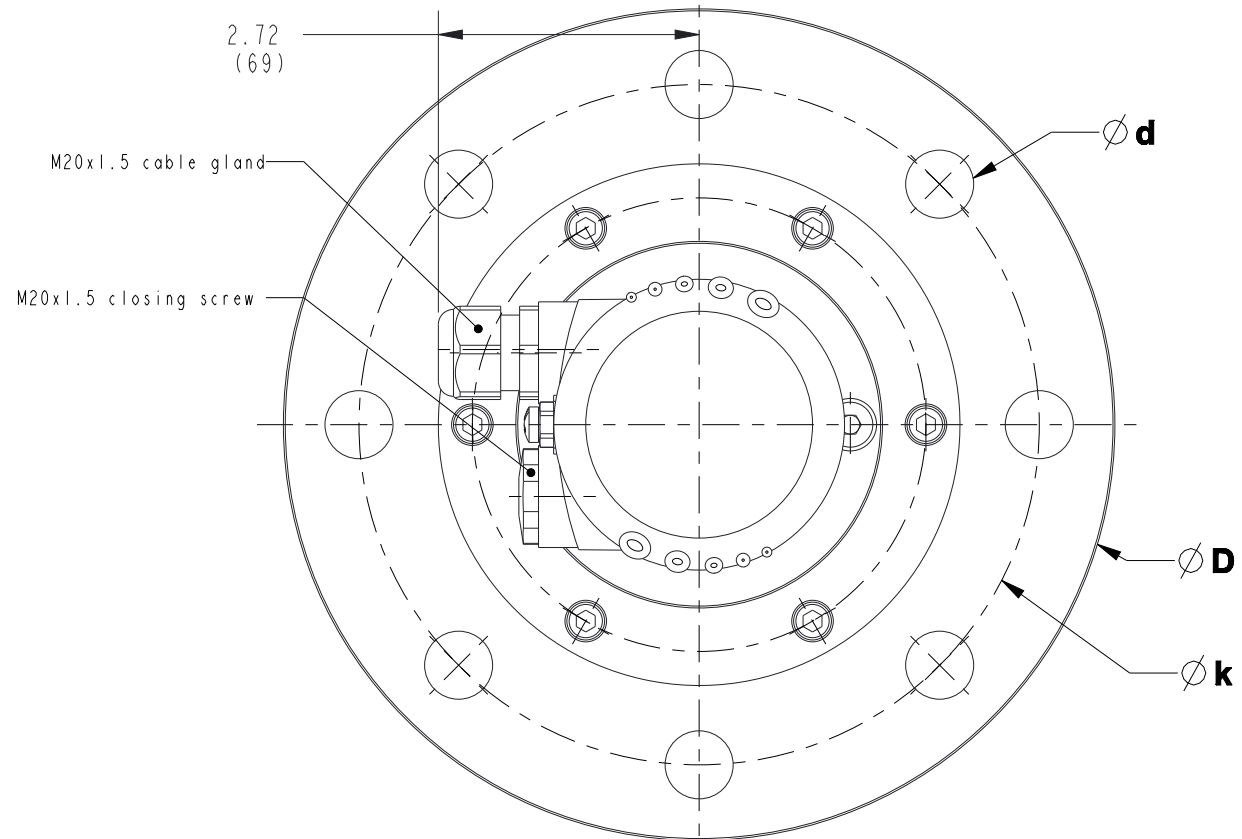


This drawing is the property of Gamer Industries. It is issued in confidence on the condition that it is to be returned on request and that it is not to be copied or reproduced in any way, or used in the manufacture of the subject matter thereof without the written consent of Gamer Industries.

DIMENSIONS ARE IN INCHES UNLESS NOTED OTHERWISE

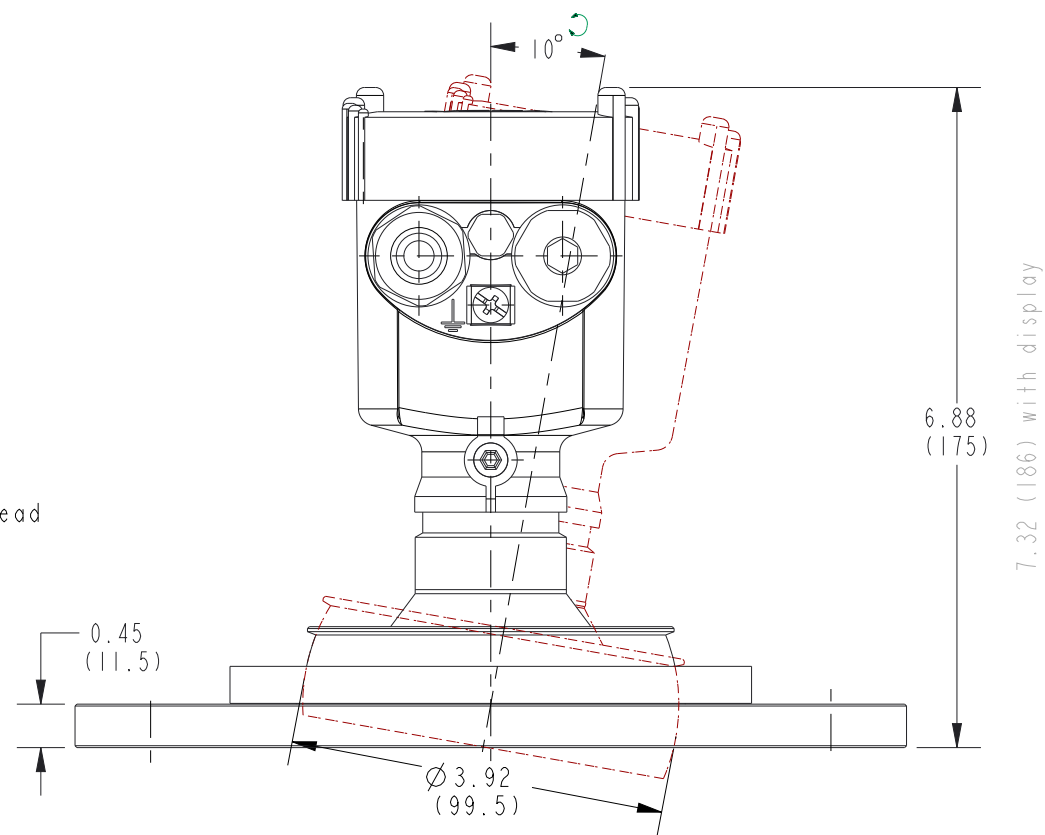
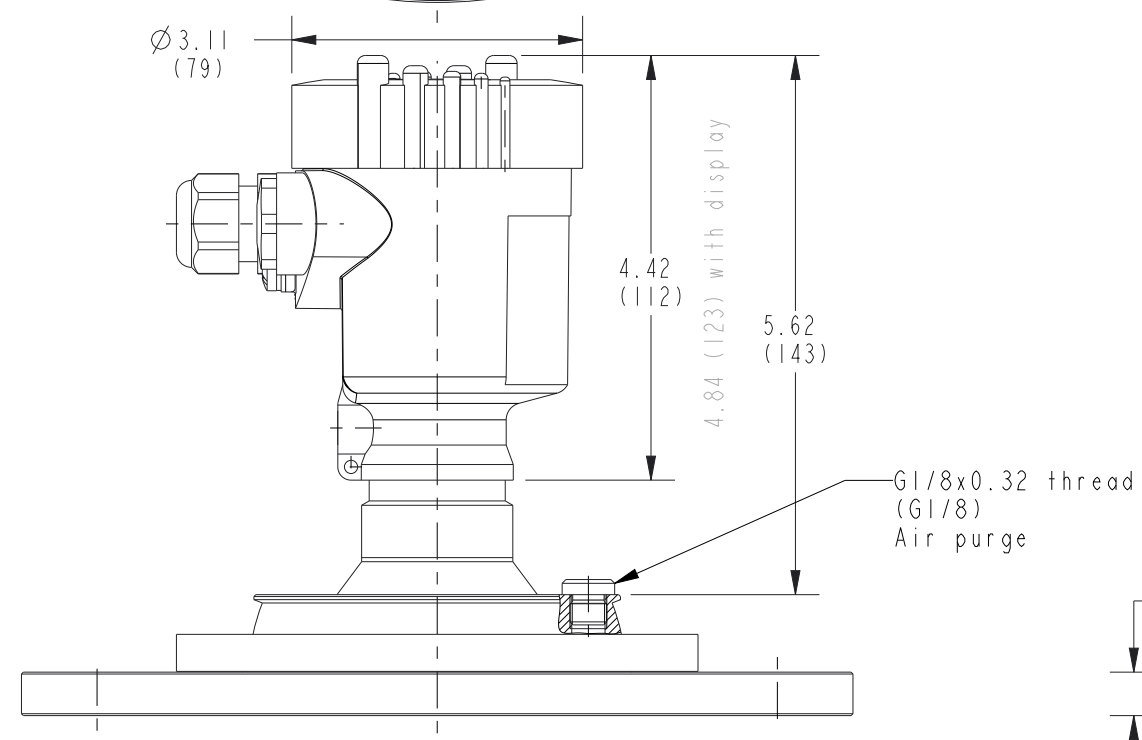


Division of Gamer Industries / 7201 North 98th Street / Lincoln, NE 68507
(402) 434-9102 / fax (402) 434-9144 \ www.binmaster.com



Flange	ØD	Øk	Ød	No. & Size of Holes
ASME B 16.5				
ASME 4" 150 FF (max. 3bar)	9"	7.5"	0.75"	8x45° (=360°)
ASME 6" 150 FF (max. 3bar)	11"	9.5"	0.88"	8x45° (=360°)
ASME 8" 150 FF (max. 3bar)	13.5"	11.75"	0.88"	8x45° (=360°)

Dimensions: Inches (mm)



SCALE 1:2

REVISION A

TITLE: MTG DIM, NCR-80, NON-CONTACT RADAR SWIVEL ADAPTER FLANGE

Model No.: -

P/N: 771-0000

DWG No.: 418-0198

PAGE 1 OF 1