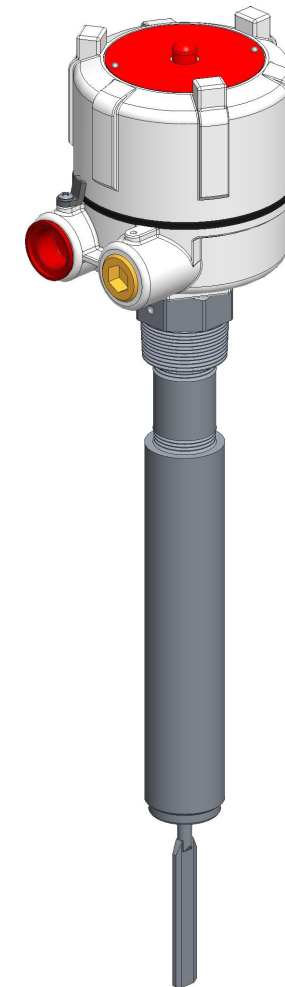
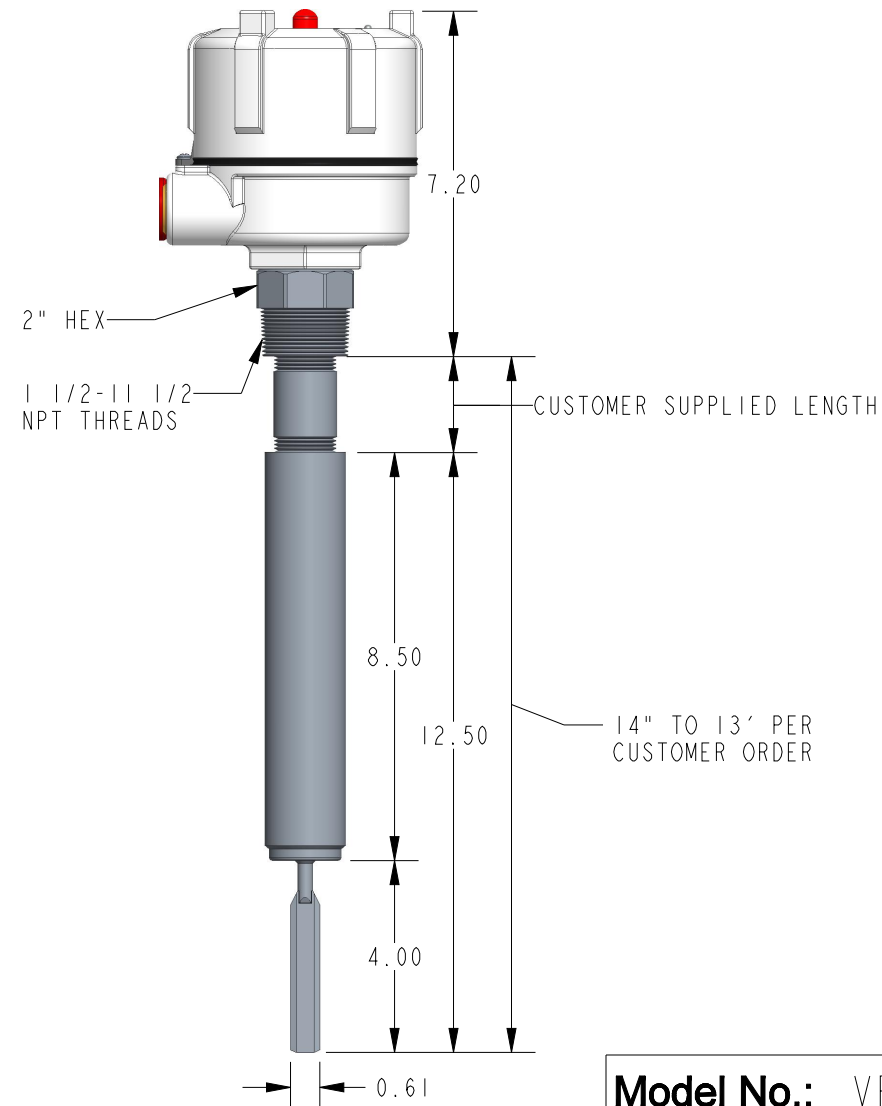
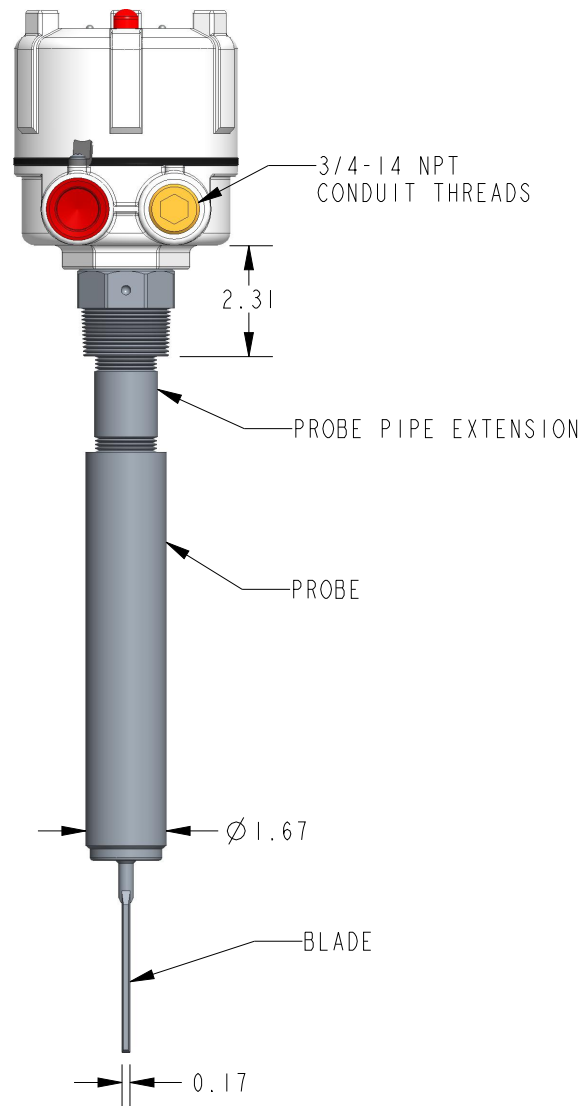
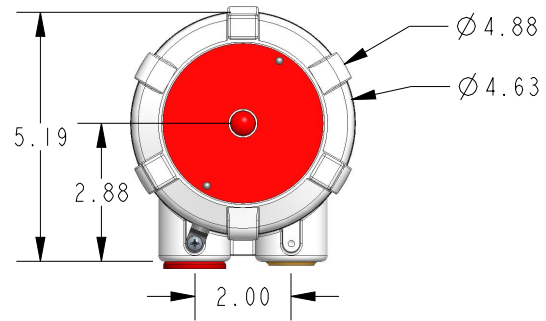


This drawing is the property of Gamer Industries. It is issued in confidence on the condition that it is to be returned on request and that it is not to be copied or reproduced in any way, or used in the manufacture of the subject matter thereof without the written consent of Gamer Industries.

DIMENSIONS ARE IN INCHES UNLESS NOTED OTHERWISE



Division of Gamer Industries / 7201 North 98th Street / Lincoln, NE 68507
(402) 434-9102 / fax (402) 434-9144 \ www.binmaster.com



Model No.:	VR-41-SED	P/N:	530-0735
Model No.:	VR-41-REM	P/N:	530-0653
Model No.:	VR-41-HT	P/N:	530-0676
Model No.:	VR-41-X	P/N:	730-5131
Model No.:	VR-41	P/N:	730-5136

SCALE 0.250

TITLE: MTG DIM, VIBRATING ROD, VR-41

REVISION
A

PAGE
1 OF 1

DWG No.: 418-0149