

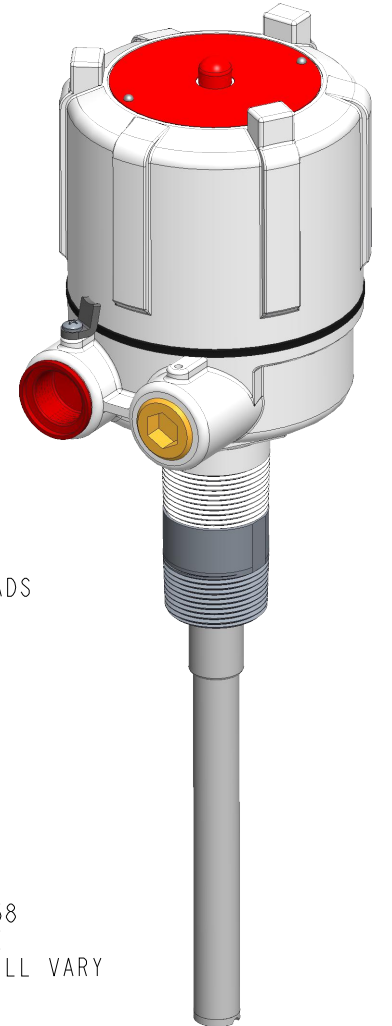
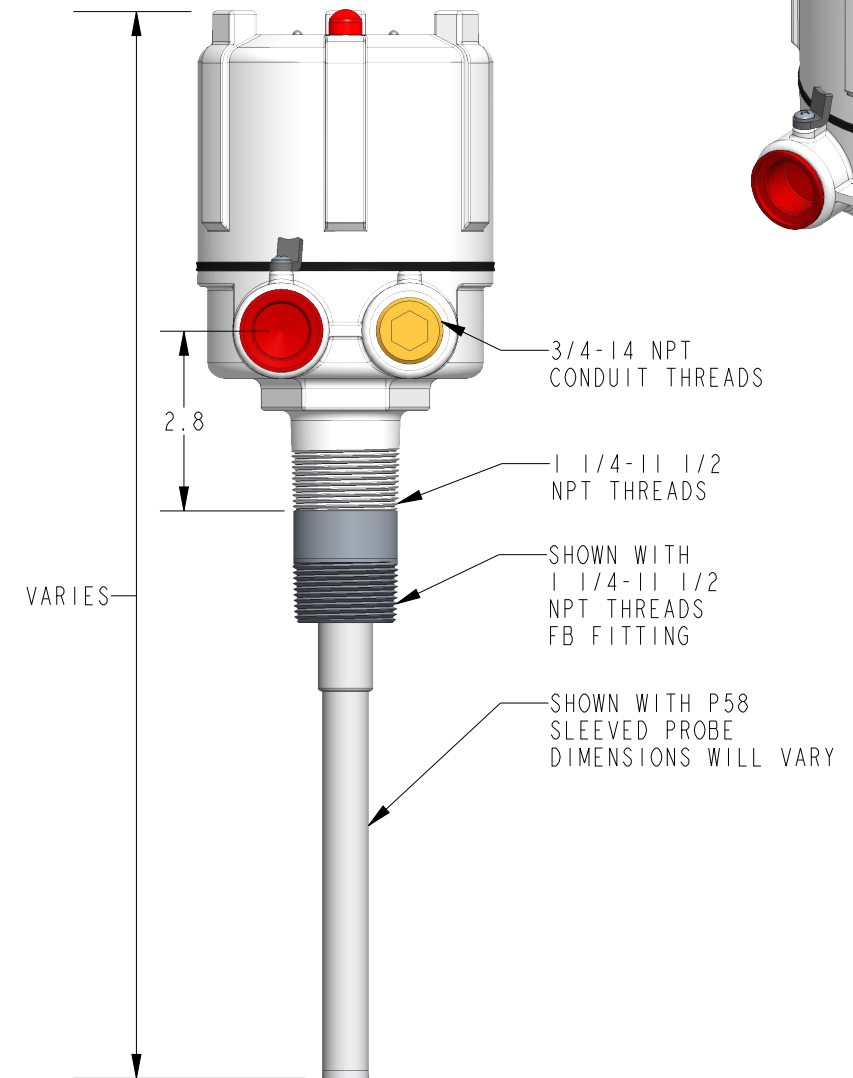
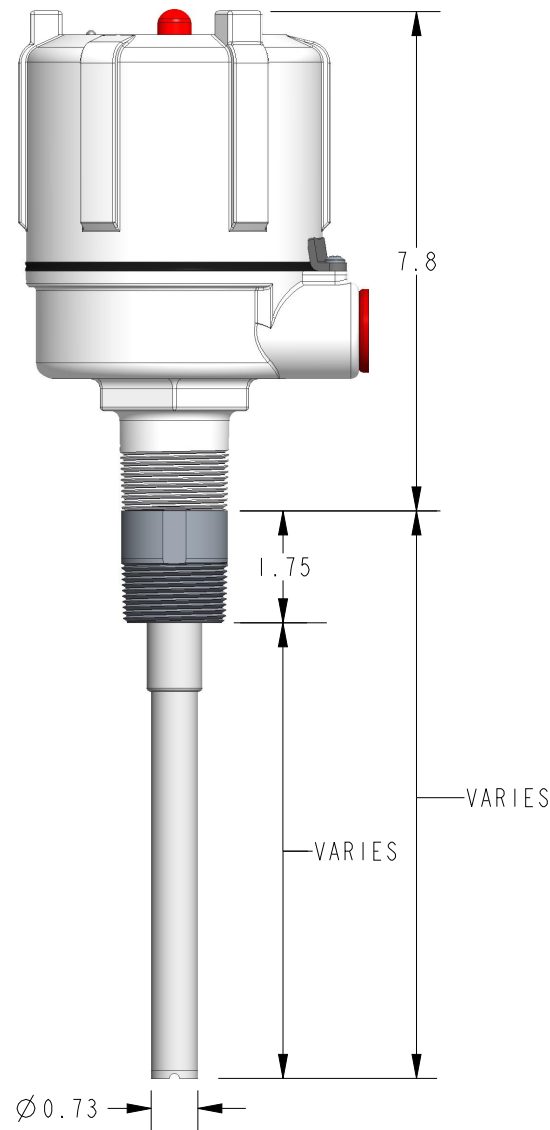
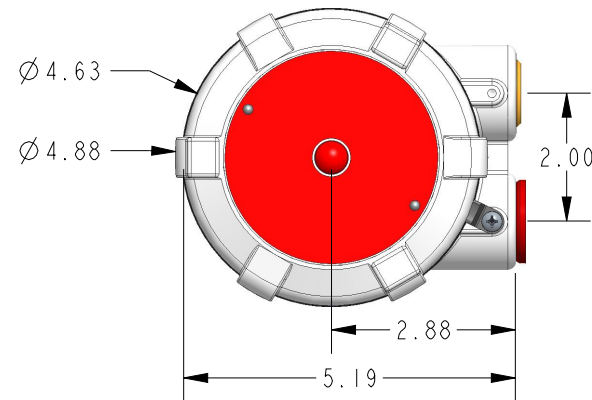
This drawing is the property of Garner Industries. It is issued in confidence on the condition that it is to be returned on request and that it is not to be copied or reproduced in any way, or used in the manufacture of the subject matter thereof without the written consent of Garner Industries.

DIMENSIONS ARE IN INCHES UNLESS NOTED OTHERWISE



Division of Garner Industries / 7201 North 98th Street / Lincoln, NE 68507  
(402) 434-9102 / fax (402) 434-9144 \ www.binmaster.com

AVAILABLE PROBE ASS'Y OPTIONS		AVAILABLE PROBE ASS'Y OPTIONS		AVAILABLE PROBE ASS'Y OPTIONS	
PROBE NO.	ASS'Y P/N	PROBE NO.	ASS'Y P/N	PROBE NO.	ASS'Y P/N
P1	530-0197	P28	530-0267	P83	530-0529
P2	530-0243	P29	530-0268	P84	530-0530
P3	530-0244	P30	530-0234	P85	530-0531
P4	530-0245	P31	530-0235	P87	530-0519
P5	530-0246	P32	530-0236	P88	530-0546
P6	530-0247	P33	530-0237	P89	530-0544
P7	530-0210	P34	530-0200	P90	530-0571
P8	530-0214	P37	530-0215	P91	530-0564
P9	530-0211	P38	530-0212	P93	530-0600
P12	530-0259	P39	530-0227	P94	530-0645
P13	530-0254	P40	530-0228	P97	530-0835
P14	530-0255	P56	530-0266	HD	530-0834
P15	530-0256	P57	530-0265	<b>AVAILABLE FITTING OPTIONS</b>	
P16	530-0257	P58	530-0277		
P17	530-0258	P59	530-0305	FA	175-0083
P18	530-0264	P62	530-0202	FB	175-0082
P19	530-0196	P63	530-0276	FC	175-0093
P20	530-0260	P64	530-0501	FD	175-0097
P21	530-0238	P69	530-0082	FE	175-0098
P22	530-0239	P70	530-0295	FF	175-0099
P23	530-0240	P71	530-0199	FI	416-0431
P24	530-0241	P72	530-0221	FJ	416-0432
P25	530-0242	P74	530-0526	FG	175-0107
P26	530-0213	P78	530-0449	FH	175-0109
P27	530-0198	P81	530-0194	FM	175-0227
				FN	175-0237



SCALE 0.333

TITLE: MTG DIM, CUSTOM PROCAP I & II

Model No.: PROCAP I

P/N: 730-5054

REVISION A

Model No.: PROCAP II

P/N: 730-5053

DWG No.: 418-0126

PAGE 1 OF 1