

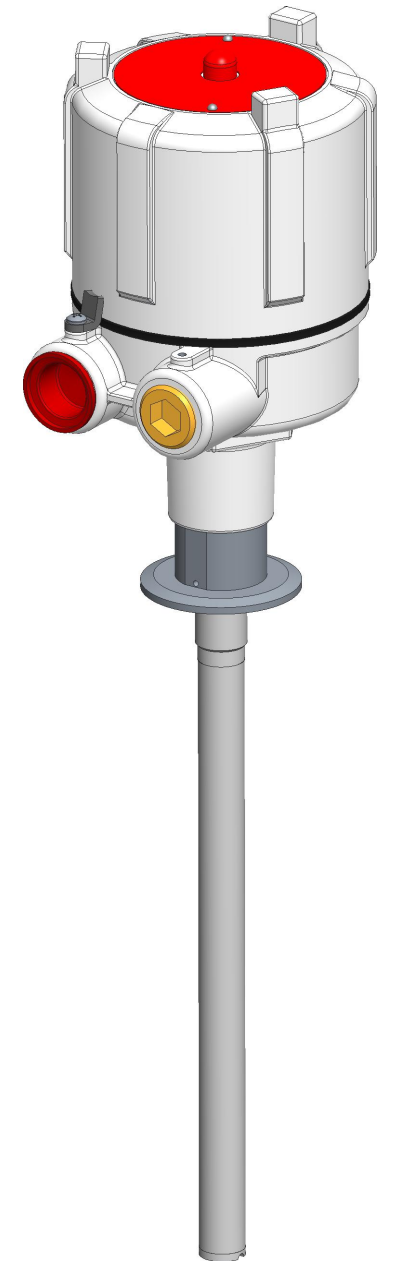
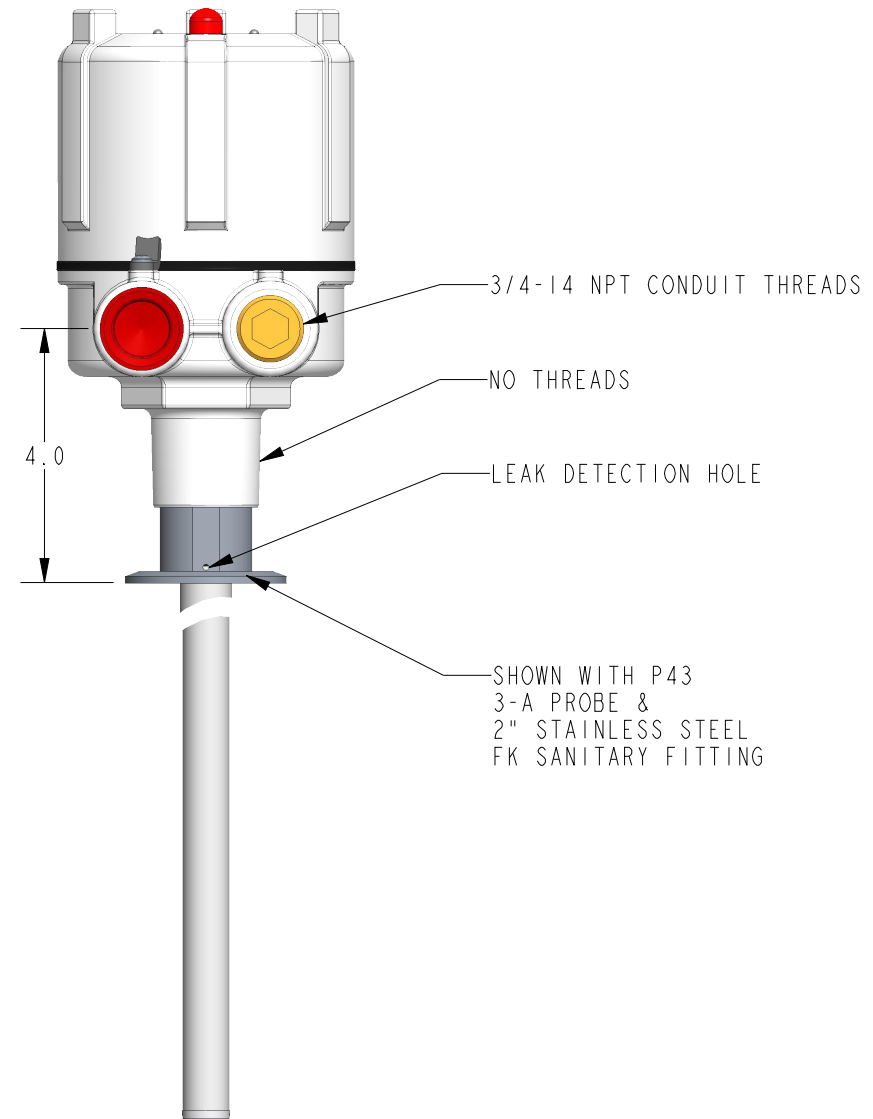
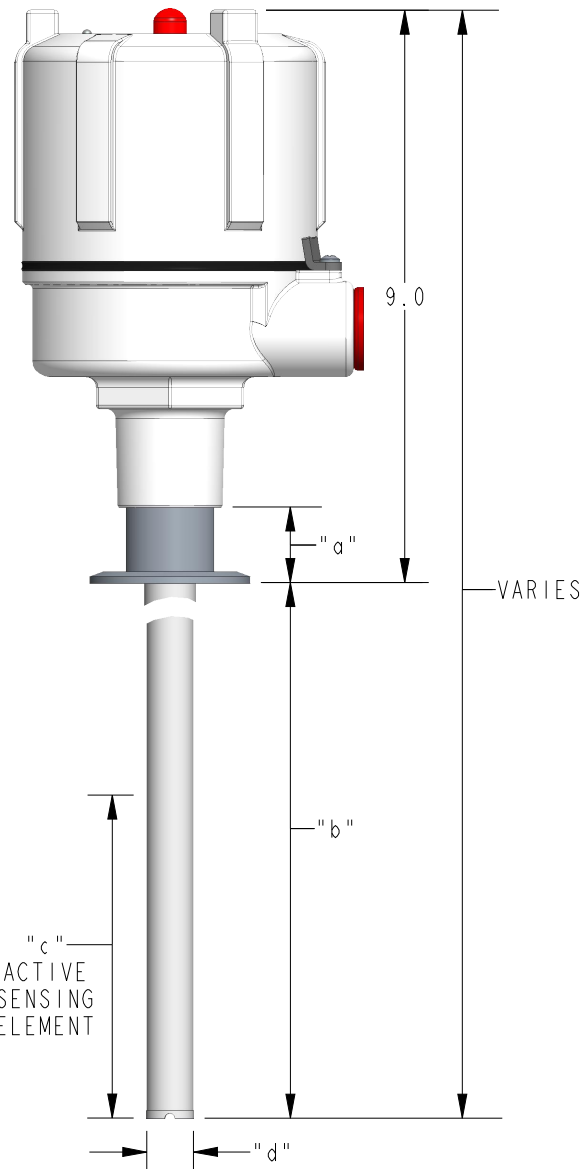
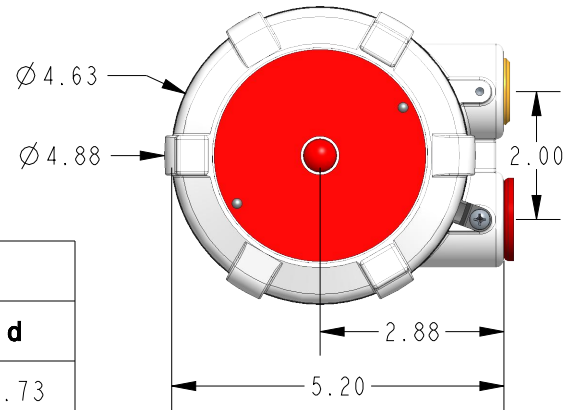
This drawing is the property of Gamer Industries. It is issued in confidence on the condition that it is to be returned on request and that it is not to be copied or reproduced in any way, or used in the manufacture of the subject matter thereof without the written consent of Gamer Industries.

DIMENSIONS ARE IN INCHES UNLESS NOTED OTHERWISE



Division of Gamer Industries / 7201 North 98th Street / Lincoln, NE 68507
(402) 434-9102 / fax (402) 434-9144 \ www.binmaster.com

FLEXIBLE PROBE ASS'Y AVAILABLE OPTIONS		FG, FH & FK FITTINGS			
PROBE NO.	ASS'Y P/N	a	b	c	d
P42	530-0229	1.18	11.2	11.2	0.73
P43	530-0225	1.18	11.2	5.12	0.73
P44	530-0248	1.18	19.01	12.93	0.73
P45	530-0249	1.18	25.01	18.93	0.73
P46	530-0250	1.18	31.01	24.93	0.73
P47	530-0251	1.18	37.01	30.93	0.73
P48	530-0252	1.18	49.01	42.93	0.73
P49	530-0233	1.18	11.2	5.12	0.73
P50	530-0269	1.18	16.01	5.34	0.73
P51	530-0270	1.18	19.01	8.34	0.73
P52	530-0271	1.18	25.01	14.34	0.73
P53	530-0272	1.18	31.01	20.34	0.73
P54	530-0273	1.18	37.01	26.34	0.73
P55	530-0274	1.18	49.01	38.34	0.73
P67	530-0287	1.18	7.7	4.12	0.73
P68	530-0288	1.18	5.02	5.02	0.73



SCALE 0.333

TITLE: MTG. DIM, PROCAP I & II 3-A SANITARY

Model No.: PROCAP II 3A

P/N: 730-5056

Model No.: PROCAP I 3A

P/N: 730-5055

DWG No.: 418-0106

REVISION A

PAGE 1 OF 1