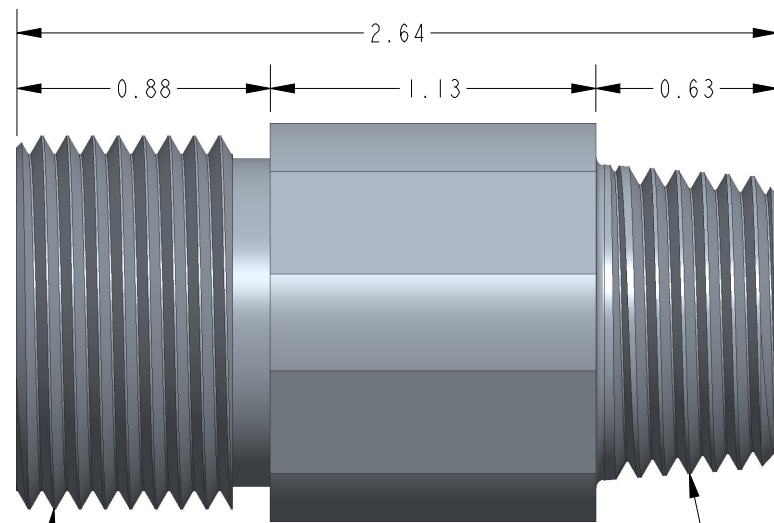
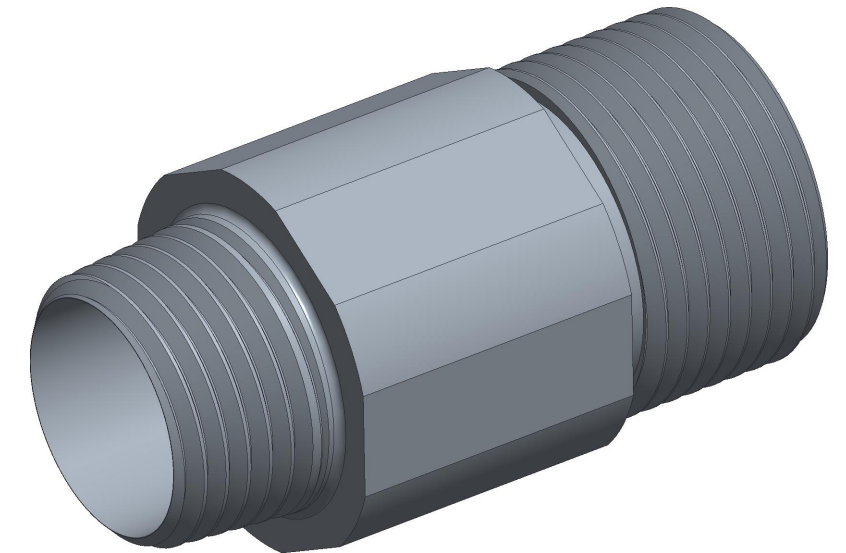


This drawing is the property of Garner Industries. It is issued in confidence on the condition that it is to be returned on request and that it is not to be copied or reproduced in any way, or used in the manufacture of the subject matter thereof without the written consent of Garner Industries.

DIMENSIONS ARE IN INCHES UNLESS NOTED OTHERWISE

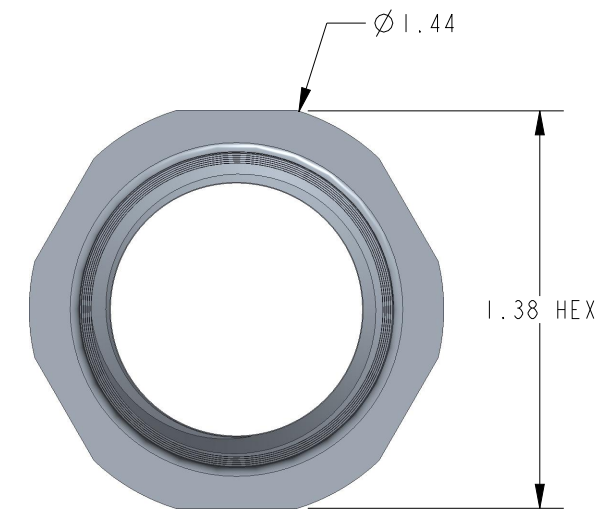


Division of Garner Industries / 7201 North 98th Street / Lincoln, NE 68507  
(402) 434-9102 / fax (402) 434-9144 \ www.binmaster.com



1" - 11 1/2 NPS THREADS

3/4" - 14 NPT THREADS



SCALE 1.500

REVISION  
A

TITLE: MTG DIM, COUPLING 1 NPS TO 0.75 NPT DELRIN PROBE

Model No.: FA

P/N: 175-0083

DWG No.: 418-0202

MATERIAL: 303 SS

PAGE  
1 OF 1