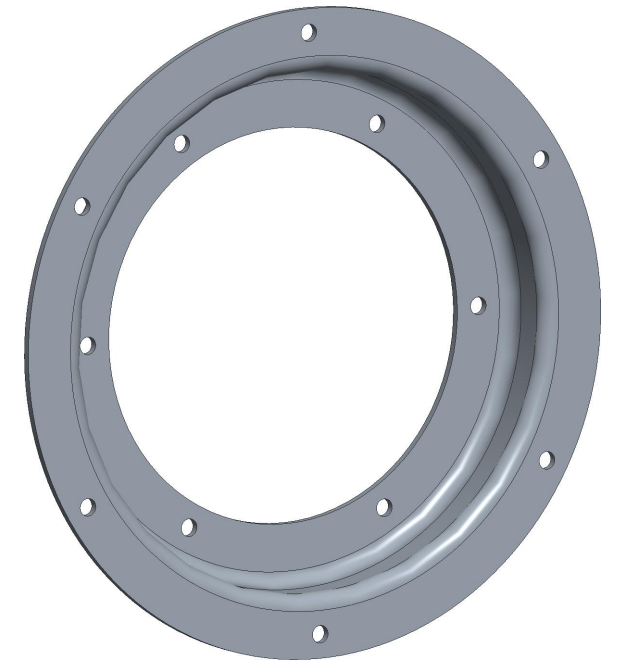
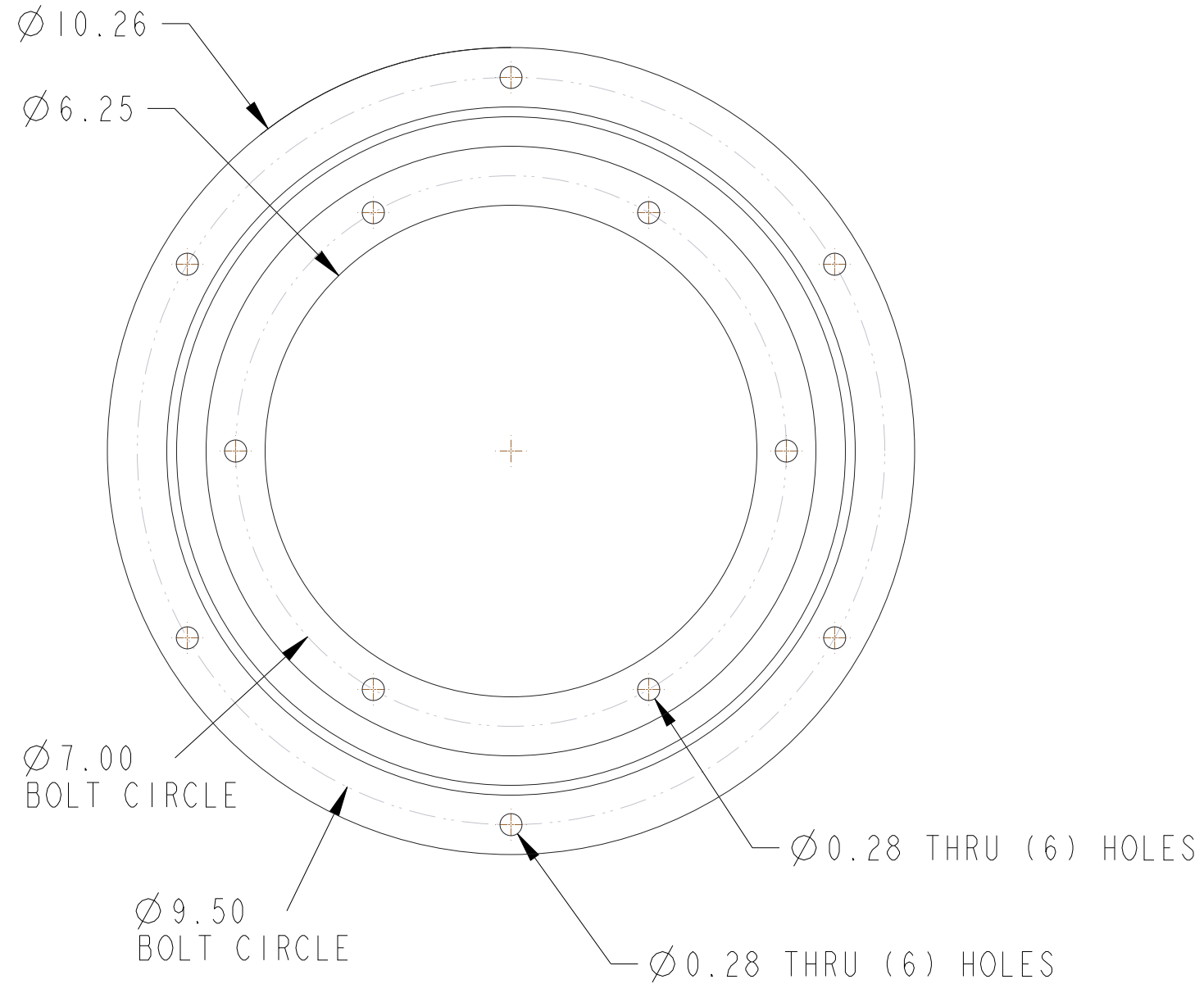
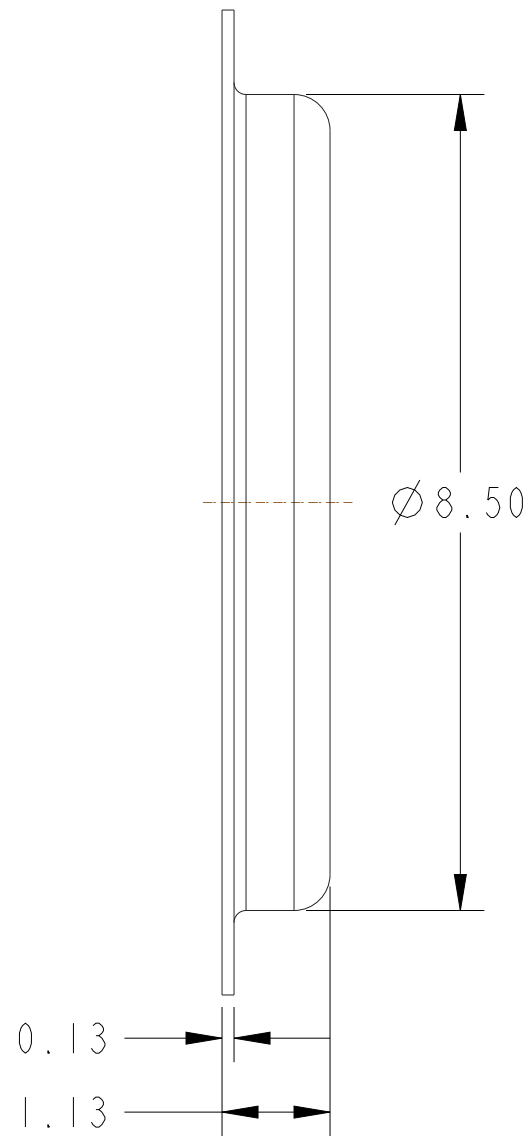


This drawing is the property of Gamer Industries. It is issued in confidence on the condition that it is to be returned on request and that it is not to be copied or reproduced in any way, or used in the manufacture of the subject matter thereof without the written consent of Gamer Industries.

DIMENSIONS ARE IN INCHES UNLESS NOTED OTHERWISE



Division of Gamer Industries / 7201 North 98th Street / Lincoln, NE 68507
(402) 434-9102 / fax (402) 434-9144 \ www.binmaster.com



SCALE 0.500

REVISION
A

TITLE: MTG DIM, BIN WALL ADAPTER SPACER, FLUSH MNT PROBE Model No.: - P/N: 290-0071 DWG No.: 418-0212 MATERIAL: HR P&O

PAGE
1 OF 1