



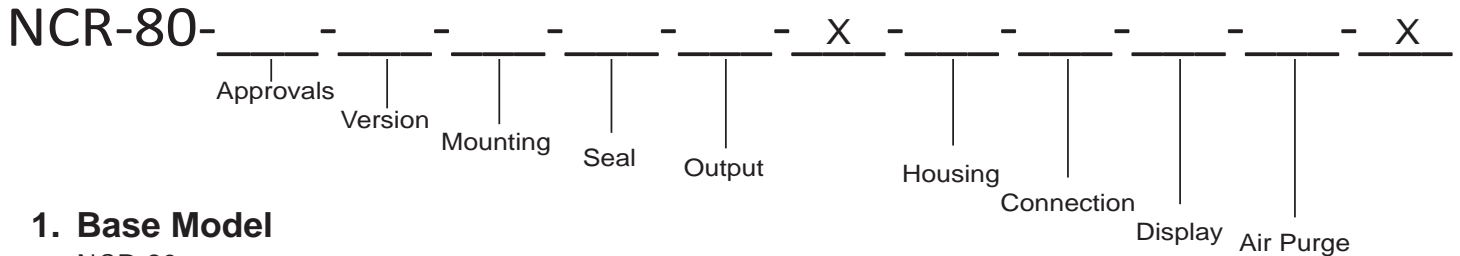
NON-CONTACT RADAR



Prices Subject To Change Without Notice
Not responsible for errors or omissions
FOB Lincoln, Nebraska USA

7201 N. 98th St., Lincoln, NE 68507 • P.O. Box 29709, Lincoln, NE 68529
Phone: 800-278-4241 or 402-434-9102 • Fax: 402-434-9133
www.binmaster.com • info@binmaster.com

Configure NCR-80



use x if none

1. Base Model

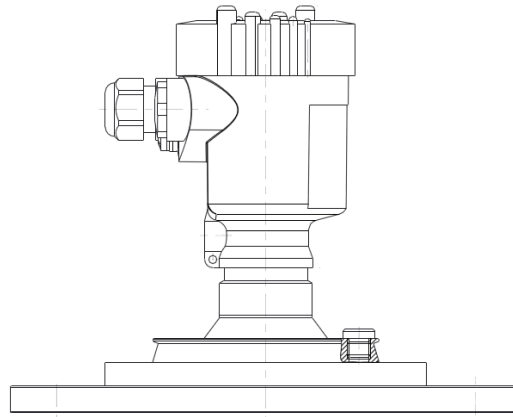
NCR-80

2. Approvals

- FX: Non EX
- FE: FM Class I
- FR: FM Class II, III
- CX: Non EX
- CR: CSA Class II, III
- CE: CSA Class I

3. Version

- B: Plastic Horn
- C: Metal Jacketed



4. Mounting

- XX: No Process Fitting
- XC: 6.7" Mounting Strap
- XD: 11.8" Mounting Strap
- FD: 3" 316L Flange
- AU: 3" PP-GF30 Flange w/ 8° Aiming
- FE: 4" 316L Flange
- AL: 4" PP-GF30 Flange w/ 8° Aiming
- AO: 8" PP-GF30 Flange w/ 8° Aiming
- SD: 4" 316L Flange w/ 10° Swiveling Holder
- SE: 6" 316L Flange w/ 10° Swiveling Holder
- SF: 8" 316L Flange w/ 10° Swiveling Holder

5. Seal

- C: No Seal to 176°F
- D: FKM and PP to 176°F
- E: EDPM and PP to 176°F
- A: FKM and PEEK to 266°F
- B: FKM and PEEK to 392°F
- F: EPDM and PEEK to 266°F (food, pharm)

6. Output

- H: 2-Wire 4-20mA/HART
- U: 4-Wire Modbus
- B: 4-Wire 4-20mA/HART 50/60Hz
- I: 4-Wire 4-20mA/HART 20-42V AC

7. Housing

- K: Plastic Single Chamber
- A: Aluminum Single Chamber
- Z: SS Single Chamber
- R: Plastic Double Chamber
- D: Aluminum Double Chamber
- W: SS Double Chamber

8. Connection

- N: 1/2" NPT Plug One Opening
- 1/2" NPT No Plugs

9. Display

- X: No Window or BinDisc
- A: Top Mount BinDisc w/ Window
- F: No BinDisc Lid w/ Window
- H: Top Mount BinDisc w/ Heat
- B: Side Mount BinDisc

10. Air Purge

- X: None
- K: With Purge Connection

Order Code	Description	List Price	Part Number
NCR-80 Base			
NCR-80	<p>NCR-80 is an 80 Ghz open air radar for continuous measurement of bulk solids under different process conditions. It is ideal for level measurement in very tall silos, large bunkers and segmented vessels. Narrow beam focus and simple setup ensure reliable measurement.</p> <p>Benefits include:</p> <ul style="list-style-type: none"> - Measuring range to 393 ft. (120 m) - Narrow 4° beam angle - Maintenance-free operation through non-contact measuring principle - High plant availability, virtually wear and maintenance-free - Reliable measurement independent of dust, vapor, or noise 	Call for Price	
Approvals			
FX	- Designed for unclassified area, non-EX environment	Call for Price	
FE	- Approvals: FM (XP) Class I, Div 1, Groups A, B, C, D, (DIP) Class II, III Div 1, Groups E, F, G	Call for Price	
FR	- Approvals: FM (DIP) Class II, III, Div 1, Groups E, F, G	Call for Price	
CX	- Designed for unclassified area, non-EX environment	Call for Price	
CR	- Approvals: CSA (DIP) Class II, III, Div 1, Groups E, F, G	Call for Price	
CE	- Approvals: CSA (XP) Class I, Div 1, Groups A, B, C, D, (DIP) Class II, III Div 1, Groups E, F, G	Call for Price	
Version			
B	- Plastic horn antenna / PP	Call for Price	
C	- Metal jacketed lens antenna with rinsing air connection / PEEK	Call for Price	
Mounting			
XX	- Mounting: Without process fitting	Call for Price	
XC	- Mounting strap, length: 6.7 inches (170mm) / 316L	Call for Price	
XD	- Mounting strap, length: 11.8 inches (300 mm) / 316L	Call for Price	
FD	- Mounting: Flange 3" 150lb FF, ASME / 316 / 316L	Call for Price	
AU	- Mounting: Adapter flange 3" 150lb FF, ASME / PP-GF30, with 8° of directional aiming	Call for Price	
FE	- Mounting: Flange 4" 150lb FF, ASME / 316 / 316L	Call for Price	
AL	- Mounting: Adapter flange 4" 150lb FF, ASME / PP-GF30, with 8° of directional aiming	Call for Price	
AO	- Mounting: Adapter flange 8" 150lb FF, ASME / PP-GF30, with 8° of directional aiming	Call for Price	
SD	-Mounting: Swiveling holder with flange 4" 150lb / 316 / 316L	Call for Price	
SE	- Mounting: Swiveling holder with flange 6" 150lb / 316 / 316L	Call for Price	
SF	- Mounting: Swiveling holder with flange 8" 150lb / 316 / 316L	Call for Price	
Seal			
C	- No Seal: PP / Process Temperature: -40°F to +176°F (80°C)	Call for Price	
D	- Seal: FKM (SHS FPM 70C3 GLT) and PP / Process Temperature: -40°F to +176°F (80°C)	Call for Price	
E	- Seal: EPDM (COG AP310) and PP / Process Temperature: -40°F to +176°F (80°C)	Call for Price	
A	- Seal: FKM (SHS FPM 70C3 GLT) and PEEK / Process Temperature: -40°F to +266°F (130°C)	Call for Price	
B	- Seal: FKM (SHS FPM 70C3 GLT) and PEEK / Process Temperature: -40°F to +392°F (200°C)	Call for Price	
F	- Seal: EPDM (COG AP302) and PEEK (suitable for foodstuffs / pharmaceuticals) / Process Temperature: -40°F to 266°F (130°C)	Call for Price	
Output			
H	- Output: Two wire 4-20mA / HART®; 12-35V DC	Call for Price	
U	- Output: Four-wire Modbus (Requires Dual Chamber Housing); 8-30V DC	Call for Price	
B	- Output: Four-wire 4-20mA / HART®; 90-253V AC; 50/60Hz (Requires Dual Chamber Housing)	Call for Price	
I	- Output: Four-wire 4-20mA / HART®; 9.6-48V DC; 20-42V AC (Requires Dual Chamber Housing)	Call for Price	

Order Code	Description	List Price	Part Number
Housing			
K	- Housing: Plastic single chamber / IP66/IP67	Call for Price	
A	- Housing: Aluminium single chamber / IP66/IP68 (0.2bar)	Call for Price	
Z	- Housing: Stainless steel single chamber (electropolished) / IP66/IP68 (0.2 bar) / IP69K	Call for Price	
R	- Housing: Plastic double chamber / IP66/IP67	Call for Price	
D	- Housing: Aluminium double chamber / IP66/IP67	Call for Price	
W	- Housing: Stainless steel double chamber / IP66/IP67	Call for Price	
Connection			
N	- Cable Entry: Two ½" NPT / blind plug in one opening	Call for Price	
Q	- Cable Entry: Two ½" NPT / without plug in either opening	Call for Price	
Display			
X	- Display: Without inspection window or BinDisc	Call for Price	
A	- Display: Top mounted BinDisc with inspection window	Call for Price	
F	- Display: Without BinDisc lid with inspection window	Call for Price	
H	- Display: Top mounted BinDisc, with heating	Call for Price	
B	- Display: Side mounted BinDisc	Call for Price	
Air Purge			
X	- Additional Equipment: Without additional equipment	Call for Price	
K	- Additional Equipment: Purging air connection	Call for Price	

NCR-80 Mounting Accessories			
	0° mounting plate with 4" ANSI flange finished in a gray powder-coat, includes gasket and bolts.	Call for Price	730-0747
	10° mounting plate with 4" ANSI flange finished in a gray powder-coat, includes gasket and bolts.	Call for Price	730-0756
	30° mounting plate with 4" ANSI flange finished in a gray powder-coat, includes gasket and bolts.	Call for Price	730-0748
NCR-80 Communications Accessories			
	BinDisc stand alone interface enables push-button sensor setup and configuration. The BinDisc can be integrated into the sensor housing and is installed and visible under the housing cover for easy viewing. BinDisc simplifies setup and provides continuous, at-a-glance, operational status of the sensor. This handy interface aids in on-site system diagnosis.	Call for Price	771-0053
	BinConnect is an interface adapter for connecting communication-capable BinMaster instruments to the USB interface of a PC. In conjunction with PACTware, BinConnect can also be used as a universal HART modem for other manufacturers' sensors. - Simple use on BinDisc series instruments - Versatile connection possibilities to different sensors through various attached connection cables and adapters - Simple voltage supply through the USB interface	Call for Price	771-0052