

GUIDED WAVE RADAR

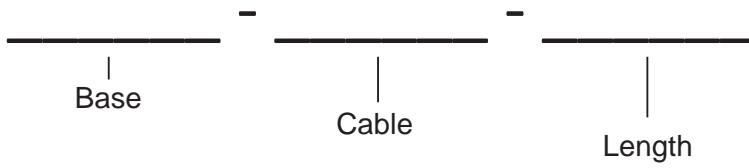


Prices Subject To Change Without Notice
Not responsible for errors or omissions
FOB Lincoln, Nebraska USA

7201 N. 98th St., Lincoln, NE 68507 • P.O. Box 29709, Lincoln, NE 68529
Phone: 800-278-4241 or 402-434-9102 • Fax: 402-434-9133
www.binmaster.com • info@binmaster.com

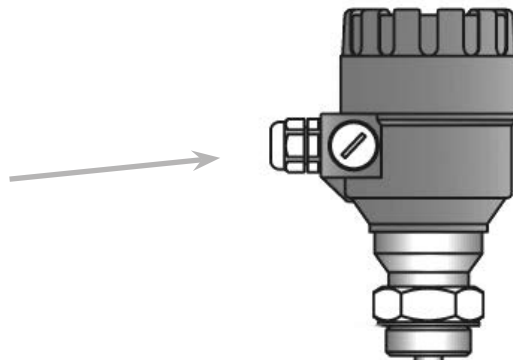
Configure GWR-1000

use x if none



1. Base

- GWR-1000
- GWR-1000-HT
- GWR-1000-L
- GWR-1000-LHT



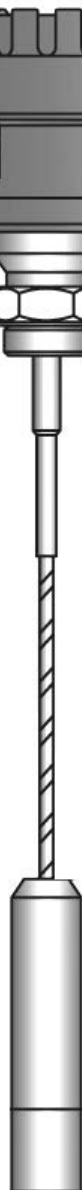
2. Cable

- CP8: 8 mm cable
- CP4: 4 mm cable



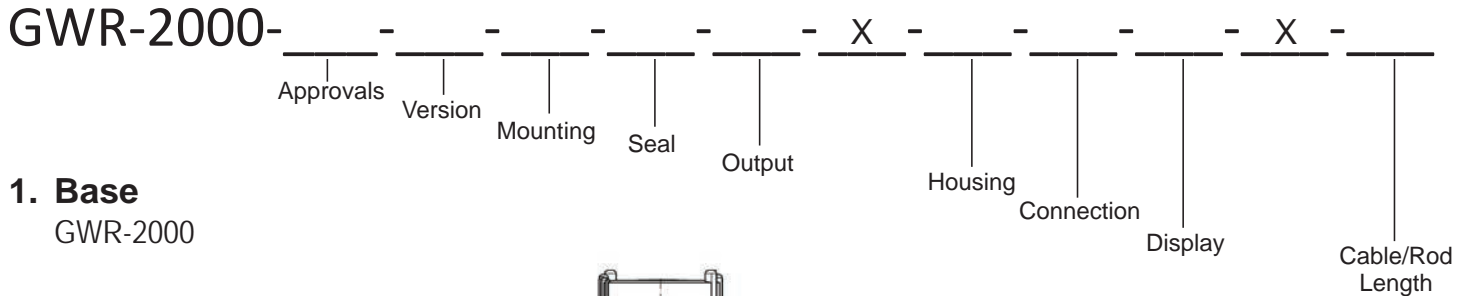
7. Length

Length in feet



Order Code	Description	List Price	Part Number
GWR-1000 Base			
GWR-1000	GWR-1000 - 2-Wire guided microwave level transmitter, 18-35 VDC, 4 to 20 mA output with HART, process temperature from -22°F to 195°F (-30°C to 90°C). Aluminum housing with powder coated finish, 1-1/2" stainless steel process connection for use with the single flexible Ø 8 mm 316 stainless steel cable. General purpose IP65. (For local LCD display you must order SAP-300.)	Call for Price	730-5150
GWR-1000 HT	GWR-1000-HT - High temperature 2-wire guided microwave level transmitter, 18-35 VDC, 4 to 20 mA output with HART, process temperature from -22°F to 392°F (-30°C to 200°C). Aluminum housing with powder coated finish, 1-1/2" stainless steel process connection, for use with the single flexible Ø 8 mm 316 stainless steel cable. General purpose IP65. (For local LCD display you must order SAP-300.)	Call for Price	730-5151
GWR-1000 L	GWR-1000-L - 2-Wire guided microwave level transmitter, 18-35 VDC, 4 to 20 mA output with HART, process temperature from -22°F to 195°F (-30°C to 90°C). Aluminum housing with powder coated finish, 1" stainless steel process connection for use with the single flexible Ø 4 mm 316 stainless steel cable. General purpose IP65. (For local LCD Display you must order SAP-300.)	Call for Price	730-5152
GWR-1000 LHT	GWR-1000-LHT - High temperature 2-wire guided microwave level transmitter, 18-35 VDC, 4 to 20 mA output with HART, process temperature from -22°F to 392°F (-30°C to 200°C). Aluminum housing with powder coated finish, 1" stainless steel process connection for use with the single flexible Ø 4 mm 316 stainless steel cable. General purpose IP65. (For local LCD Display you must order SAP-300.)	Call for Price	730-5153
Cable			
CP8-(length)	CP8 - Single flexible Ø 8 mm 316 stainless steel cable, with counter weight. Maximum length 78 ft. Used on Microwave Level Transmitters with 1-1/2" NPT fittings, for measurement of liquids and heavy-weight bulk solids. Sold per foot.	Call for Price	530-0720
CP4-(length)	CP4 - Single flexible Ø 4 mm 316 stainless steel cable, with counter weight. Maximum length 78 ft. Used on Microwave Level Transmitters with 1" NPT fittings, for measurement of liquids and light-weight bulk solids. Sold per foot.	Call for Price	530-0721
CP8-N-(length)	CP8-N - Single flexible Ø 8 mm 316 stainless steel cable covered in FDA grade Nylon, with counter weight. Maximum length 78 ft. Used on Microwave Level Transmitters with 1-1/2" NPT fittings, for measurement of liquids and heavy-weight bulk solids. Sold per foot.	Call for Price	530-0842
Mounting Plate			
GRMP-6	GRMP-6 1-1/2" NPT Powder coated carbon steel mounting plate with half coupling	Call for Price	730-0298
GRMP-8	GRMP-8 1-1/2" NPT Stainless steel mounting plate with half coupling	Call for Price	730-0469
GRMP-10	GRMP-10 1" NPT Powder coated carbon steel mounting plate with half coupling	Call for Price	730-0488
GRMP-17	GRMP-17 10°, 1-1/2" NPT mounting plate	Call for Price	730-0632
GRMP-18	GRMP-18 30°, 1-1/2" NPT mounting plate	Call for Price	730-0633
Local Display Unit			
SAP-300	SAP-300 - Local plug-in LCD display unit. With the help of the SAP-300 plug-in display, simplified programming can be accomplished to cover most applications. The basic parameters of measurement and output can be set using the text-based menu system of the SAP-300. The large LCD dot-matrix display displays the measured values in numerical and bar graph form.	Call for Price	530-0711
Accessories			
USB-HRT	USB to HART modem	Call for Price	344-0016

Configure GWR-2000



1. Base

GWR-2000

2. Approvals

- FX: Non EX
- FE: FM Class I
- FR: FM Class II, III
- CX: Non EX
- CR: CSA Class II, III
- CE: CSA Class I

3. Version

- F: Cable
- H: Rod

4. Mounting

- TH: 1-1/2" NPT 316L
- TK: 2" NPT 316L
- AB : 2" Flange 316L
- AD : 3" Flange 316L

5. Seal

- A: FKM to 176°F
- F: FKM to 302°F
- K: FFKM to 392°F
- B: EPDM to 176°F
- H: EPDM to 302°F

6. Output

- H: 2-Wire 4-20mA/HART
- U: 4-Wire Modbus
- B: 4-Wire 4-20mA/HART 50/60Hz
- I: 4-Wire 4-20mA/HART 20-42V AC



use x if none

7. Housing

- K: Plastic Single Chamber
- H: Aluminum Spec. Color Single Chamber
- V: Aluminum Spec. Color Double Chamber
- R: SS Single Chamber
- S: SS Double Chamber
- W: Plastic Double Chamber

8. Connection

- N: Two 1/2" NPT Plug One Opening
- Q: Two 1/2" NPT No Plugs

9. Display

- X: No Window or BinDisc
- A: Top Mount BinDisc w/ Window
- F: No BinDisc Lid w/ Window
- H: Top Mount BinDisc w/ Heat
- B: Side Mount BinDisc

10. Cable/Rod

- C: Single Flexible 8 mm SS (max. 100 ft.)
- R: Rod 16 mm 316L (12-240 in)

Order Code	Description	List Price	Part Number
GWR-2000 Base			
GWR-2000	The GWR-2000 guided wave radar measures light and heavy-weight bulk solids and is virtually maintenance free. Even in applications with strong dust generation, condensation or buildup, the sensor delivers precise and reliable measured values. Features: - Guided adjustment enables simple, time-saving, and reliable setup - Virtually all bulk solids can be measured with the automatic probe end tracking - Process temperature: -40°F to +392°F (-40°C to 200°C) - Process pressure: -14.5 to 580 psi (-1 to +40 bar) (-100 ... +4000 kPa) - Accuracy: ±0.07 inch ±2 mm	Call for Price	
Approvals			
FX	- Designed for unclassified area, non-EX environment USA	Call for Price	
FE	- Approvals: FM (XP) Class I, Div 1, Groups A, B, C, D, (DIP) Class II, III Div 1, Groups E, F, G	Call for Price	
FR	- Approvals: FM (DIP) Class II, III, Div 1, Groups E, F, G	Call for Price	
CX	- Designed for unclassified area, non-EX environment	Call for Price	
CR	- Approvals: CSA (DIP) Class II, III, Div 1, Groups E, F, G	Call for Price	
CE	- Approvals: CSA (XP) Class I, Div 1, Groups A, B, C, D, (DIP) Class II, III Div 1, Groups E, F, G	Call for Price	
Version			
F	- Sensor Connection: exchangeable cable (ø6mm)	Call for Price	
H	- Sensor Connection: exchangeable rod (ø16mm)	Call for Price	
Mounting			
TH	- Mounting: Thread 1½" NPT PN40, ASME B1.20.1 / 316L	Call for Price	
TK	- Mounting: Thread 2" NPT PN40, ASME B1.20.1 / 316L	Call for Price	
AB	- Mounting: Flange 2" 150lb RF, ASME B16.5 / 316/316L	Call for Price	
AD	- Mounting: Flange 3" 150lb RF, ASME B16.5 / 316/316L	Call for Price	
Seal			
A	- Seal: FKM (SHS FPM 70C3 GLT) / -40°F to +176°F (80°C)	Call for Price	
F	- Seal: FKM (SHS FPM 70C3 GLT) / -40°F to +302°F (150°C)	Call for Price	
K	- Seal: FFKM (Kalrez 6375) / -4°F (20°C) to +392°F (200°C)	Call for Price	
B	- Seal: EPDM (A+P 75.5 / KW75F) / -40°F to +176°F (80°C)	Call for Price	
H	- Seal: EPDM (A+P 75.5 / KW75F) / -40°F to +302°F (150°C)	Call for Price	
Output			
H	- Output: Two wire 4-20 mA / HART®; 12-35V DC	Call for Price	
U	- Output: Four-wire Modbus (Requires Dual Chamber Housing); 8-30V DC	Call for Price	
B	- Output: Four-wire 4-20 mA / HART®; 90-253V AC; 50 / 60Hz (Requires Dual Chamber Housing)	Call for Price	
I	- Output: Four-wire 4-20 mA / HART®; 9.6-48V DC; 20-42V AC (Requires Dual Chamber Housing)	Call for Price	
Housing			
K	- Housing: Plastic single chamber / IP66 / IP67	Call for Price	
H	- Housing: Special color aluminum single chamber / IP66 / IP68 (0.2 bar)	Call for Price	
V	- Housing: Stainless Steel single chamber (precision casting) / IP66 / IP68 (0.2 bar)	Call for Price	
R	- Housing: Plastic double chamber / IP66 / IP67	Call for Price	
S	- Housing: Special color Aluminium 2-chamber/ IP66 / IP68 (0.2bar)	Call for Price	
W	- Housing: Stainless steel double chamber / IP66 / IP68 (0.2bar)	Call for Price	
Connection			
N	- Cable Entry: Two ½" NPT / blind plug in one opening	Call for Price	
Q	- Cable Entry: Two ½" NPT / without plug in either opening	Call for Price	
Display			
X	- Display: Without inspection window or BinDisc	Call for Price	
A	- Display: Top mounted BinDisc with inspection window	Call for Price	
F	- Display: Without BinDisc lid with inspection window	Call for Price	
H	- Display: Top mounted BinDisc, with heating	Call for Price	
B	- Display: Side mounted BinDisc	Call for Price	

Order Code	Description	List Price	Part Number
Cable / Rod			
C	Single flexible Ø 8 mm 316 stainless steel cable, with counter weight. Maximum length 100 ft. Used on Microwave Level Transmitters with 1-1/2" NPT fittings, for measurement of liquids	Call for Price	
CP8-N-(length)	CP8-N - Single flexible Ø 8 mm 316 stainless steel cable covered in FDA grade Nylon, with counter weight. Maximum length 78 ft. Used on Microwave Level Transmitters with 1-1/2" NPT	Call for Price	530-0842
R	- Sensing Element: Rod ø16 mm/316L (12-240 in.) per inch	Call for Price	
GWR-2000 Accessories			
	USB to HART modem	Call for Price	344-0016
	BinDisc stand alone interface enables push-button sensor setup and configuration. The BinDisc can be integrated into the sensor housing and is installed and visible under the housing cover for easy viewing. BinDisc simplifies setup and provides continuous, at-a-glance, operational status of the sensor. This handy interface aids in on-site system diagnosis.	Call for Price	771-0053
	BinConnect is an interface adapter for connecting communication-capable BinMaster instruments to the USB interface of a PC. In conjunction with PACTware, BinConnect can also be used as a universal HART modem for other manufacturers' sensors. - Simple use on BinDisc series instruments - Versatile connection possibilities to different sensors through various attached connection cables and adapters - Simple voltage supply through the USB interface	Call for Price	771-0052
Mounting Plates			
GRMP-6	GRMP-6 1-1/2" NPT Powder coated carbon steel mounting plate with half coupling	Call for Price	730-0298
GRMP-8	GRMP-8 1-1/2" NPT Stainless steel mounting plate with half coupling	Call for Price	730-0469
GRMP-10	GRMP-10 1" NPT Powder coated carbon steel mounting plate with half coupling	Call for Price	730-0488
GRMP-17	GRMP-17 10°, 1-1/2" NPT mounting plate	Call for Price	730-0632
GRMP-18	GRMP-18 30°, 1-1/2" NPT mounting plate	Call for Price	730-0633