


PT-500 Modbus Series User Manual

Table of Contents

| | |
|--|------------|
| Introduction | iii |
| Warranty and Warranty Restrictions | iv |
| Chapter 1: Specifications and Options..... | 1 |
| Dimensions | 1 |
| Specifications | 2 |
| Model Number Configurator..... | 3 |
| Electrical Pinout Table, Power Supply Table, and System Wiring Diagrams..... | 4 |
| Chapter 2: Installation and Removal Procedures and Notes..... | 5 |
| Tools Needed..... | 5 |
| Mounting Instructions | 5 |
| Electrical Installation | 5 |
| Removal Instructions | 6 |
| Chapter 3: Programming | 6 |
| Modbus Programming | 6 |
| Modbus Programming with RST-6001 and BinMaster Modbus Software | 6 |
| PT-500 Modbus Register Lists | 7-9 |
| PT-500 Modbus Sensor Parameters - L5 pressure series..... | 10 |
| PT-500 Modbus Sensor Parameters - L31 level series | 10 |
| PT-500 Modbus Application Parameters - L31 level series | 11-15 |
| Chapter 4: Maintenance | 16 |
| General Care | 16 |
| Vent Tube Drying..... | 16-17 |
| Repair and Returns..... | 17 |

 **NOTE:** Wiring information in this User Manual is specific to the Modbus Series of the PT-500. If you have a 0-5V, mV/V, or 4-20 mA Series sensor, please consult the factory at 402-434-9102, or our website at www.binmaster.com/literature, for the appropriate manual for your sensor.

Introduction

Thank you for purchasing a PT-500 modbus series submersible pressure transmitter from BinMaster. We appreciate your business! Please take a few minutes to familiarize yourself with your PT-500 and this manual.

PT-500 submersible pressure transmitters offer reliability in harsh industrial conditions. The small size, integrated electronics, wide operating temperature range, and durability make the PT-500 the perfect instrument for static and dynamic pressure measurement.

Reading your label

The PT-500 comes with a label that includes the instrument's model number, part number, serial number, and a wiring pinout table. Please ensure that the part number and pinout table on your label match your order.

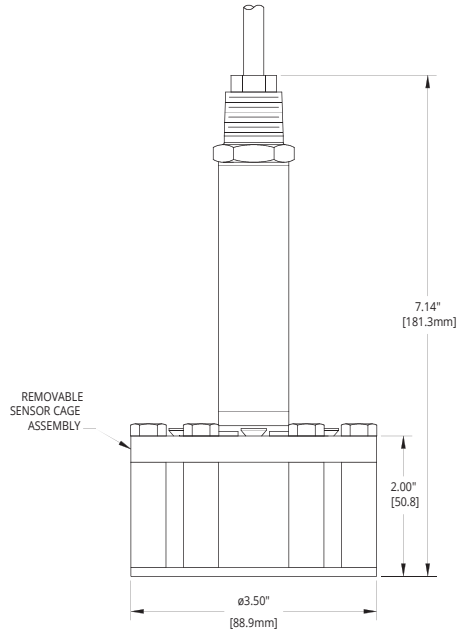
Warranty and Warranty Restrictions

BinMaster warrants this product against defects in material and workmanship for two (2) years according to the following terms;

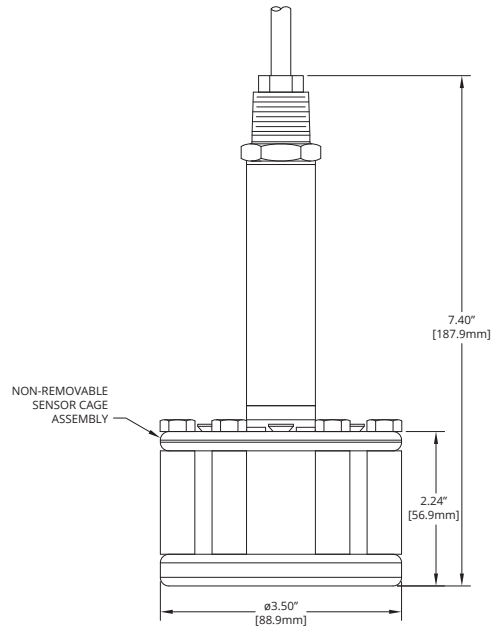
- 1.) This warranty extends to the original purchaser only and commences on the date of original purchase.
- 2.) BinMaster's sole obligation under said warranty is to repair, or at its option replace the defective parts. The buyer shall have no other remedy. All special, incidental and consequential damages are excluded. The buyer must deliver the product under warranty prepaid to the factory. BinMaster's obligation is limited to the cost of material and labor to repair or replace, and does not include transportation expenses.
- 3.) This warranty shall be voided, in our sole judgment, by alterations of equipment except by BinMaster, or tampering with, improper installation or maintenance, accident or misuse, or act of God. This warranty expressly excludes all damage to the product resulting from careless or neglectful packaging or transportation. The warranty does not extend to repairs made necessary by normal wear.
- 4.) This warranty is in lieu of all other warranties, expressed or implied including any implied warranties or merchantability or fitness for particular purpose. No employee, agent, franchise dealer or other person is authorized to give any warranties of any nature on behalf of BinMaster.
- 5) BinMaster shall in no event be responsible for any warranty work done without first obtaining BinMaster's written consent.
- 6) Except as provided herein, BinMaster shall have no liability, loss or damage caused or alleged to be caused directly or indirectly by this equipment.
- 7) This warranty gives the buyer specific legal rights, and you may also have other rights which vary from state to state.
- 8) For service, please call 402-434-9102.

Chapter 1: Specifications and Options

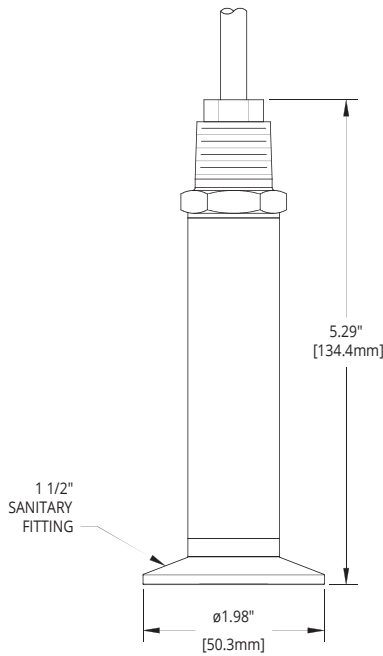
- Dimensions



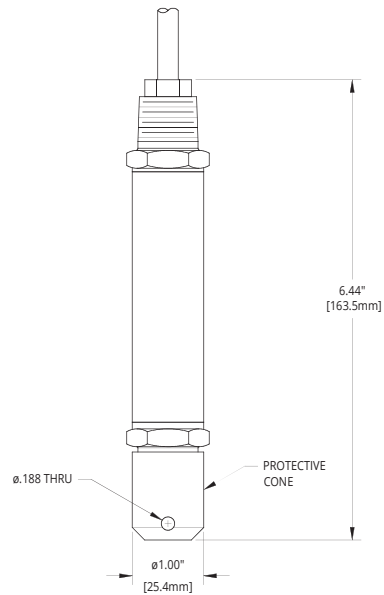
PT-500 with Reusable Cage



PT-500 with Welded Anti-sag Cage



PT-500 with Tri-clover Sanitary Fitting



PT-500 with Removable Plastic Nose Cone

• Specifications

Performance

| | |
|------------------|---------------------------|
| Pressure Ranges | 0 to 300 PSIG |
| Digital Output | Modbus RTU, 4-wire RS-485 |
| Over Pressure | 2X FSO |
| Burst Pressure | 3.0X FSO |
| 1 Year Stability | 0.75% FSO |

Accuracy

| | |
|---------------------------------------|---|
| Linearity, Hystereses & Repeatability | ±0.25% of Full Scale (BFSL) up to ±0.1% of Full Scale |
| Thermal Zero Shift @ 70 °F | ±0.045% FSO/°C (±0.025% FSO/°F) |
| Thermal Span Shift @ 70 °F | ±0.045% FSO/°C (±0.025% FSO/°F) |

Environmental

| | |
|---------------------------|--------------------------------|
| Operating Temperature | -40 to 85°C (-40 to 185°F) |
| Compensated Temperature | -17 to 54°C (0 - 130°F) |
| Maximum Submersible Depth | 462.2 ft / 140.88 m / 300 psig |

Electrical

| | |
|----------------------------|--|
| Supply Voltage (at sensor) | 5-28 VDC |
| Current Draw | 2 mA max. |
| Protection | Reverse Polarity and Surge (per IEC 61000-4-5) |
| Load Limitation | $R_{(max)} = ((V_s - 12V)/0.02A) - (0.042\Omega \text{ per ft. of cable})$ |
| Startup Time | 200 ms |

Materials of Construction

| | |
|----------------------|--------------------------|
| Wetted Materials | 316L Stainless Steel |
| Anti-s snag Cage | 316L Stainless Steel |
| Cable | Urethane, PVC, or Hytrel |
| Protective Nose Cone | Delrin |
| Seal | Viton ETP-s |

Mechanical

| | |
|------------------------|---|
| Pressure Connection | See model number configurator for complete list |
| Cable Tensile Strength | Up to 200 pounds |

Patents

US Patent No. 7,787,330

- **Electrical Pinout Table, Supply Power Table, and System Wiring Diagrams**

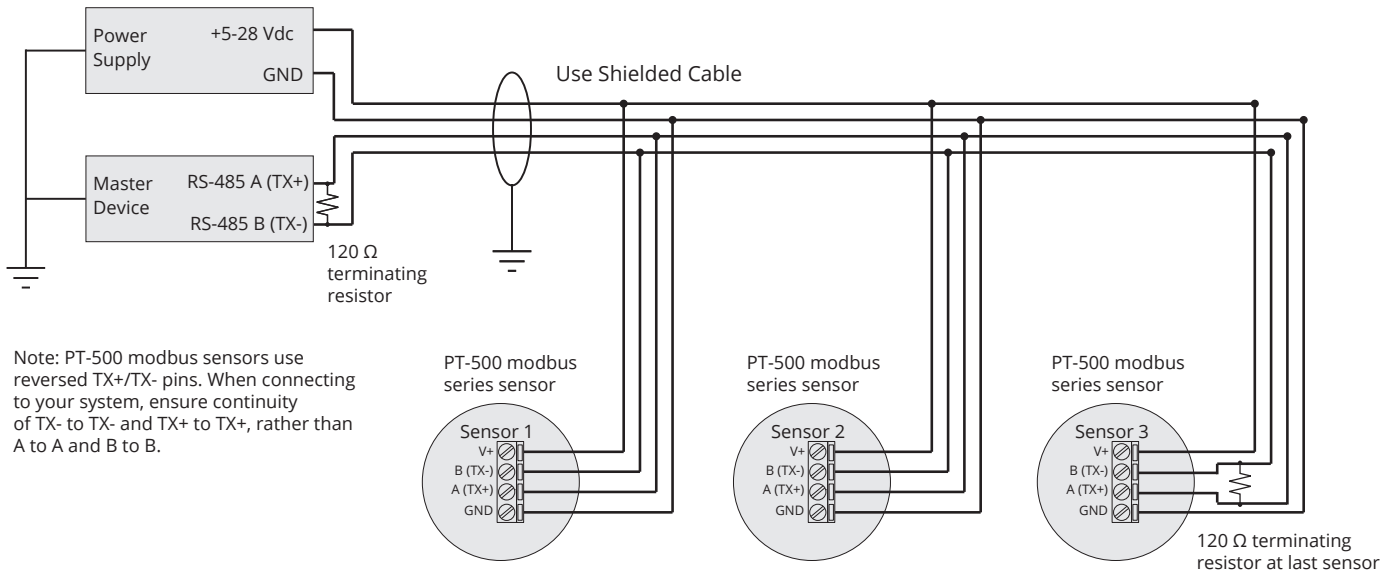
PT-500 Modbus Series Pinout Table

| | | |
|---------|----------|---------------|
| Pigtail | | Modbus |
| | Red | + Power |
| | Black | - Power |
| | Green | B (TX-) |
| | White | A (TX+) |
| Shield | Case Gnd | |

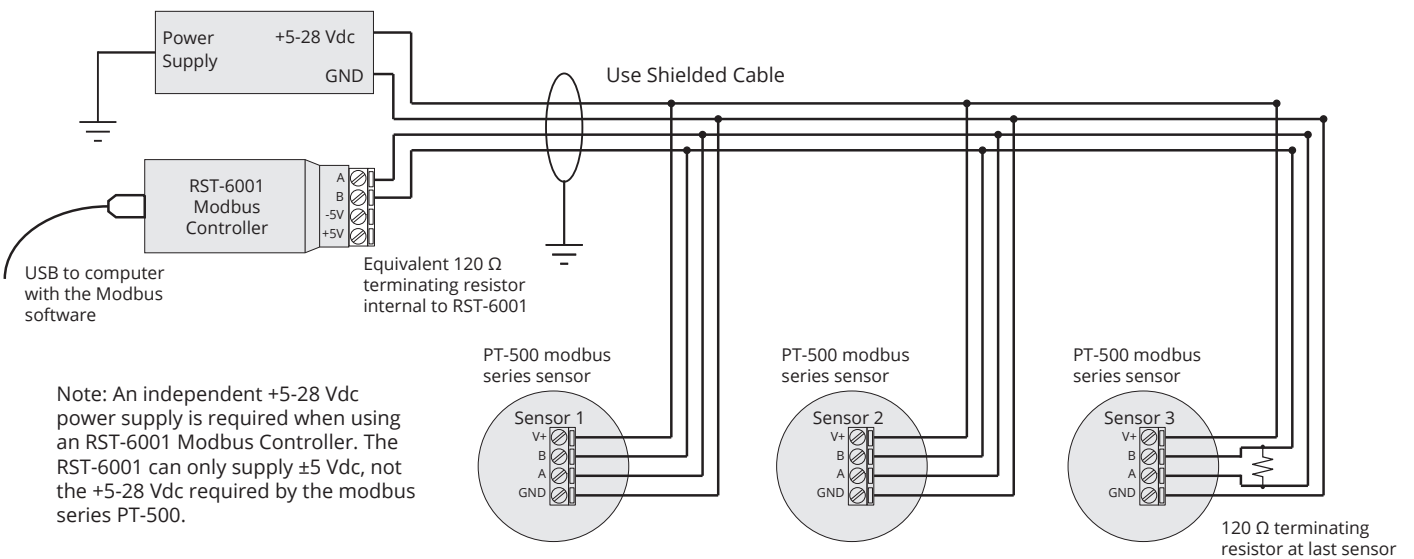
PT-500 Modbus Series Supply Power Table

| | |
|--------------|---------------|
| | Modbus |
| Power Supply | 5-28 VDC |

Modbus System Wiring



Modbus System Wiring with RST-6001



Chapter 2: Installation and Removal Procedures and Notes


- **Tools Needed**

- Wrench sized appropriately for your PT-500's process or conduit connection.
- Thread tape or sealant compound for threaded connections.

- **Mounting Instructions**


Your PT-500 can be mounted in three ways: via NPT process connection, free-hanging suspension, or conduit mounted. Mounting your pressure transducer is easy if you follow a few simple steps:

- Never over-tighten the sensor. In all cases, tighten the sensor as little as possible to create an adequate seal.
- Always use thread tape or sealant compound on tapered threads. Wrap thread tape in the opposite direction of the threads so it does not unravel as you screw the sensor into place. Unraveling can cause uneven distribution and seal failure.
- Always start screwing in your sensor by hand to avoid cross-threading. Thread failure can be a problem if you damage threads by over-tightening them or by crossing threads.
- For suspension mounting the PT-500, drill a 3/16" hole into a 1/2" NPTF to 1/2" NPTF hex coupler and secure it to the 1/2" NPTM coupler fitting of the PT-500. Attach a .060" diameter 316L SS cable of desired length to the hex coupler and secure the steel cable according to your application requirements.

 **NOTE:** If your PT-500 has a vent tube, do not seal, cover, or close the vent tube with anything other than an BinMaster-provided venting cap or desiccant drying cartridge (See Figure 4.1 and 4.2). Unapproved seals or covers will prevent proper sensor operation.

- **Electrical Installation**

- Attach the wires of your PT-500 to your control system according to the pinout table above.


 **IMPORTANT:** The PT-500 uses reversed TX+/TX- pins. When making connections between this sensor and RST modules, ensure continuity of A to A and B to B pins. When connecting the PT-500 to other systems, ensure continuity of TX+ to TX+ and TX- to TX-.

• Removal Instructions

Removing your PT-500 from service must be done with care. It's easy to create an unsafe situation, or damage your sensor, if you are not careful to follow these guidelines:

- For sensors installed via NPT process connection, make sure the pressure is completely removed from the line or vessel. Follow any and all procedures for safely isolating any media contained inside the line or vessel.
- Remove the sensor with an appropriately sized wrench (per your process connection).
- For suspended sensors, retrieve the sensor from the vessel. Follow any and all procedures for safely isolating any media contained inside the line or vessel.
- Carefully clean the sensor's fitting and diaphragm of any debris (see General Care) and inspect for damage.
- Store your sensor in a dry place, at a temperature between -40° F and 180° F.

 **DANGER:** Removing your process connected PT-500 Pressure Transmitter while there is still pressure in the line could result in injury or death.

 **IMPORTANT:** Any contact with the diaphragm can permanently damage the sensor. Use extreme caution.

Chapter 3: Programming


• Modbus Programming

PT-500 L5/L31 modbus series sensors use standard Modbus RTU protocol (RS-485). The sensors can only operate as slave devices. Sensor default transmission settings are **9600 Baud, 8 Bits, 1 Stop Bit, No Parity**, and require a minimum delay of 300 ms between transactions to return the contents of all registers. Commands returning fewer registers will require shorter delays. See PT-500 Modbus Register Lists on pages 7 - 9.

 **NOTE:** For more information about Modbus RTU, please visit www.modbus.org.

- **Modbus Programming with RST-6001 and BinMaster Modbus Software**


BinMaster RST-6001 Modbus Controller can be used in tandem with BinMaster modbus software to program and control up to 20 PT-500 L5 or PT-500 L31 sensors. Through BinMaster Modbus software, you can monitor the raw readings from the sensor, including level or pressure, temperature and battery voltage, or configure the sensor. See PT-500 Modbus Register Lists below.

 **NOTE:** For BinMaster Modbus programming instructions, or to download BinMaster Modbus software, please visit www.binmaster.com.

- **PT-500 Modbus Register Lists**

Input Registers (0x04)

| Register | Returned Data |
|-----------------|---|
| 30299 | Model Type |
| 30300 | Pressure (L5 - PSI; L31 - mmH ₂ O) |
| 30301 | N/A |
| 30302 | Temperature Reading (in °C, signed) |
| 30303-30304 | Calculated (raw) |
| 30305-30306 | N/A |
| 30307 | N/A |
| 30308 | Battery Voltage |
| 30309 | Trip 1 Status |
| 30310 | Trip 2 Status |

 **NOTE:** The Calculated Readings will be returned without a decimal place. In order to obtain the true result, the Decimal Place setting must be taken into account.

Holding Registers (0x03) - PT-500 L5 pressure series

| <u>Register</u> | <u>Function</u> | <u>Value Range</u> |
|-----------------|----------------------------|---|
| 40400 | Device Address | 1 to 247 |
| 40401 | Units | 0-16 |
| 40402 | Application Type | 0 or 8 |
| 40403 | N/A | |
| 40404 | Decimal (Calculated) | 0 - 3 |
| 40405 | Max Pressure | *0 - 32,000 PSI |
| 40406 | Full Pressure | 0 - 32,000 PSI |
| 40407 | Zero Offset | -15,000 - 30,000 PSI |
| 40408 | Pressure Decimal | 0 - 3 |
| 40409 | A/D Gain | *1, 2, 4, 8, 16, 32, 64, 128 |
| 40410 | N/A | |
| 40411 | Parameter Default | 0 = No; 1 = Restore Defaults |
| 40412 | Averaging | 0 - 10 |
| 40413 | Calibration Value | *-32,767 - 32,767 |
| 40414 | Calibration Flag | *0 - 300 |
| 40415 | Sample Rate | 10 to 1000 milliseconds |
| 40416 | Scale | *0 - 65,535 |
| 40417 | Offset | -20,000 - 20,000 |
| 40418 | Voltage Offset | -20 - 20 |
| 40419 | Baud Rate | 0 - 3 (2400, 9600, 19200) |
| 40420 | Parity | 0 - 2 (none, even, odd) |
| 40421 | Stop Bit | 0 - 1 (0 = 1 stop bit; 1 = 2 stop bits) |
| 40422-40423 | Pressure X ³ | *N/A |
| 40424-40425 | Pressure X ² | *N/A |
| 40426-40427 | Pressure X ¹ | *N/A |
| 40428-40429 | Pressure X ⁰ | *N/A |
| 40430 | Trip 1 Pressure | -15,000 - 30,000 PSI |
| 40431 | Trip 1 Window | 0 - 30,00 PSI |
| 40432 | Trip 1 Type | 0 - 29 |
| 40433 | Trip 2 Pressure | -15,000 - 30,000 PSI |
| 40434 | Trip 2 Window | 0 - 30,00 PSI |
| 40435 | Trip 2 Type | 0 - 29 |
| 40436-40437 | Multiplier | 0.0010 - 99.9999 (float) |
| 40438-40439 | Description | A - Z, 0 - 9, /.-,+* (16 char) |
| 40446 | Temperature Offset | -20 - 20 |
| 40447-40448 | Temperature X ³ | *N/A |
| 40449-40450 | Temperature X ² | *N/A |
| 40451-40452 | Temperature X ¹ | *N/A |
| 40453-40454 | Temperature X ⁰ | *N/A |

*Setting is factory calibrated. Do not adjust.

Holding Registers (0x03) - PT-500 L31 level series

| <u>Register</u> | <u>Function</u> | <u>Value Range</u> |
|-----------------|----------------------------|---|
| 40400 | Device Address | 1 to 247 |
| 40401 | Units | 1 = Feet, 2 = Inches, 3 = Meters |
| 40402 | Application Type | 0 - 11 |
| 40403 | Volume Units | 1 - 7 |
| 40404 | Decimal (Calculated) | 0 - 3 |
| 40405 | Max Level | *0 - 65,535 mm |
| 40406 | Full Level | 0 - 65,535 mm |
| 40407 | Zero Offset | 0 - 610 mm |
| 40408 | N/A | |
| 40409 | A/D Gain | *1, 2, 4, 8, 16, 32, 64, 128 |
| 40410 | Specific Gravity | 1 - 2,000 |
| 40411 | Parameter Default | 0 = No; 1 = Restore Defaults |
| 40412 | Averaging | 0 - 10 |
| 40413 | Calibration Value | *0 - 65,535 |
| 40414 | Calibration Flag | *0 - 300 |
| 40415 | Sample Rate | 10 to 1000 milliseconds |
| 40416 | Scale | *0 - 65,535 |
| 40417 | Offset | -20,000 - 20,000 |
| 40418 | Voltage Offset | -20 - 20 |
| 40419 | Baud Rate | 0 - 3 (2400, 9600, 19200) |
| 40420 | Parity | 0 - 2 (none, even, odd) |
| 40421 | Stop Bit | 0 - 1 (0 = 1 stop bit; 1 = 2 stop bits) |
| 40422-40423 | Pressure X ³ | *N/A |
| 40424-40425 | Pressure X ² | *N/A |
| 40426-40427 | Pressure X ¹ | *N/A |
| 40428-40429 | Pressure X ⁰ | *N/A |
| 40430 | Trip 1 Level | 0 - 65,535 (mm) |
| 40431 | Trip 1 Window | 0 - 65,535 (mm) |
| 40432 | Trip 1 Type | 0 - 29 |
| 40433 | Trip 2 Level | 0 - 65,535 (mm) |
| 40434 | Trip 2 Window | 0 - 65,535 (mm) |
| 40435 | Trip 2 Type | 0 - 29 |
| 40436-40437 | Parameter 1 | 0 - 1,000,000 (mm) |
| 40438-40439 | Parameter 2 | 0 - 1,000,000 (mm) |
| 40440-40441 | Parameter 3 | 0 - 1,000,000 (mm) |
| 40442-40443 | Parameter 4 | 0 - 1,000,000 (mm) |
| 40444-40445 | Parameter 5 | 0 - 1,000,000 (mm) |
| 40446 | Temperature Offset | -20 - 20 |
| 40447-40448 | Temperature X ³ | *N/A |
| 40449-40450 | Temperature X ² | *N/A |
| 40451-40452 | Temperature X ¹ | *N/A |
| 40453-40454 | Temperature X ⁰ | *N/A |

*Setting is factory calibrated. Do not adjust.

• PT-500 Modbus Sensor Parameters - L5 pressure series

40401 - Units

Determines the units of measure for the calculated reading.

| | | | |
|----------|-------------------------------------|-------------------------|-----------|
| 0 = PSI | 5 = mmH ₂ O [†] | 10 = mmHG [‡] | 14 = inSW |
| 1 = BAR | 6 = cmH ₂ O [†] | 11 = cmHG [‡] | 15 = inSW |
| 2 = mBAR | 7 = mH ₂ O [†] | 12 = inHG [‡] | 16 = mSW |
| 3 = kPa | 8 = inH ₂ O [†] | 13 = kg/cm ² | |
| 4 = MPa | 9 = ftH ₂ O [†] | | |

[†] All H₂O pressure measurements @ 20° C.

[‡] All HG pressure measurements @ 0° C.

40402 - Application Type

Determines the units of measure for the calculated reading.

0 = Standard (units selected in 40401 are displayed)

8 = Custom (units selected in 40401 and multiplier in 40436-40437 are used to compute desired units; description in 40438-40439 is label for measurement)

• PT-500 Modbus Sensor Parameters - L31 level series

40401 - Units

Determines the units of measure for the calculated reading when Application Type is set to 0, 1, or 7.

| | | |
|----------|------------|------------|
| 1 = Feet | 2 = Inches | 3 = Meters |
|----------|------------|------------|

40402 - Application Type

Determines the type of calculated reading performed by the sensor.

0 = Distance

1 = Level

2 = Standing Cylindrical Tank with or without Hemispherical Bottom

3 = Standing Cylindrical Tank with or without Conical Bottom

4 = Standing Rectangular Tank with or without Chute Bottom

5 = Horizontal Cylindrical Tank with or without Spherical Ends

6 = Spherical Tank

7 = Pounds (Linear Scaling)

8 = N/A

9 = Vertical Oval Tank

10 = Horizontal Oval Tank

11 = Strapping Chart

40403 - Volume Units

Determines the units of measure for the calculated reading when Application Type is set to 2 - 6 or 9 -11.

| | |
|-------------------------------|-------------------------|
| 1 = Feet ³ | 5 = Liters |
| 2 = Million Feet ³ | 6 = Inches ³ |
| 3 = Gallons | 7 = Barrels |
| 4 = Meters ³ | |

• PT-500 Modbus Application Parameters - L31 level series

Application 0 - Distance

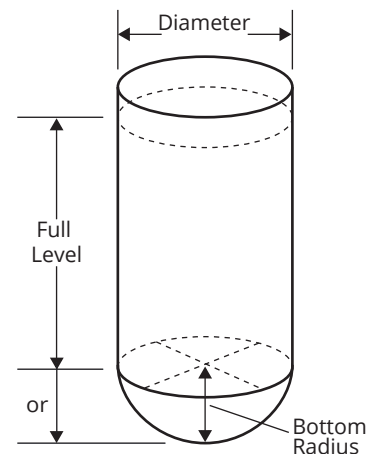
| <u>Register</u> | <u>Function</u> | <u>Value Range</u> |
|-----------------|----------------------|----------------------------------|
| 40400 | Device Address | 1 to 247 |
| 40401 | Units | 1 = Feet, 2 = Inches, 3 = Meters |
| 40402 | Application Type | 0 |
| 40403 | Volume Units | -- |
| 40404 | Decimal (Calculated) | 0 - 3 |

Application 1 - Level

| <u>Register</u> | <u>Function</u> | <u>Value Range</u> |
|-----------------|----------------------|----------------------------------|
| 40400 | Device Address | 1 to 247 |
| 40401 | Units | 1 = Feet, 2 = Inches, 3 = Meters |
| 40402 | Application Type | 1 |
| 40403 | Volume Units | -- |
| 40404 | Decimal (Calculated) | 0 - 3 |

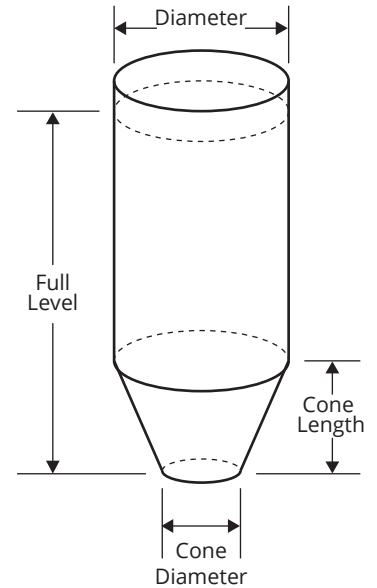
Application 2 - Volume of Standing Cylindrical Tank ± Hemispherical Bottom

| <u>Register</u> | <u>Function</u> | <u>Value Range</u> |
|-----------------|-----------------------------|--------------------|
| 40400 | Device Address | 1 to 247 |
| 40401 | Units | -- |
| 40402 | Application Type | 2 |
| 40403 | Volume Units | 1 - 7 |
| 40404 | Decimal (Calculated) | 0 - 3 |
| 40405 | Max Level | (factory set) |
| 40406 | Full Level | 0 - 65,535 mm |
| 40436-40437 | Tank Diameter | 0 - 1,000,000 (mm) |
| 40438-40439 | Radius of Bottom Hemisphere | 0 - 1,000,000 (mm) |



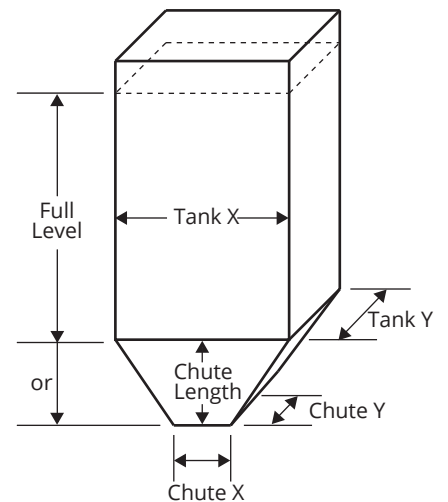
Application 3 - Volume of Standing Cylindrical Tank ± Conical Bottom

| Register | Function | Value Range |
|-----------------|-----------------------------------|--------------------|
| 40400 | Device Address | 1 to 247 |
| 40401 | Units | -- |
| 40402 | Application Type | 3 |
| 40403 | Volume Units | 1 - 7 |
| 40404 | Decimal (Calculated) | 0 - 3 |
| 40405 | Max Level | (factory set) |
| 40406 | Full Level | 0 - 65,535 mm |
| 40436-40437 | Tank Diameter | 0 - 1,000,000 (mm) |
| 40438-40439 | Cone Diameter (at bottom of cone) | 0 - 1,000,000 (mm) |
| 40440-40441 | Length (height) of Cone | 0 - 1,000,000 (mm) |



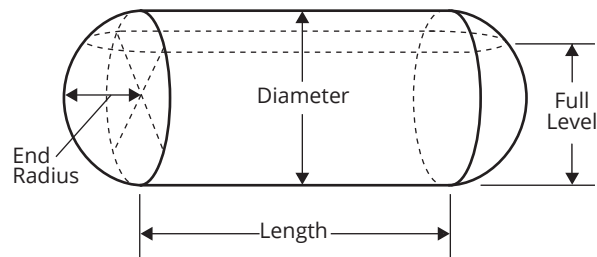
Application 4 - Volume of Standing Rectangular Tank ± Chute Bottom

| Register | Function | Value Range |
|-----------------|--------------------------|--------------------|
| 40400 | Device Address | 1 to 247 |
| 40401 | Units | -- |
| 40402 | Application Type | 4 |
| 40403 | Volume Units | 1 - 7 |
| 40404 | Decimal (Calculated) | 0 - 3 |
| 40405 | Max Level | (factory set) |
| 40406 | Full Level | 0 - 65,535 mm |
| 40436-40437 | Tank X Dimension | 0 - 1,000,000 (mm) |
| 40438-40439 | Tank Y Dimension | 0 - 1,000,000 (mm) |
| 40440-40441 | Chute X Dimension | 0 - 1,000,000 (mm) |
| 40442-40443 | Chute Y Dimension | 0 - 1,000,000 (mm) |
| 40444-40445 | Length (height) of Chute | 0 - 1,000,000 (mm) |



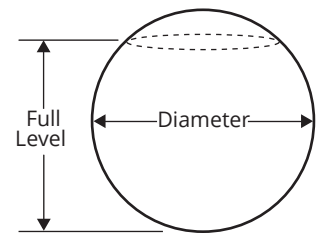
Application 5 - Volume of Horizontal Cylindrical Tank ± Hemispherical Ends

| Register | Function | Value Range |
|-----------------|---------------------------|--------------------|
| 40400 | Device Address | 1 to 247 |
| 40401 | Units | -- |
| 40402 | Application Type | 5 |
| 40403 | Volume Units | 1 - 7 |
| 40404 | Decimal (Calculated) | 0 - 3 |
| 40405 | Max Level | (factory set) |
| 40406 | Full Level | 0 - 65,535 mm |
| 40436-40437 | Tank Length | 0 - 1,000,000 (mm) |
| 40438-40439 | Tank Diameter | 0 - 1,000,000 (mm) |
| 40440-40441 | Radius of End Hemispheres | 0 - 1,000,000 (mm) |



Application 6 - Volume of Spherical Tank

| Register | Function | Value Range |
|-----------------|----------------------|--------------------|
| 40400 | Device Address | 1 to 247 |
| 40401 | Units | -- |
| 40402 | Application Type | 6 |
| 40403 | Volume Units | 1 - 7 |
| 40404 | Decimal (Calculated) | 0 - 3 |
| 40405 | Max Level | (factory set) |
| 40406 | Full Level | 0 - 65,535 mm |
| 40436-40437 | Tank Diameter | 0 - 1,000,000 (mm) |

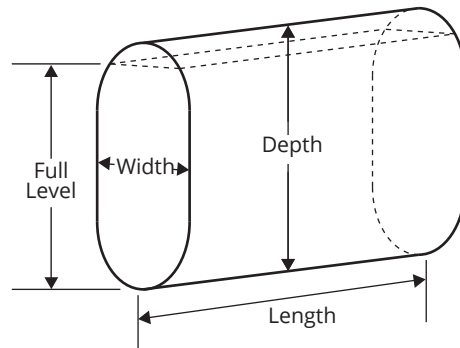


Application 7 - Pounds (Linear Scaling)

| Register | Function | Value Range |
|-----------------|----------------------------|----------------------------------|
| 40400 | Device Address | 1 to 247 |
| 40401 | Units | 1 = Feet, 2 = Inches, 3 = Meters |
| 40402 | Application Type | 7 |
| 40403 | Volume Units | -- |
| 40404 | Decimal (Calculated) | 0 - 3 |
| 40405 | Max Level | (factory set) |
| 40406 | Full Level | 0 - 65,535 mm |
| 40436-40437 | Multiplier (linear scalar) | 0 - 1,000,000 (1000 = 1.000) |

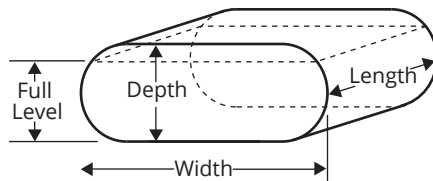
Application 9 - Volume of Vertical Oval Tank

| Register | Function | Value Range |
|-----------------|----------------------|--------------------|
| 40400 | Device Address | 1 to 247 |
| 40401 | Units | -- |
| 40402 | Application Type | 9 |
| 40403 | Volume Units | 1 - 7 |
| 40404 | Decimal (Calculated) | 0 - 3 |
| 40405 | Max Level | (factory set) |
| 40406 | Full Level | 0 - 65,535 mm |
| 40436-40437 | Tank Length | 0 - 1,000,000 (mm) |
| 40438-40439 | Tank Depth | 0 - 1,000,000 (mm) |
| 40440-40441 | Tank Width | 0 - 1,000,000 (mm) |



Application 10 - Volume of Horizontal Oval Tank

| <u>Register</u> | <u>Function</u> | <u>Value Range</u> |
|-----------------|----------------------|--------------------|
| 40400 | Device Address | 1 to 247 |
| 40401 | Units | -- |
| 40402 | Application Type | 10 |
| 40403 | Volume Units | 1 - 7 |
| 40404 | Decimal (Calculated) | 0 - 3 |
| 40405 | Max Level | (factory set) |
| 40406 | Full Level | 0 - 65,535 mm |
| 40436-40437 | Tank Length | 0 - 1,000,000 (mm) |
| 40438-40439 | Tank Depth | 0 - 1,000,000 (mm) |
| 40440-40441 | Tank Width | 0 - 1,000,000 (mm) |



Application 11 - Strapping Chart (Polynomial Values)

| <u>Register</u> | <u>Function</u> | <u>Value Range</u> |
|-----------------|----------------------------|----------------------------------|
| 40400 | Device Address | 1 to 247 |
| 40401 | Units | 1 = Feet, 2 = Inches, 3 = Meters |
| 40402 | Application Type | 11 |
| 40403 | Volume Units | 1 - 7 |
| 40404 | Decimal (Calculated) | 0 - 3 |
| 40405 | Max Level | (factory set) |
| 40406 | Full Level | 0 - 65,535 mm |
| 40436-40437 | X ³ Coefficient | 0 - 1,000,000 |
| 40438-40439 | X ² Coefficient | 0 - 1,000,000 |
| 40440-40441 | X ¹ Coefficient | 0 - 1,000,000 |
| 40440-40441 | X ⁰ Coefficient | 0 - 1,000,000 |

Chapter 4: Maintenance

• General Care

Your PT-500 series pressure transmitter is very low maintenance and will need little care as long as it is installed correctly. However, in general, you should:

- For process connected sensors, keep the transmitter and the area around it generally clean.
- Avoid applications for which the transmitter was not designed, such as extreme temperatures, contact with incompatible corrosive chemicals, or other damaging environments.
- Inspect the threads whenever you remove the transmitter from duty or change its location.
- Avoid touching the diaphragm. Contact with the diaphragm, especially with a tool, could permanently shift the output and ruin accuracy.
- Clean the diaphragm or the diaphragm bore with extreme care. If using a tool is required, make sure it does not touch the diaphragm.

i **IMPORTANT:** Any contact with the diaphragm can permanently damage the sensor. Use extreme caution.

• Vent Tube Drying

Condensation in the vent tube can damage the electronics in your sensor, resulting in unreliable readings. BinMaster offers two methods of preventing vent tube condensation: a venting cap, and a desiccant drying cartridge.

The venting cap is a PVC tube with a hydrophobic patch that allows moisture to pass out of the tube without allowing water in (See Figure 4.1). The cap is sealed by an o-ring, and is easily installed in the field.

The desiccant drying cartridge with vent tube adapter absorbs any moisture in the vent tube to keep vapor from condensing (See Figure 4.2). The installation of the desiccant drying cartridge is quick and easy. Common installation methods are cable tie, Velcro, and cable clamps.


i **IMPORTANT:** Do NOT use desiccant cartridge in the presence of vapors or liquids containing phosphate esters, synthetic lubricants, hydrocarbon solvents, methanol, acetone, lacquer solvents, or other organics.



Figure 4.1



Figure 4.2

 NOTE: Desiccant crystals change from blue to pink as they become saturated. Cartridge must be replaced when all crystals have saturated.

• **Repair and Returns**

Should your PT-500 series pressure transmitter require service, please contact the factory. We will issue you a Return Material Authorization (RMA) number with instructions.

- Phone: 402-434-9102
- Email: info@binmaster.com

Please have your PT-500's part number and serial number available. See Warranty and Warranty Restrictions for more information.

BINMASTER

®

402-434-9102 • www.binmaster.com • info@binmaster.com