

# MNU Series Ultrasonic Sensor



## Liquid Level Sensor

The MNU series sensors utilize standard Modbus RTU protocol (RS-485). The MNU is designed to work as a slave device. With the ability to measure volume and distance, the MNU is the ideal sensor for many applications.

### Features

- Ranges from 4 inches - 40 feet
- Self-contained sensor
- RS-485 Modbus RTU interface
- Measures distance, level, or volume
- Internal temperature compensation

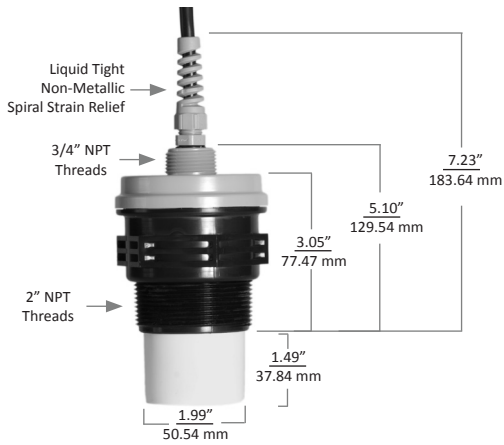
**BINMASTER**

7201 N. 98th St. | Lincoln, NE 68507  
800.278.4241 | 402.434.9102  
Fax: 402.434.9133  
[www.binmaster.com](http://www.binmaster.com) | [info@binmaster.com](mailto:info@binmaster.com)

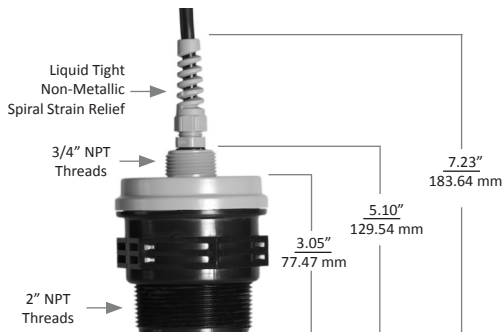


# MNU Specifications

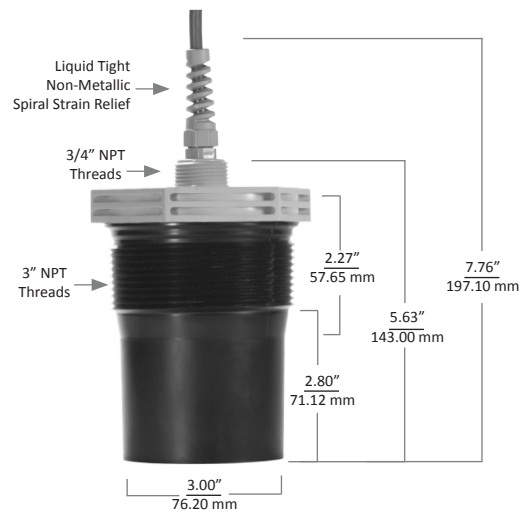
MNU-6424 & 2424



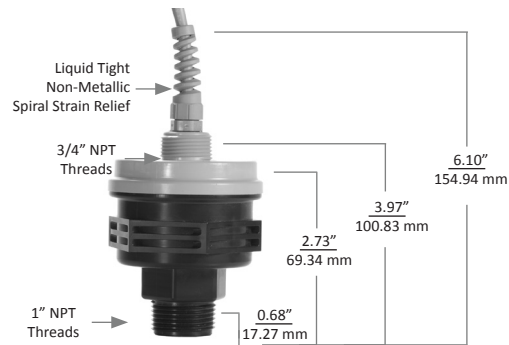
MNU-7424/5424



MNU-3434



MNU-5414



## Performance

- Operating Range:
  - MNU-5414: 4 - 79 in (101 - 2007 mm)
  - MNU-5424: 4 - 79 in (101 - 2007 mm)
  - MNU-7424: 6 - 144 in (152 - 3657 mm)
  - MNU-6424: 7 - 180 in (178 - 4572 mm)
  - MNU-2424: 1 - 25 ft (0.30 - 7.62 m)
  - MNU-3434: 1.5 - 40 ft (0.46 - 12.19 m)
- Beam Pattern: 90° off axis
- Internal Temperature Compensation
- Frequency:
  - 43 kHz (MNU-3434), 69 kHz (MNU-6424, 2424)
  - 90 kHz (MNU-7424), 170 kHz (MNU-5414)
- Accuracy: ±0.25% of detected range
- Resolution: 0.1 in. (2.5 mm)
- Response Time: Programmable

## Connectivity

- Output: Modbus RTU (RS-485)

## Environmental

- Ratings: NEMA 6P
- Operating Temp: -30° - 140°F (-34° - 60°C)

## Electrical

- Total Current Draw: 22 mA
- Wiring Connection:
  - 4-conductor twisted-pair cable
  - 4-pin micro-connector

## Programming

- Interface with RS-485 Modbus RTU
  - Windows compatible software can be provided to adjust internal parameters.
- User selected units of measure

## Physical

- PC/PBT blend upper housing
- Transducer Type: Ceramic, PVDF faced

## Certification

- NEMA 6P