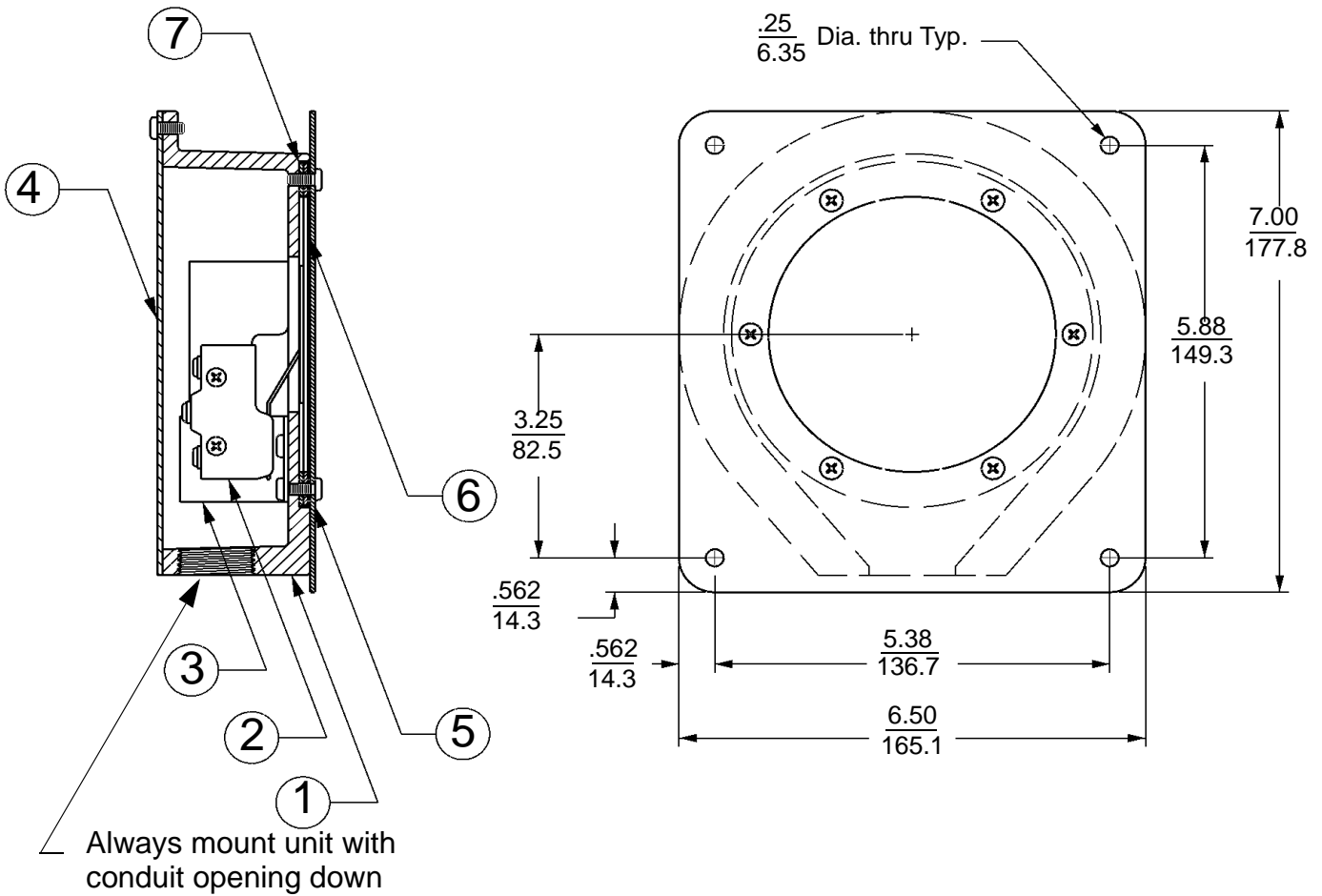




Taking Control . . . To A Higher Level

BM45 F, FH, FHT General Purpose Diaphragm



Parts list appears on back



Division of Garner Industries
7201 No. 98th Street P. O. Box 29709
Lincoln, NE 68507 Lincoln, NE 68529
(402) 434-9102 Fax (402) 434-9133
www.binmaster.com



Taking Control . . . To A Higher Level

BM45 F, FH, FHT General Purpose Diaphragm

<u>Item</u>	<u>Part No.</u>	<u>Description</u>
1	220-0022	Cast Aluminum Enclosure
2	530-0016 530-0042	Micro Switch Assembly (BM45F) Micro Switch Assembly (BM45 FH, FHT)
3	205-0024	Micro Switch Mounting Bracket
4	270-0025	Back Plate
5	270-0024	Front Mounting Plate
6	225-0003 225-0004 225-0005	Neoprene Diaphragm (BM45 F) Heavy Neoprene Diaphragm (BM45 FH) Silicone Diaphragm (BM45FHT)
7	280-0004	Gasket Ring

Unit illustration with key appears on back



Division of Garner Industries
7201 No. 98th Street P. O. Box 29709
Lincoln, NE 68507 Lincoln, NE 68529
(402) 434-9102 Fax (402)434-9133
www.binmaster.com