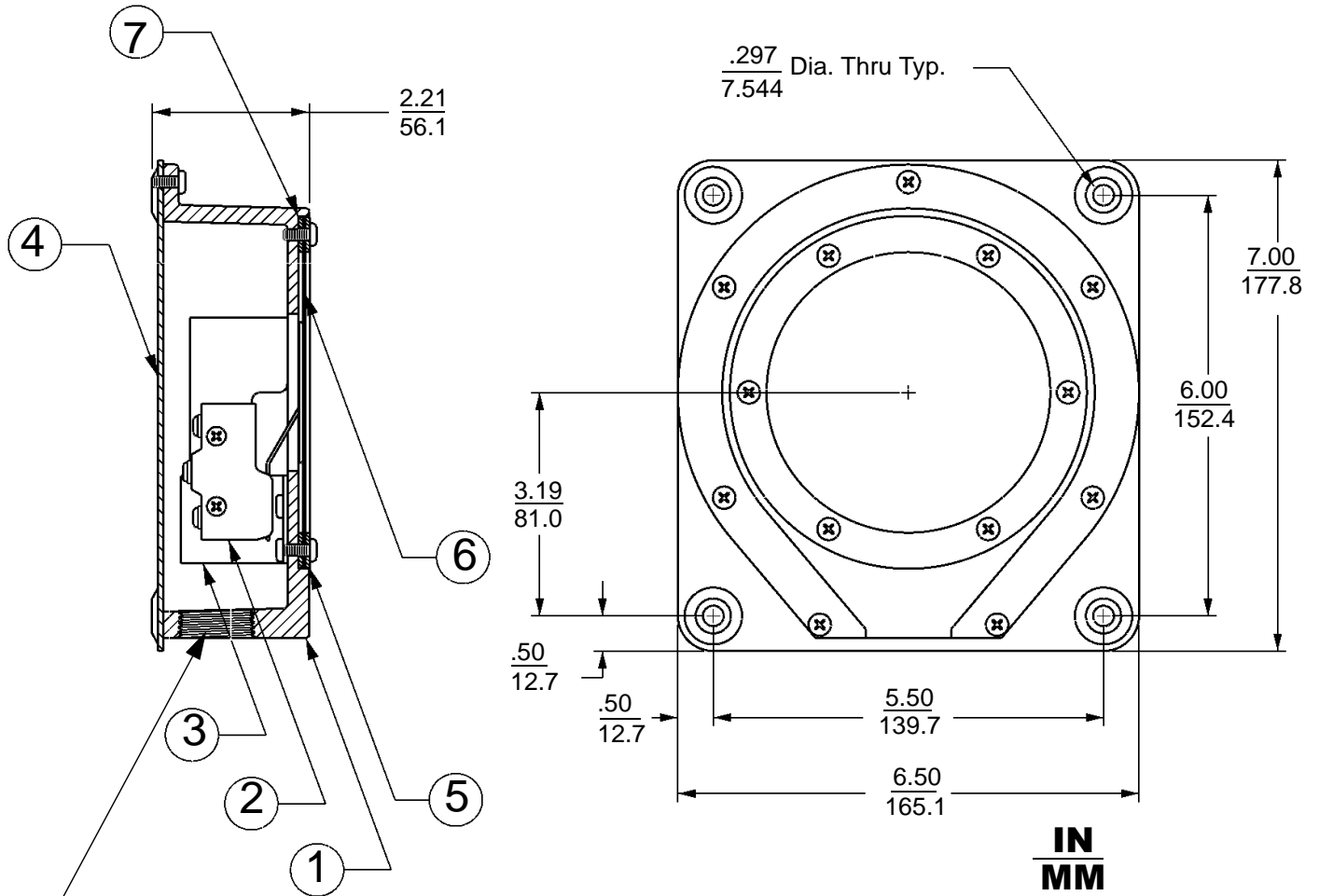


BINMASTER

Taking Control . . . To A Higher Level

BM45 R, RH, RHT General Purpose Diaphragm



BINMASTER

9270096.fm
9270081.dgn

Division of Garner Industries
7201 No. 98th Street P. O. Box 29709
Lincoln, NE 68507 Lincoln, NE 68529
(402) 434-9102 Fax (402) 434-9133
www.binmaster.com



Taking Control . . . To A Higher Level

BM45 R, RH, RHT General Purpose Diaphragm

<u>Item</u>	<u>Part No.</u>	<u>Description</u>
1	220-0021	Cast Aluminum Enclosure
2	530-0016 530-0042	Micro Switch Assembly (BM45 R) Micro Switch Assembly (BM45 RH, RHT)
3	205-0024	Micro Switch Mounting Bracket
4	270-0023	Backing Mounting Plate
5	275-0010	Diaphragm Retaining Ring
6	225-0003 225-0004 225-0005	Neoprene Diaphragm (BM45 R) Heavy Neoprene Diaphragm (R45 RH) Silicone Diaphragm (BM45 RHT)
7	280-0004	Gasket Ring

Unit illustration with key appears on back



Division of Garner Industries
7201 No. 98th Street P. O. Box 29709
Lincoln, NE 68507 Lincoln, NE 68529
(402) 434-9102 Fax (402)434-9133
www.binmaster.com