



Taking Control . . . To A Higher Level

BM65 F, FH, FHT

Explosion Proof Parts list

<u>Item</u>	<u>Part No.</u>	<u>Description</u>
1	220-0017	Cast Aluminum Enclosure
2	530-0017	Micro Switch Assembly (BM65 F)
	530-0044	Micro Switch Assembly (BM65 FHT)
	530-0222	Micro Switch Assembly (BM65 FH)
3	270-0062	Back Plate
4	270-0022	Front Mounting Plate
5	416-0046	Plunger Assembly
6	225-0003	Neoprene Diaphragm (BM65F)
	225-0004	Heavy Neoprene Diaphragm
	225-0005	Silicone Diaphragm (BM65 FHT)
	225-0027	1/6 Neoprene Diaphragm (BM65 FH)
7	280-0004	Gasket Ring
	280-0057	Gasket Ring (BM65 FH)

Unit illustration with item key appears on back



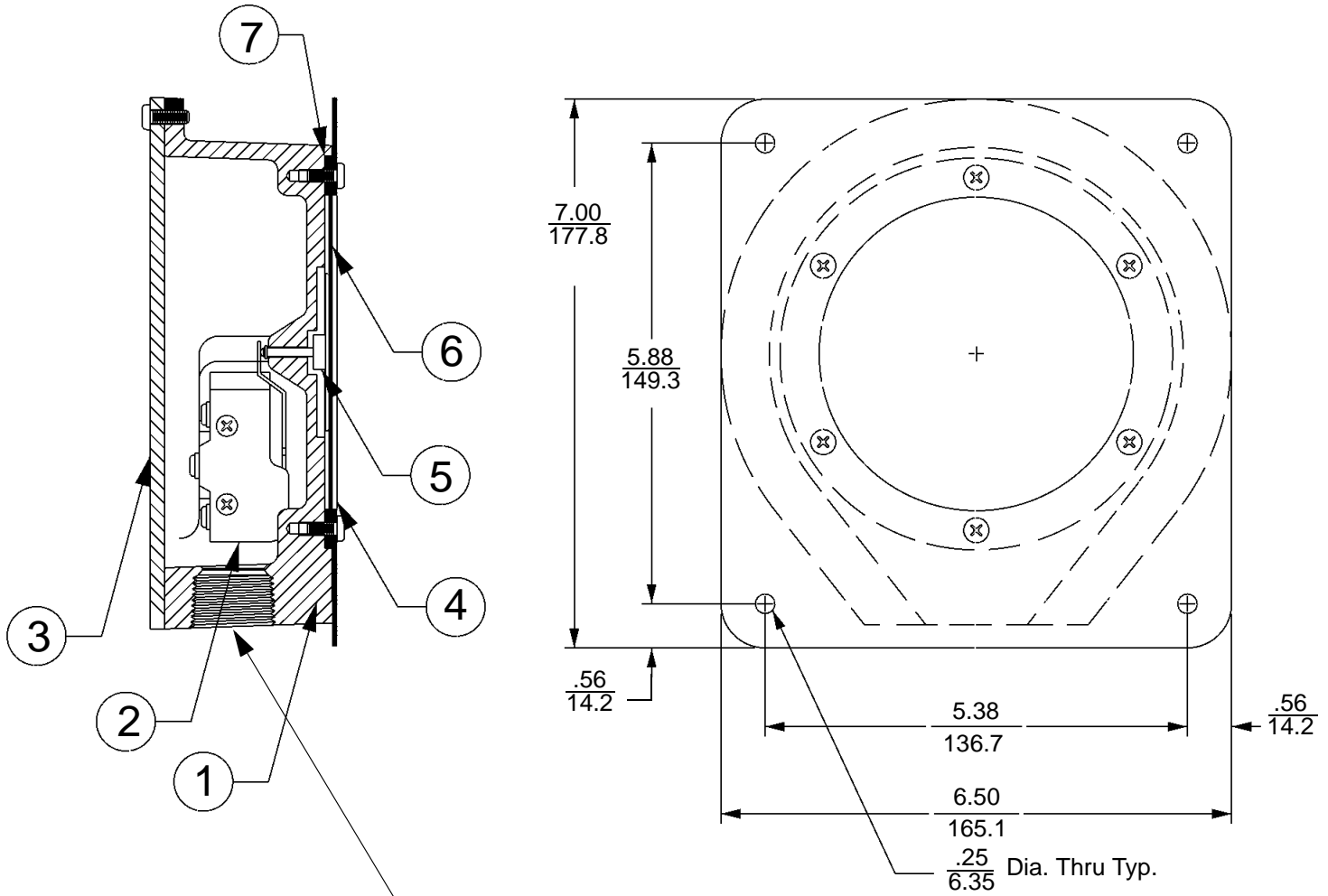
Division of Garner Industries
7201 No. 98th Street P. O. Box 29709
Lincoln, NE 68507 Lincoln, NE 68529
(402) 434-9102 Fax (402)434-9133
www.binmaster.com



Taking Control . . . To A Higher Level

BM65 F, FH, FHT

Explosion Proof Diaphragm



Parts list appears on back



Division of Garner Industries
 7201 No. 98th Street P. O. Box 29709
 Lincoln, NE 68507 Lincoln, NE 68529
 (402) 434-9102 Fax (402) 434-9133
 www.binmaster.com