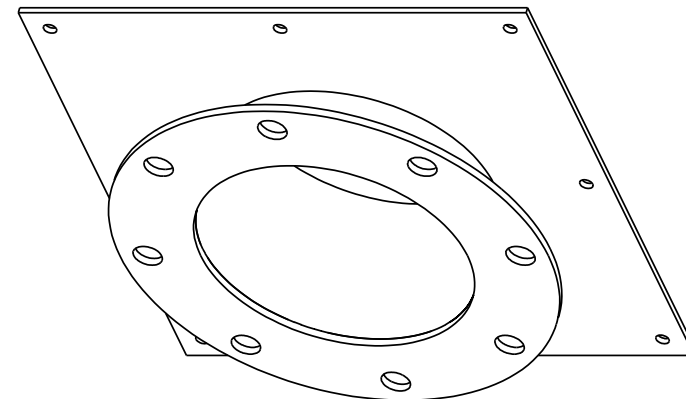
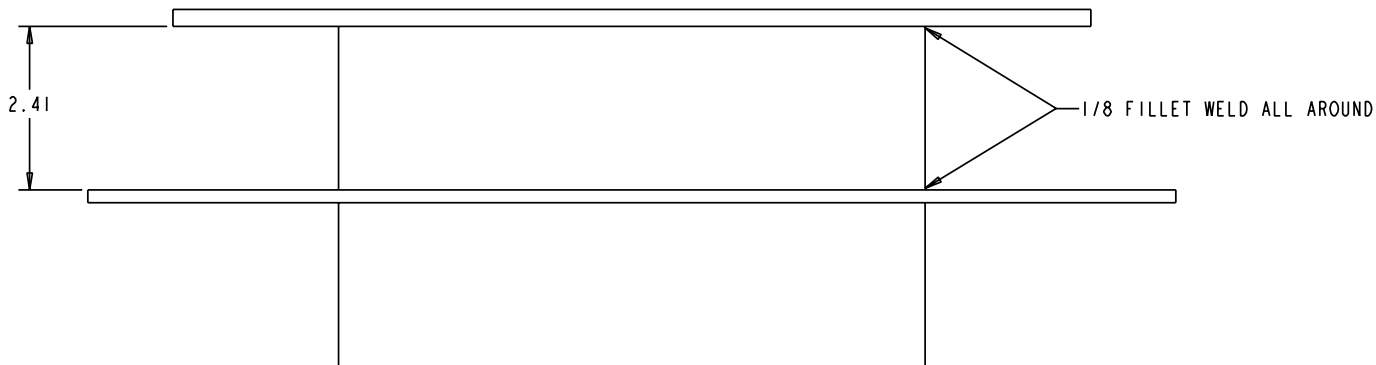


This drawing is the property of Garner Industries. It is issued in confidence on the condition that it is to be returned on request and that it is not to be copied or reproduced in any way, or used in the manufacture of the subject matter thereof without the written consent of Garner Industries

ITEM	PART No.	DESCRIPTION	QTY.	MATERIAL
1	2990794	TUBE	1	
2	2700122	PLATE	1	
3	2990796	FLANGE	1	



SCALE 0.380



NOTES:

1. FINISH: PCT 70127 POLYESTER POWDER COAT
2. COLOR: AMERICAN METER GRAY
3. NO MASKING REQUIRED
4. TIME HOLES AS SHOWN

TOLERANCES ARE NOT ACCUMULATIVE

TITLE: MOUNT ASS'Y, 0 DEG. 3D SCANNER				SIZE: C	REV.	SHEET 1 OF 1
DESIGNED	SJS	7-15-10		DO NOT SCALE DRAWING		
DRAWN	SJS	7-15-10		DWG. NO. 4160571		
CHECKED			7201 North 80th Street Lincoln, NE 68607-0741			
ENG.						

SYM.	REVISION	APPR.	DATE