

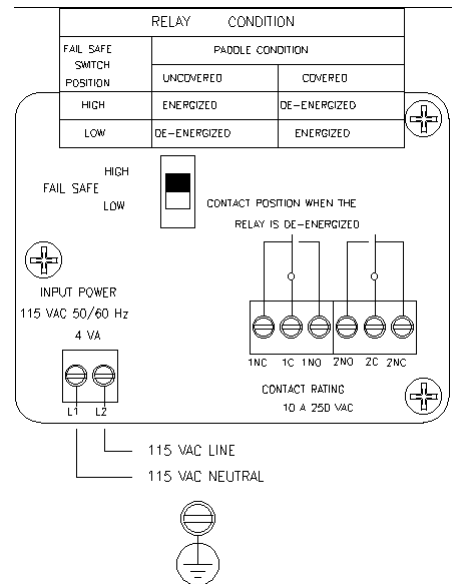
# BINMASTER®

*Taking Control . . . To A Higher Level*

## MOTOR REPLACEMENT INSTRUCTIONS

### ROTARY BIN LEVEL INDICATORS GRD and GRDX

1. Disconnect all power to the rotary unit. Remove the cap from the enclosure.
2. Remove the three machine screws that hold the circuit board to the enclosure.
3. Disconnect the two motor leads from the circuit board and set aside (**be careful not to bend the whisker level arm on the limit switch**).
4. Remove and discard the phillips head screw and washer that mount the motor to its mounting plate. Remove the square brass spacer and washer (discard washer) from the other side of the motor.
5. Using the new phillips screw and washers that came in the kit along with the brass spacer, reinstall the motor to the mounting plate. Make sure that the flats on the motor shaft fit correctly into the slots in the rotary shaft.  
**CAUTION: Do not over tighten the two motor mounting screws. Over tightening may strip the screw threads.**
6. Reconnect the motor leads to the circuit board.
7. Making sure that the limit switch whisker level arm is on the outside of the brass spacer, reinstall the circuit board to the enclosure.
8. By hand, rotate the motor shaft and listen for the switch to click open and reset. If the switch does not open and reset, you can adjust the switch by bending the lever arm or loosening and repositioning the circuit board.
9. Reconnect power to the rotary as shown in the diagram and check to see that the rotary is working correctly.
10. Replace the cover and secure with the 1/4 bolts.



# BINMASTER®

Division of Garner Industries  
7201 No. 98th Street P. O. Box 29709  
Lincoln, NE 68507 Lincoln, NE 68529  
(402) 434-9102 Fax (402) 434-9133  
www.binmaster.com