

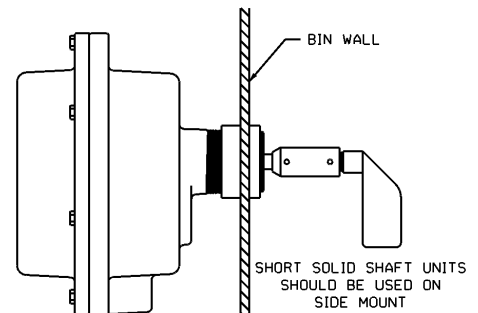
### TOP MOUNT

1. Locate and cut hole in top of bin to fit outside diameter of 1 1/4" pipe coupling (1.950).
2. Position coupling halfway into bin and weld.
3. Turn unit so conduit opening is in desired location.
4. Add 1/4" extension pipe to desired length with standard 1/4" coupling on bottom end.
5. Cut 1 1/4" support pipe approximately 4" shorter than overall length of 1/4" pipe shaft when used with flexible coupling.
6. Insert 1 1/4" pipe into coupling and tighten.
7. Insert paddle into 1/4" coupling and drill holes for lock pins.

### SIDE MOUNT

1. Locate and cut hole in side of bin to fit outside diameter of 1 1/4" pipe coupling.
2. Weld one half of standard 1 1/4" pipe coupling to bin wall flush with inside of bin.
3. Insert hub into coupling and turn to desired conduit position.
4. Screw paddle into place and replace lock pin.
5. Shaft and paddle should be shielded in low level mounting when subjected to material flow.
6. For side mounting, a solid coupler is recommended.

SIDE MOUNT WITH SOLID SHAFT

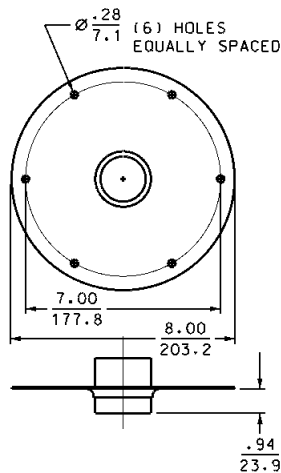


### MOUNTING PLATES

Mounting plates are necessary when a completely assembled unit is to be mounted on the bin wall from the outside. A 5 1/2" hole is cut in the bin. Six bolt holes are drilled around the hole to match the mounting plate. The plate, with the unit attached, is then bolted in place. All mounting plates are available in carbon and stainless steel.

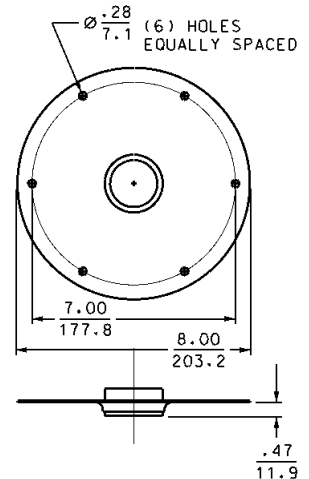
#### Full Coupling

For use with all Rotary level controls. This model is used for top of bin installations where shaft extensions and shaft guards are required.



#### Half Coupling

For use with all Rotary level controls. This model is used primarily for side of bin installations.



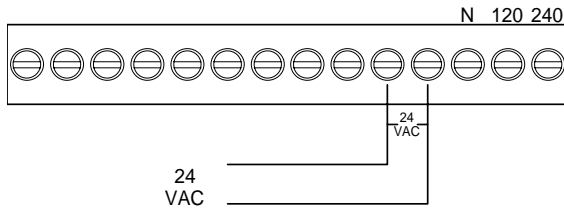
## INSTALLATION ELECTRICAL CONNECTIONS

### INPUT POWER

The MAXIMA can be powered from 24, 120 and 240 VAC supplies. All wiring should conform to national and local codes. An equipment ground should be provided.

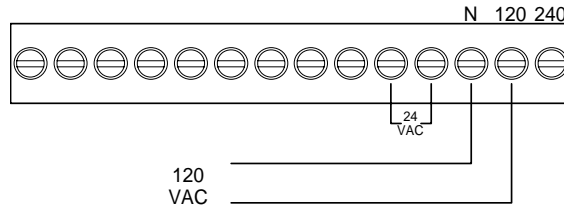
#### To operate on 24 VAC:

Connect the 24 VAC input to the two terminals marked "24 VAC". An equipment ground should be provided.



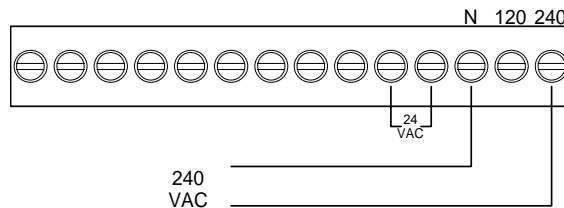
#### To operate on 120 VAC:

Connect the neutral conductor of the 120 VAC input to the "N" terminal. Connect the underground conductor of the 120 VAC source to the "120" terminal. Make no connections to the "24" or "240" terminal.



#### To operate on 240 VAC:

Connect the 240 VAC input to the "N" and "240" terminals. Make no connections to the "24" or "120" terminals.



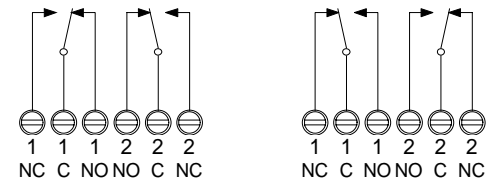
## FAIL-SAFE INDICATOR CONTACTS

The Maxima uses DPDT 16 Amp relay contacts to provide a covered or uncovered indication. This relay can be set for Fail-Safe High or Fail-Safe Low by a selector switch on the printed circuit board. The DPDT terminals "1NC", "1C", "1NO", "2NO", "2C" and :2NC" which represents the state of the relay contacts when the relay is de-energized.

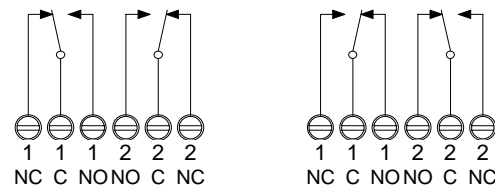
## FAIL-SAFE CONDITION

A Fail-Safe condition means that the relay contact position are set up so that in the event of a power failure the relay will de-energize and the contacts will indicate a condition that is deemed safe for the application.

FAIL SAFE "HIGH" RELAY CONTACT POSITION  
UNCOVERED COVERED



FAIL SAFE "LOW" RELAY CONTACT POSITION  
UNCOVERED COVERED



**FailSafe High** means that the relay will energize when the paddle is uncovered and will de-energize when the paddle is covered. In this mode, a failure will cause the relay contacts to indicate that the paddle is covered, whether it is or not.

**Fail-Safe Low** means that the relay will be de-energized when the paddle is uncovered and will energize when the paddle is covered. In this mode, a failure will cause the relay contacts to indicate that the paddle is uncovered whether it is or not.

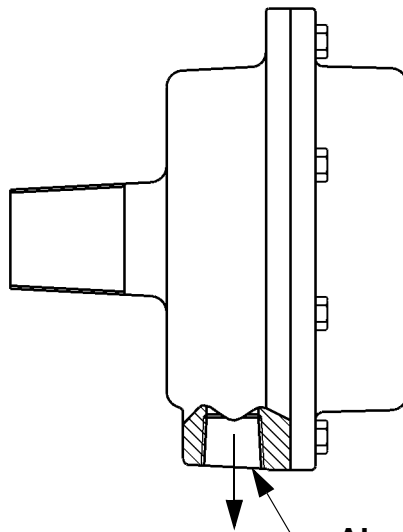
## SUPERVISORY CONTACTS

The supervisory circuitry uses SPDT 10 Amp relay contacts to monitor the operation of the MAXIMA. The supervisory relay is energized when the MAXIMA is operating normally. This circuitry monitors shaft rotation when the paddle is uncovered and monitors the limit switch operation when the paddle is covered.

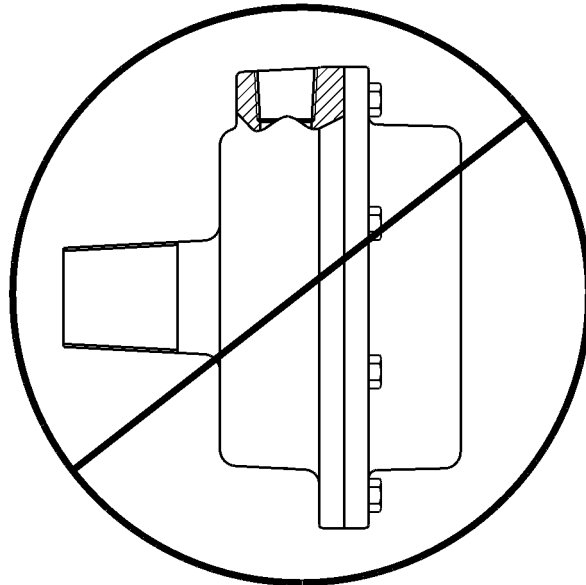
SUPERVISORY RELAY CONTACT POSITION  
NORMAL OPERATION FAULT CONDITION



# Mounting Instructions



Always Mount Unit with Conduit Opening Down



## CONDUIT SEAL

When installing this level indicator in environments where it is possible for moisture or moist air to enter the enclosure thru the electrical conduit, the conduit opening should be sealed with a duct seal compound or putty appropriate for the purpose.

# **BINMASTER**

Division of Garner Industries  
7201 No. 98th Street P. O. Box 29709  
Lincoln, NE 68507 Lincoln, NE 68529  
(402) 434-9102 Fax (402) 434-9133  
[www.binmaster.com](http://www.binmaster.com)