

BINMASTER®

TILT SWITCH MODEL BM – T INSTALLATION INSTRUCTIONS

DESCRIPTION

The Model BM-T is a sensitive tilt switch device that is actuated at an angle of approximately 15 degrees from a suspended vertical position. It's a simple, yet rugged control used for high level or material flow applications. Once tilted, a steel ball will maneuver from its center cavity allowing a micro switch to actuate.

INSTALLATION

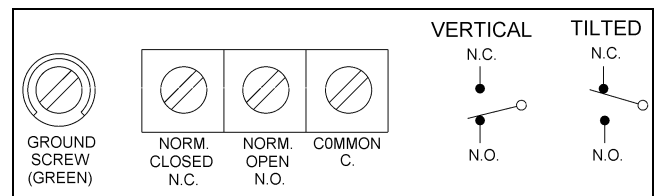
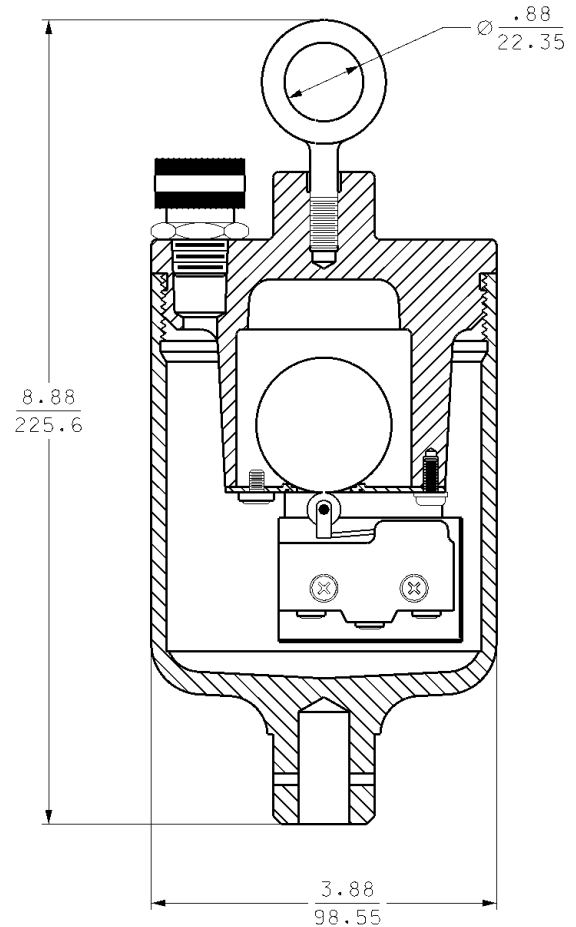
For proper tilt action the tilt switch should be suspended by attaching a steel cable to the provided eyelet. Longer distances should utilize a rigid hanger with enough flexibility at the eyelet to assure appropriate pivot action. An extension with a paddle or sphere is available for increased sensitivity. For this purpose, a 9/16" diameter hole and a 1/8" roll pin are provided. DO NOT SUSPEND TILT SWITCH BY ITS ELECTRICAL CABLE.

WIRING

The tilt switch is provided with a 3/8" threaded opening and liquid tight strain relief accepting a 5/16 to 7/16 inch diameter cord. Type SO or STO cord is recommended.

Micro Switch exposure is achieved by removing cap assembly from the enclosure. (Do not remove the micro switch from it's bracket, as it has been factory adjusted). Wire directly to micro switch terminals as illustrated. Proper ground connection is made to the green screw and cup washer adjacent to the micro switch.

In the vertical position, the micro switch is held in an operated position, the NC contact is open and the NO contact is closed. When tilted, the micro switch is released, the NC contact is closed and the NO contact is open.



BINMASTER®

Division of Garner Industries
7201 N. 98th St. P.O.Box 29709
Lincoln, NE 68507 Lincoln, NE 68529
(402) 434-9102 Fax: (402) 434-9133
www.binmaster.com Email: info@binmaster.com